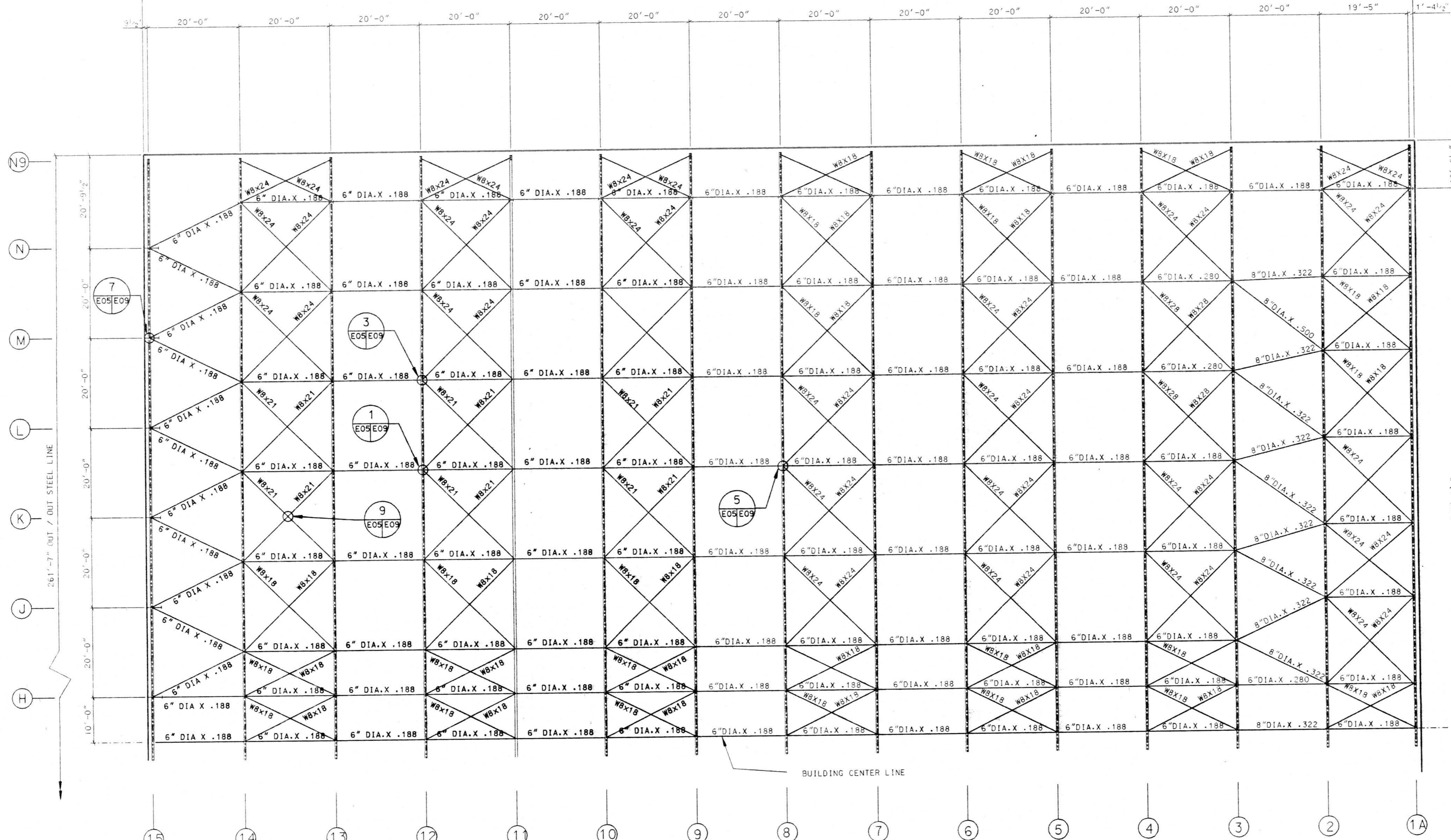


281'-7" OUT / OUT STEEL LINE



SUBMITTAL REVIEW	
<input type="checkbox"/>	APPROVED
<input checked="" type="checkbox"/>	OTHER:
<input type="checkbox"/>	APPROVED AS NOTED
<input type="checkbox"/>	RETURN FOR RESUBMITTAL
<input type="checkbox"/>	DISAPPROVED - SEE REMARKS

Review is only for conformance with the design concept and with the information shown in the contract documents. The contractor remains responsible for compliance with all requirements of the contract documents.

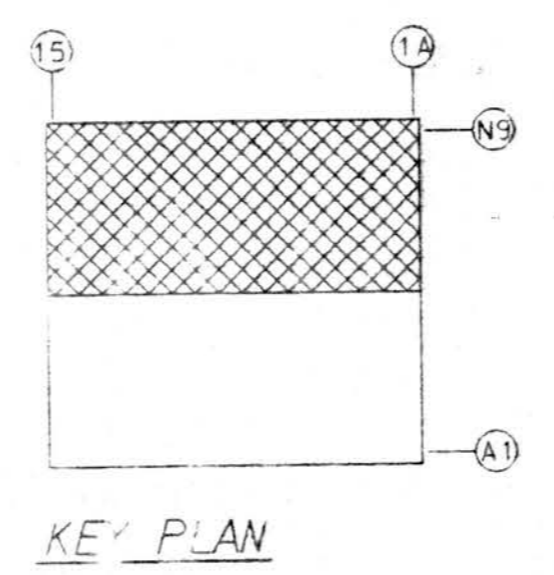
FRANKFURT • SHORT • BRUZA ASSOCIATES, P.C.
By: *[Signature]* Date: APR 28 1994

SUBMITTAL NO. 5-9126-BDDA-01-02



PARTIAL ROOF TOP CHORD BRACING PLAN

REFER TO SHEET E-01 & E-02 FOR BALANCE OF ROOF FRAMING / SECONDARY MEMBER PLAN
 REFER TO SHEET E-03 & E-04 FOR PARTIAL ROOF JOIST LAY-OUT AND PLAN
 REFER TO SHEET E-06 FOR PARTIAL PRIMARY MEMBER / TOP CHORD BRACING PLAN
 REFER TO SHEET E-07 & E-08 FOR PARTIAL BOTTOM CHORD BRACING PLAN



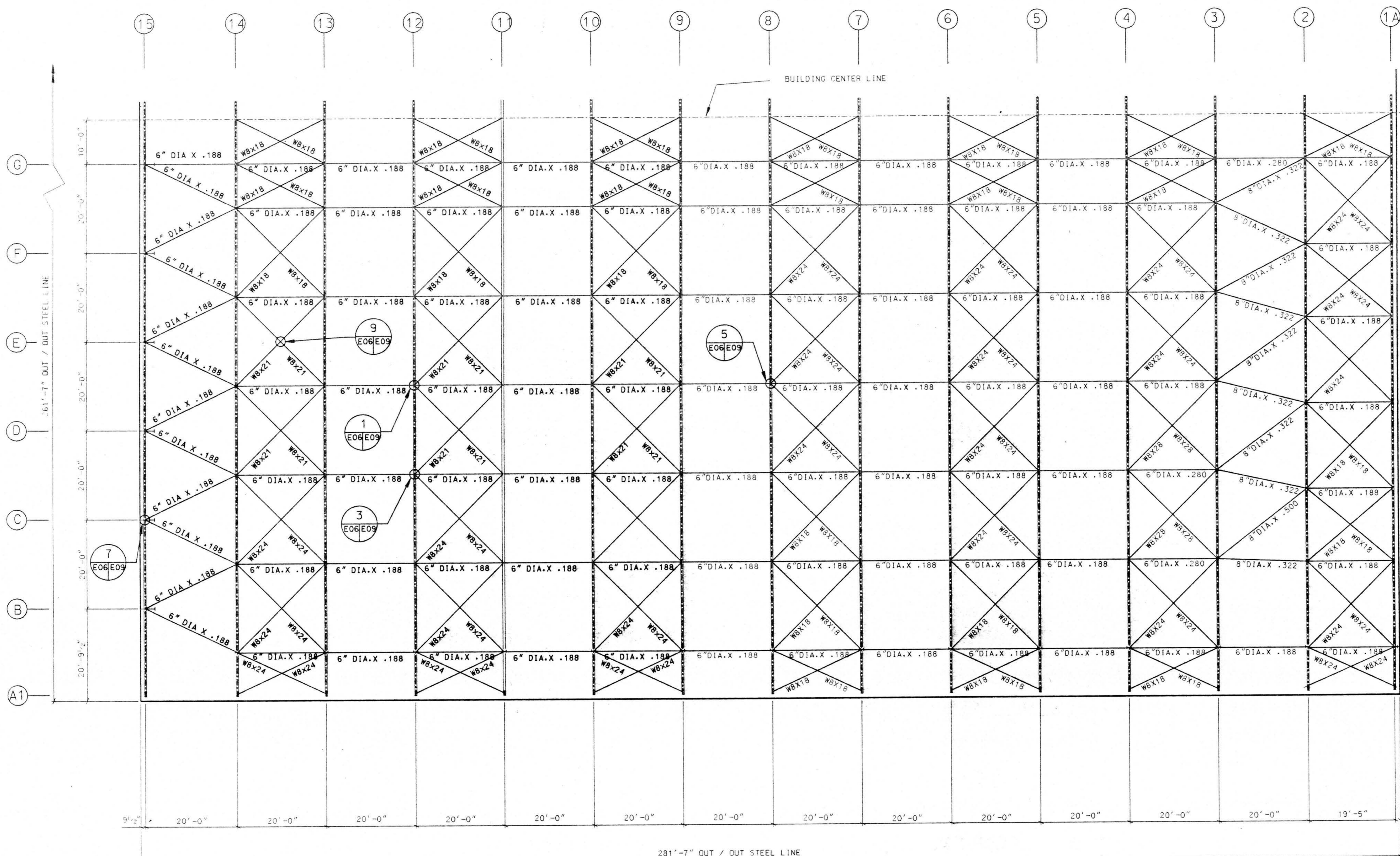
NO.	REVISION	MADE	CHK'D	DATE
A	FOR APPROVAL	LMC		3/94

AMERICAN BUILDINGS COMPANY
Heavy Fabrication Division
Bellaire, Texas

© Copyright 1994
American Buildings Company
All Rights Reserved

Builder: Seattle Construction Services, Inc.
 Owner: Alaska Industrial Development and Export Authority
 Building: Line Maintenance Hangar
 Location: Anchorage, Alaska

DRAWN BY: LMC JOB NO. 51-9290
 CHECKED BY: DATE 2/94 DWG. E-05



SUBMITTAL REVIEW	
<input type="checkbox"/>	APPROVED
<input type="checkbox"/>	OTHER
<input checked="" type="checkbox"/>	APPROVED AS NOTED
<input type="checkbox"/>	RETURN FOR RESUBMITTAL
<input type="checkbox"/>	DISAPPROVED - SEE REMARKS

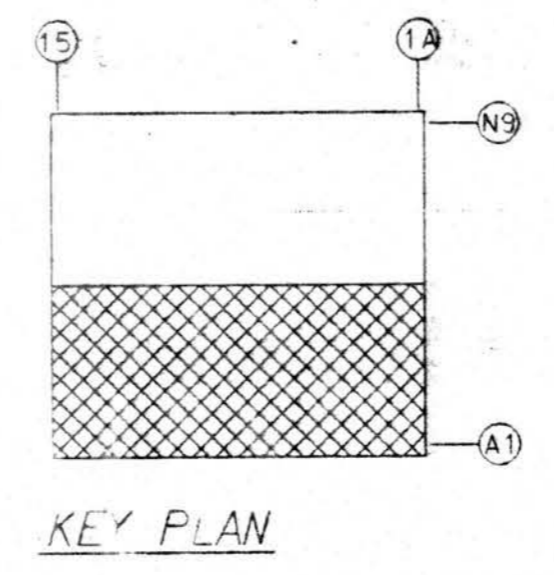
Review is only for conformance with the design concept and with the information given in the contract documents. The contractor remains responsible for compliance with all requirements of the contract documents.

FRANKFURT • SHORT • BRUNN • ASSOCIATES, P.C.
By: [Signature] Date: MAR 26 1994
SUBMITTAL NO. 9126-13120A-02



PARTIAL ROOF TOP CHORD BRACING PLAN

REFER TO SHEET E-01 & E-02 FOR BALANCE OF ROOF FRAMING / SECONDARY MEMBER PLAN
 REFER TO SHEET E-03 & E-04 FOR PARTIAL ROOF JOIST LAY-OUT AND PLAN
 REFER TO SHEET E-05 FOR PARTIAL PRIMARY MEMBER / TOP CHORD BRACING PLAN
 REFER TO SHEET E-07 & E-08 FOR PARTIAL BOTTOM CHORD BRACING PLAN



NO.	REVISION	MADE	CHK'D	DATE
A	FOR APPROVAL	LMC		3/94

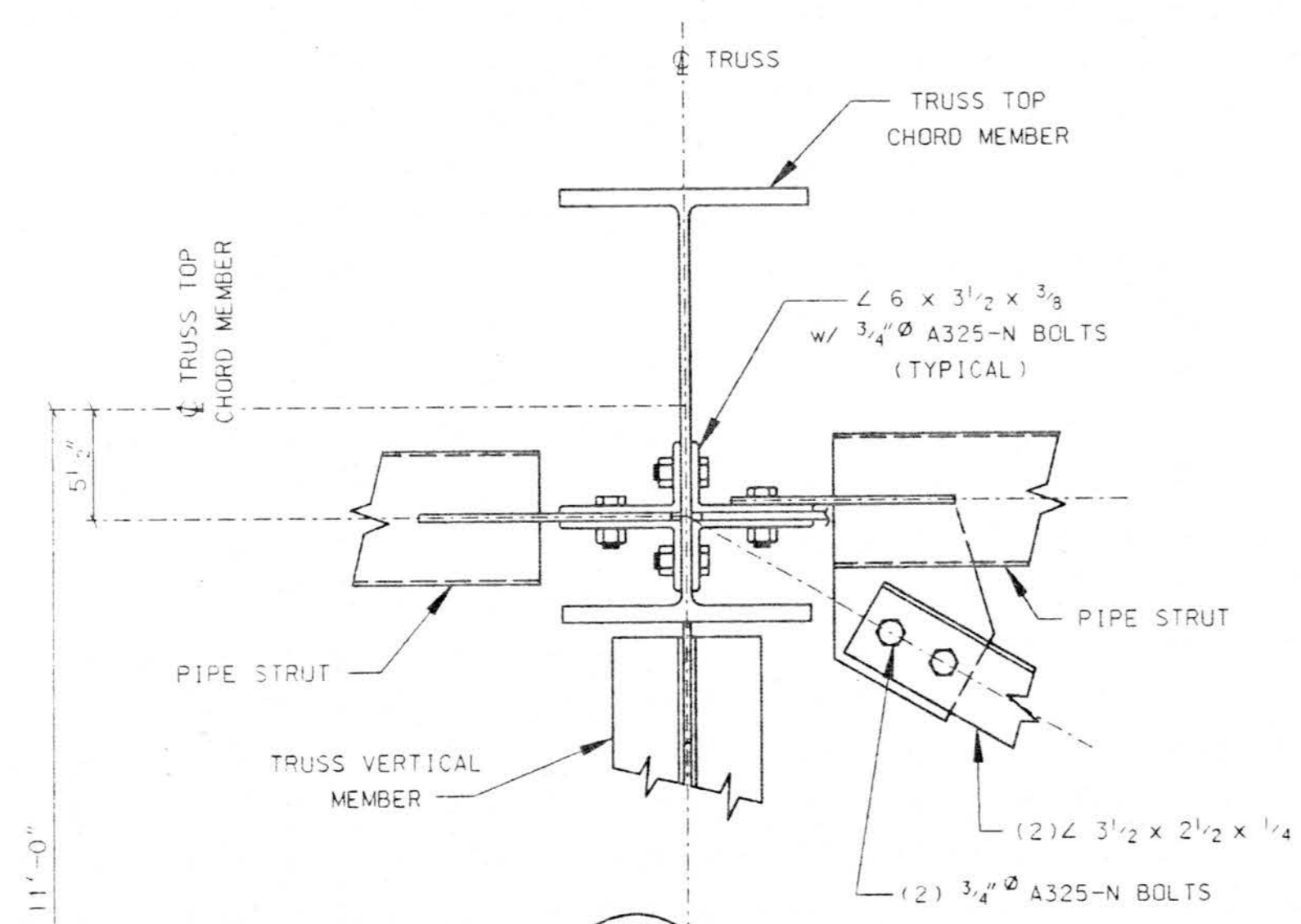


© Copyright 1994
 American Buildings Company
 All Rights Reserved

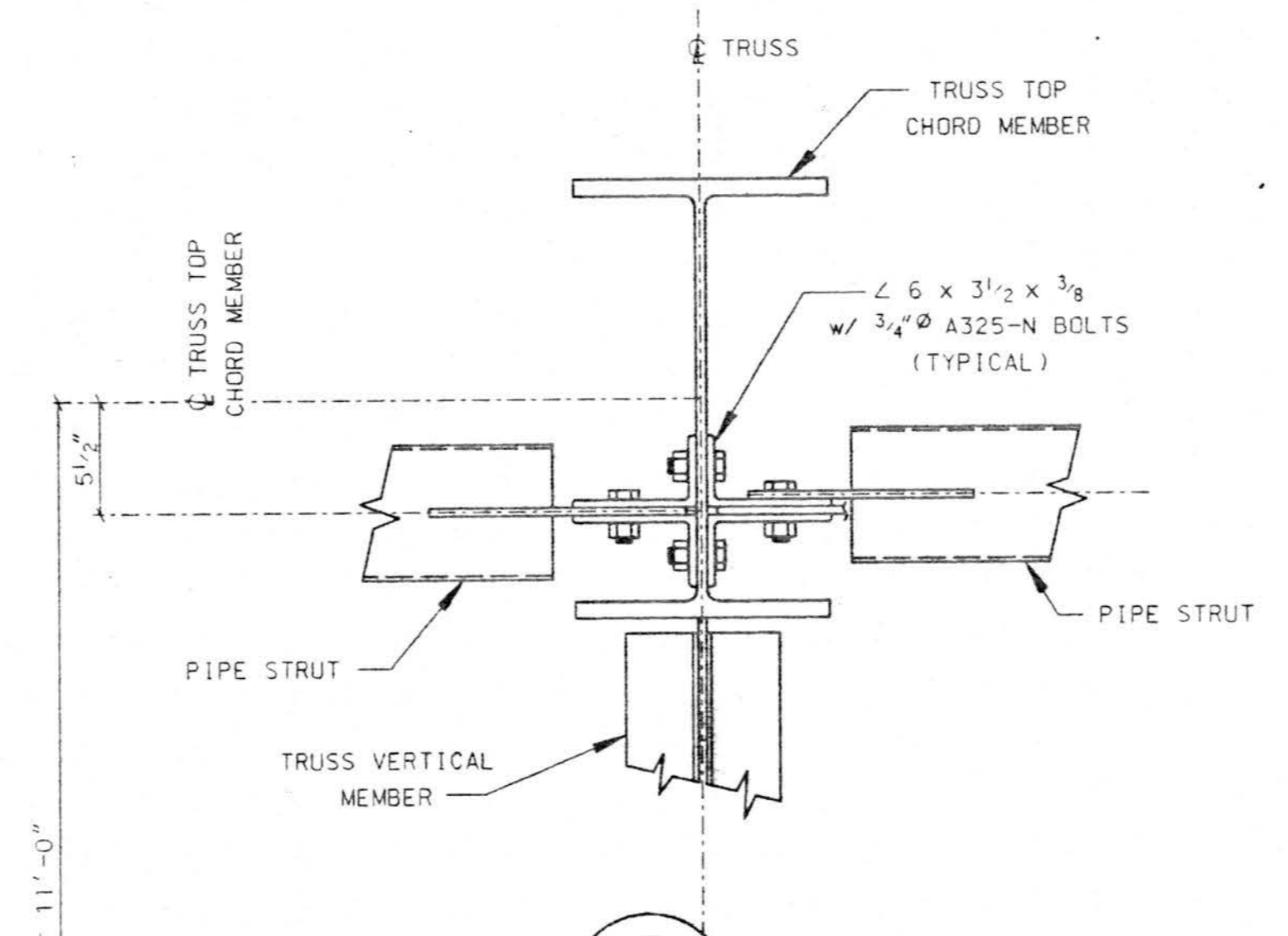
Builder: Seattle Construction Services, Inc.
 Owner: Alaska Industrial Development and Export Authority

Building: Line Maintenance Hangar
 Location: Anchorage, Alaska

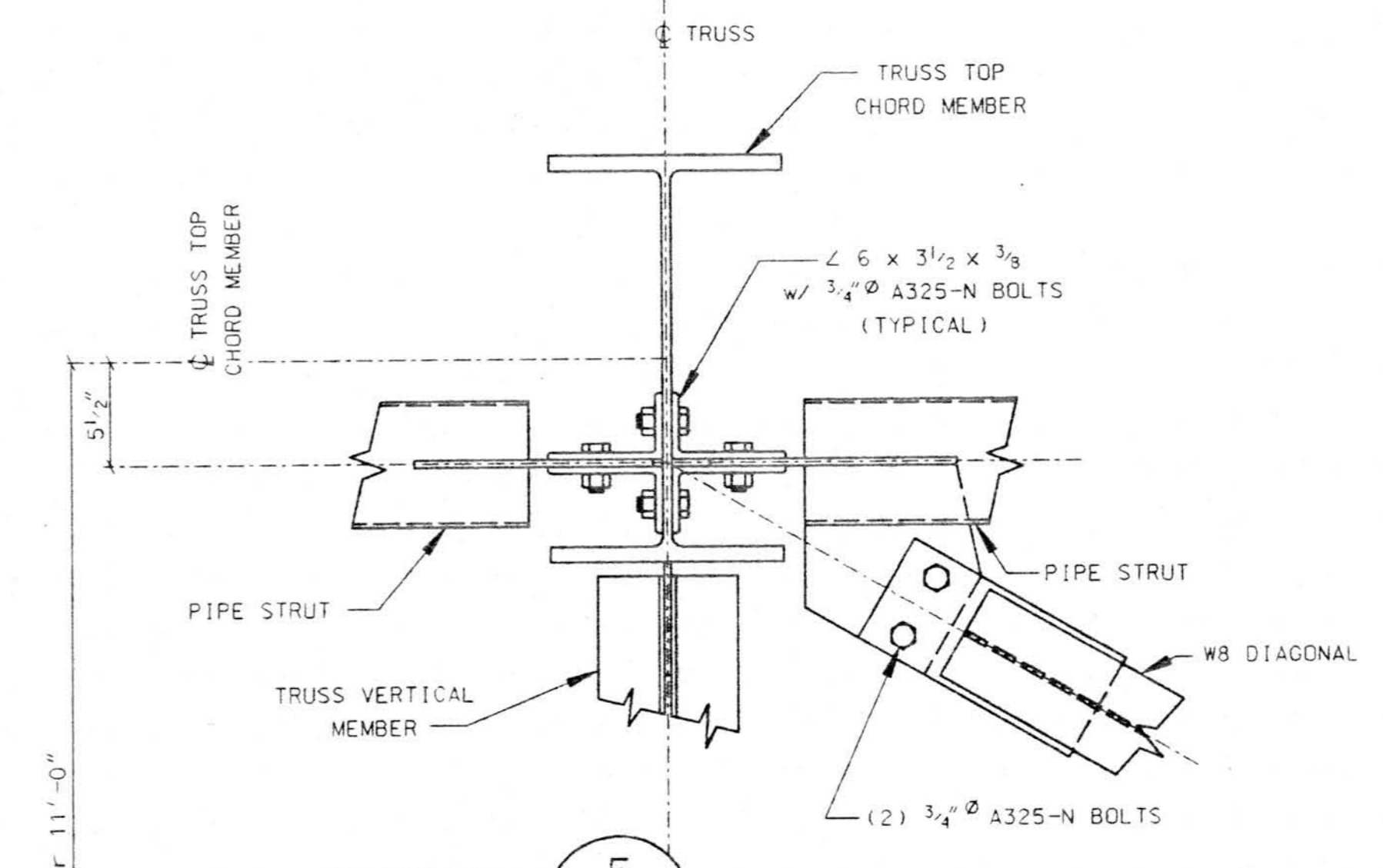
DRAWN BY: LMC JOB NO. 51-9290
 CHECKED BY: LIL 85393 DATE 2/94 DWG. E-06



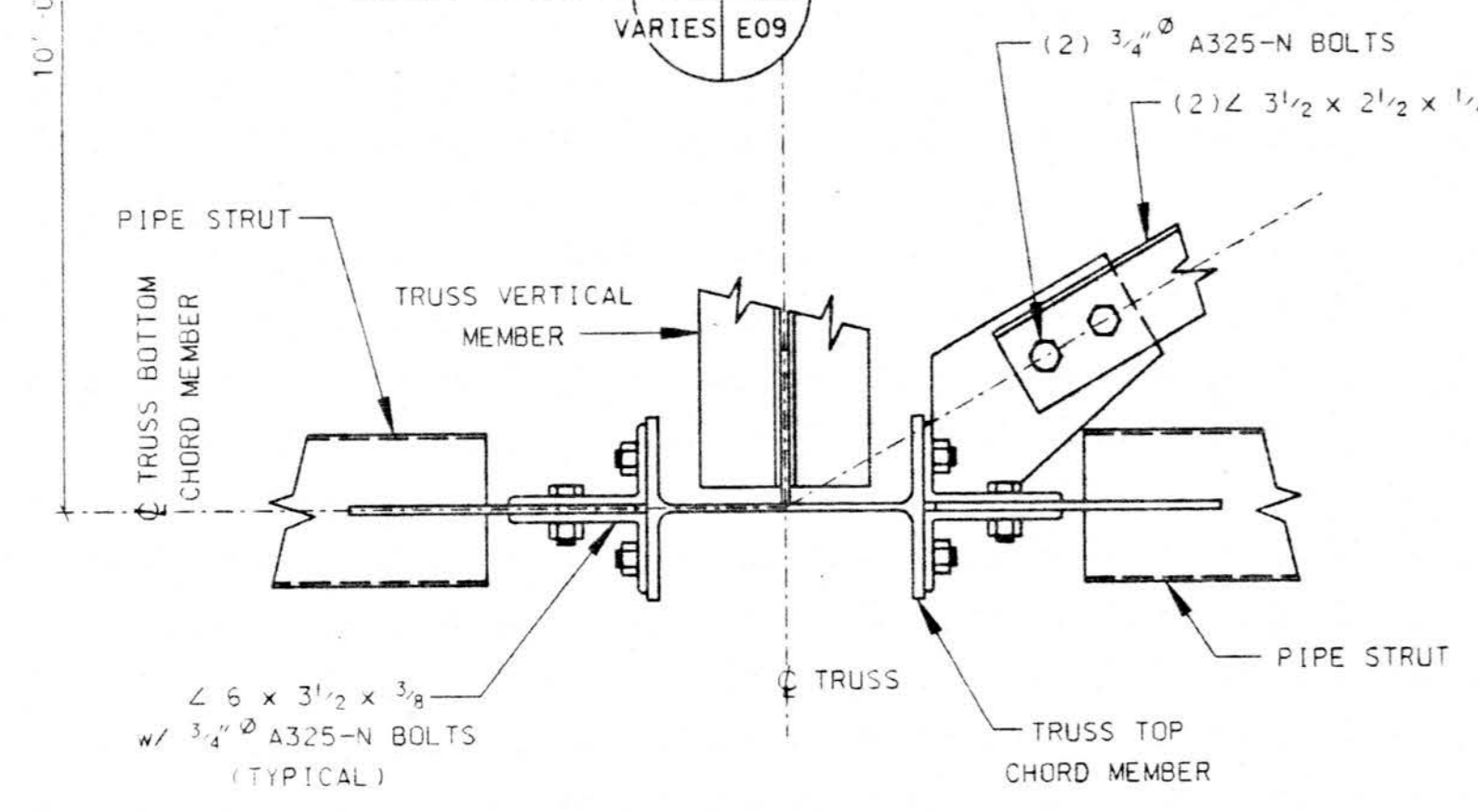
SECTION 1
VARIES E09



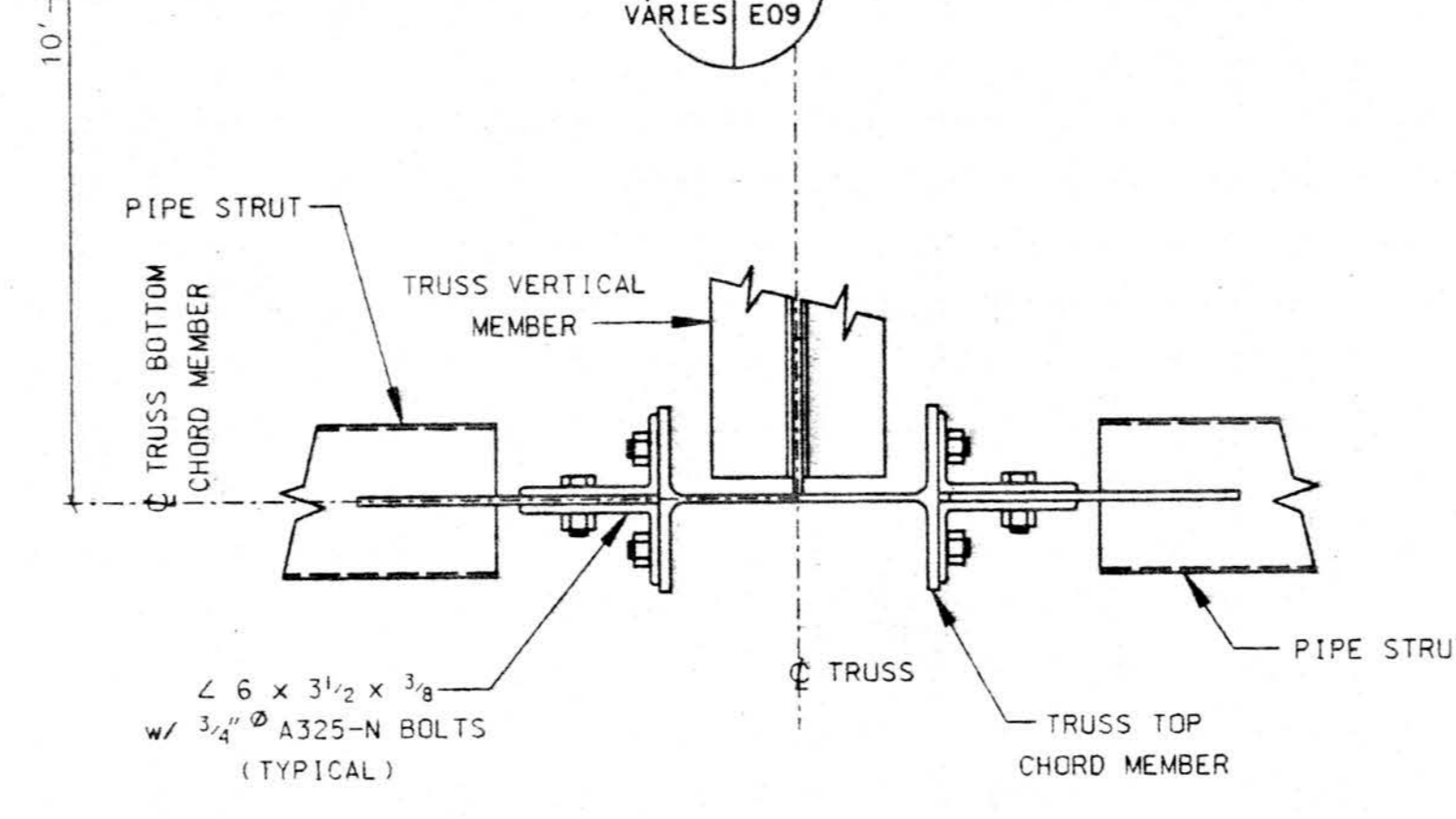
SECTION 3
VARIES E09



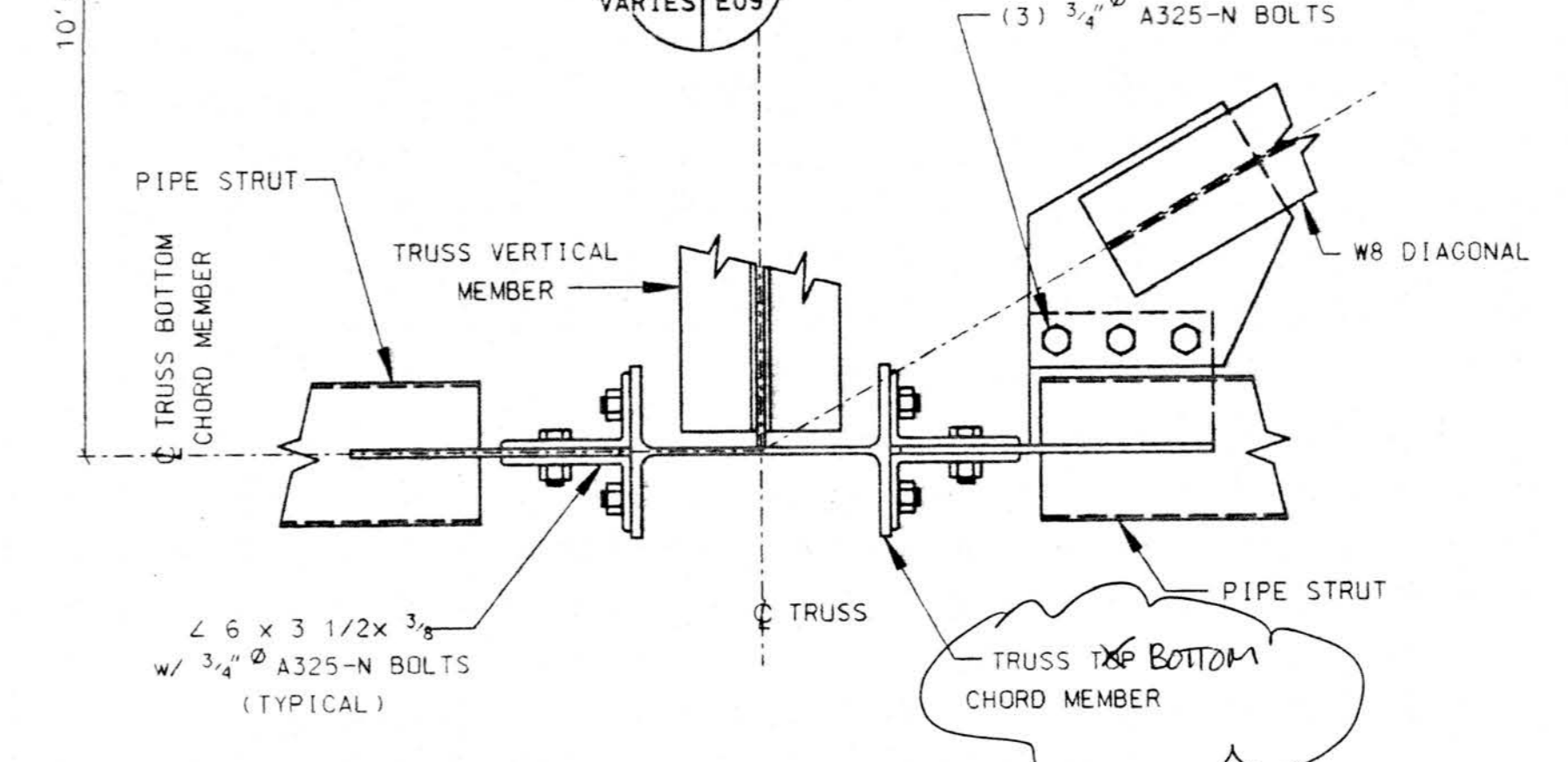
SECTION 5
VARIES E09



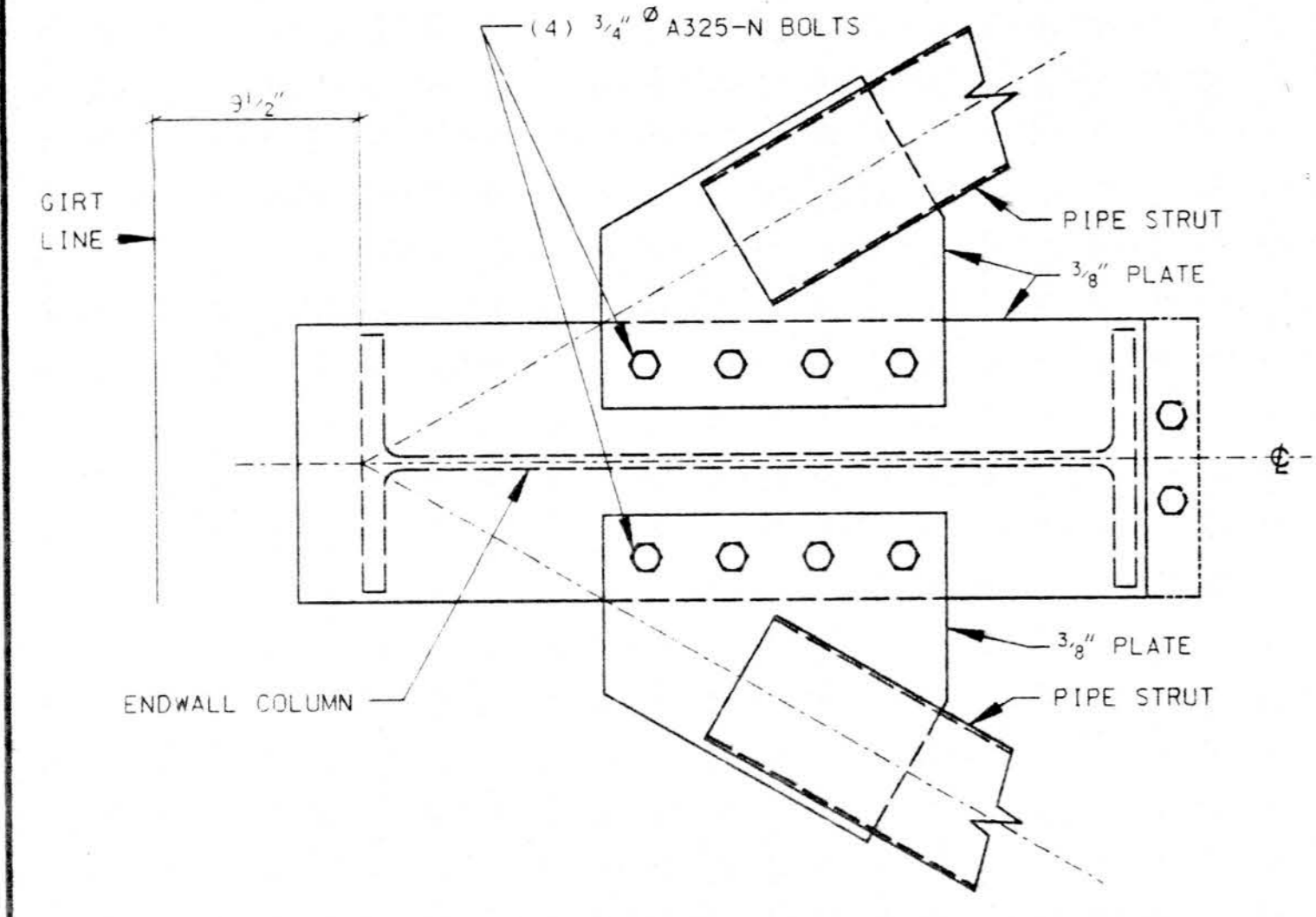
SECTION 2
VARIES E09



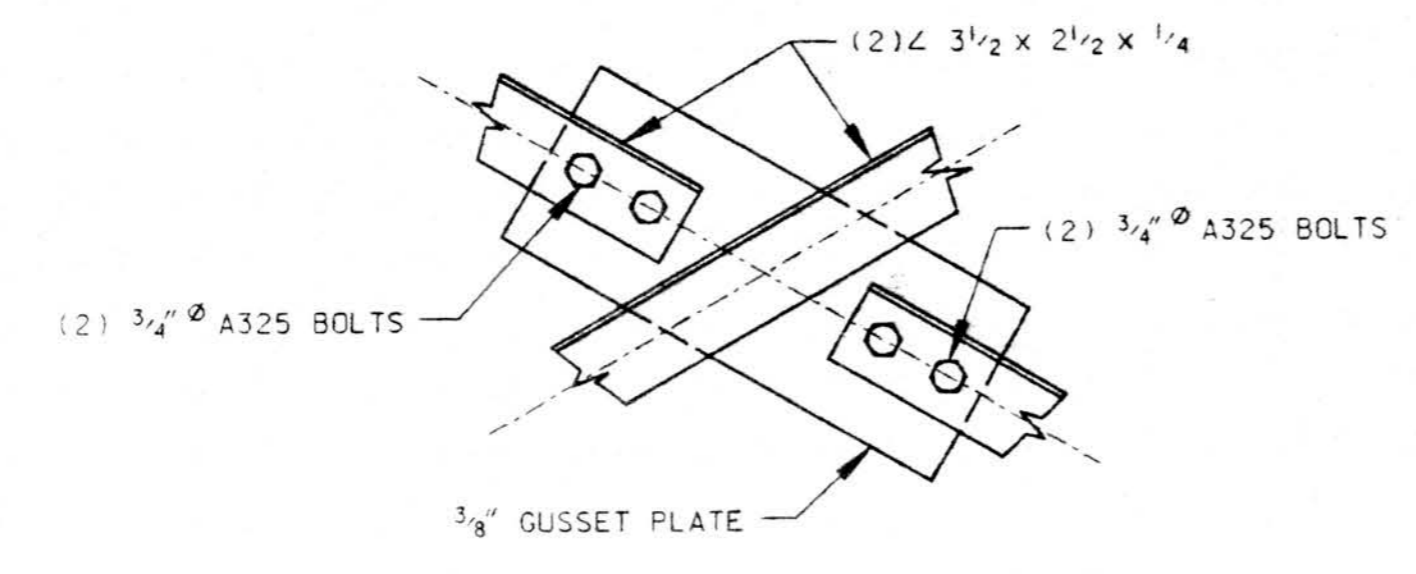
SECTION 4
VARIES E09



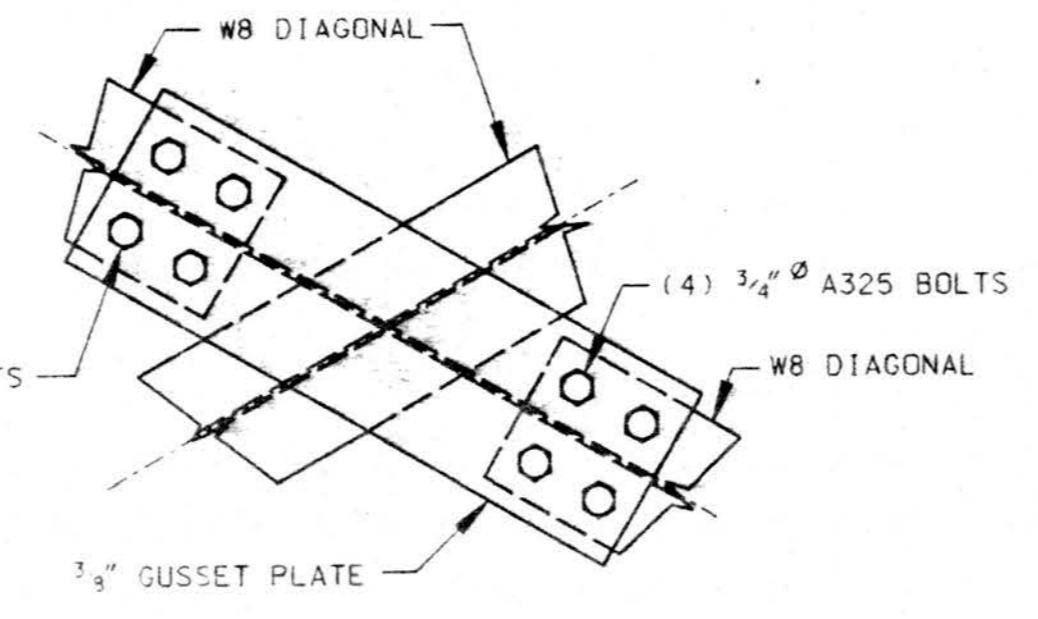
SECTION 6
VARIES E09



SECTION 7
VARIES E09



SECTION 8
VARIES E09



SECTION 9
VARIES E09

SUBMITTAL REVIEW

APPROVED	
OTHER:	
APPROVED AS NOTED	
RETURN FOR RESUBMITTAL	
DISAPPROVED - SEE REMARKS	

Review is only for conformance with the design concept and with the information given in the contract documents. This contractor remains responsible for compliance with all requirements of the contract documents.

FRANK W. SHORT • CRANFORD ASSOCIATES, P.C.
By: [Signature] Date: APR 20 1994
SUBMITTAL NO. 9126-13120A-02-02



AMERICAN BUILDINGS COMPANY
Heavy Fabrication Division
Bellaire, Texas

© Copyright 1994
American Buildings Company
All Rights Reserved

Builder: Seattle Construction Services, Inc.
Owner: Alaska Industrial Development and Export Authority
Building: Line Maintenance Hangar
Location: Anchorage, Alaska

DRAWN BY: LMC JOB NO. 51-9290
CHECKED BY: DATE 2/94 DWG. E09

NO.	REVISION	MADE	CHK'D	DATE
A	FOR APPROVAL	LMC		3/94
		LJL	85336	

