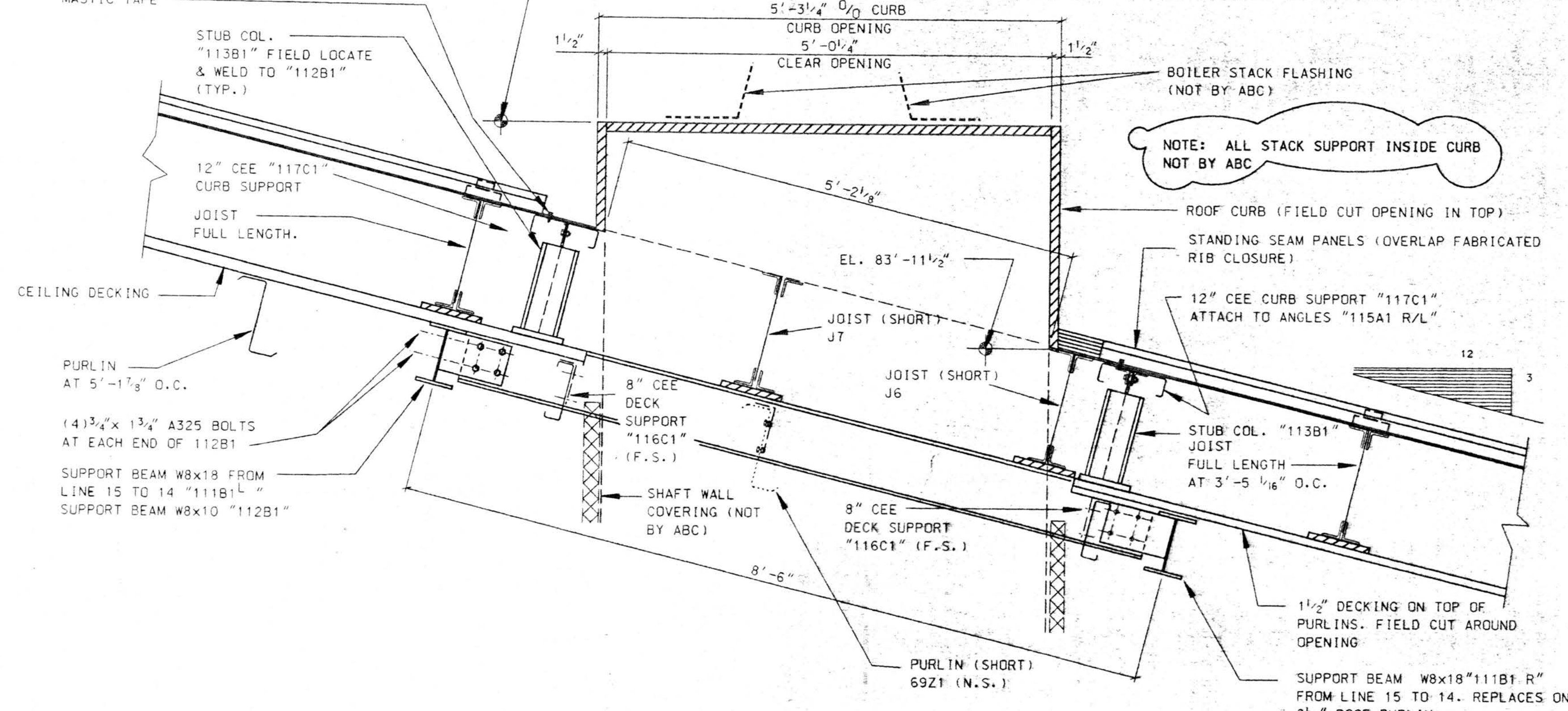
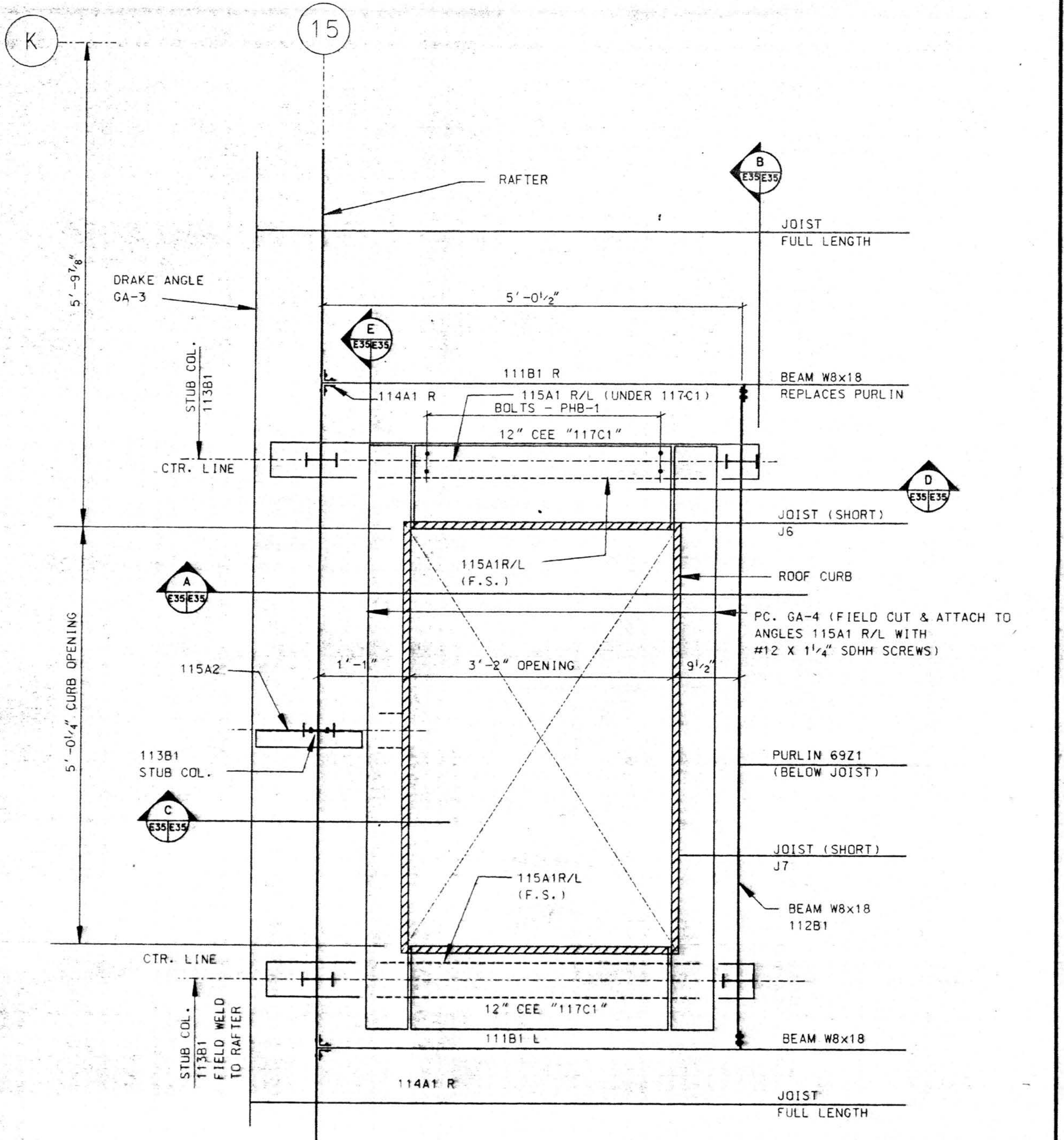


#12 X 1/2" SDRF SCREWS  
@ 3" O.C. WITH 2" X 3/16"  
MASTIC TAPE

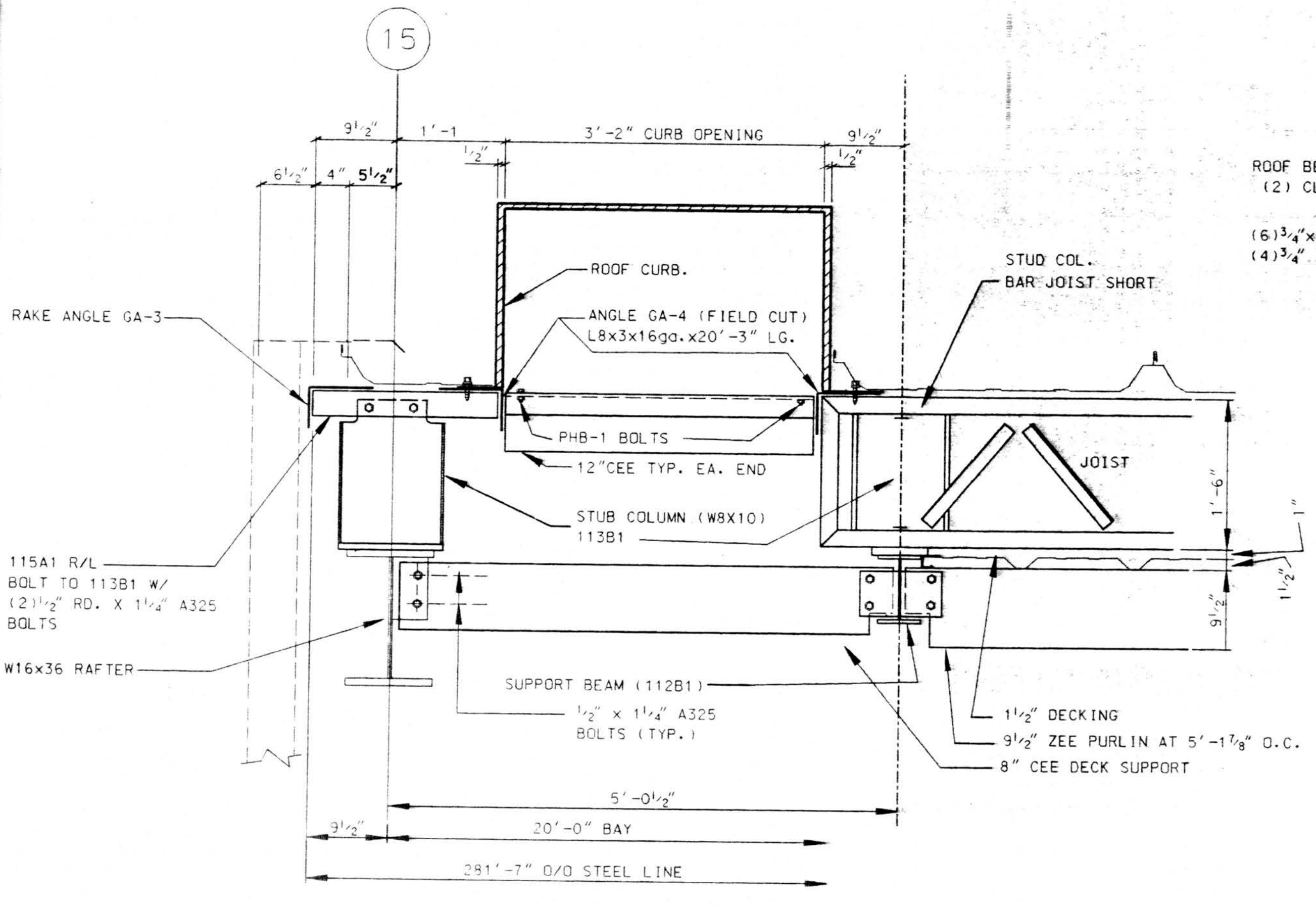
\*\*\* CAULK ALL JOINTS IN CURB AREA WITH GUTTER SEAL \*\*\*



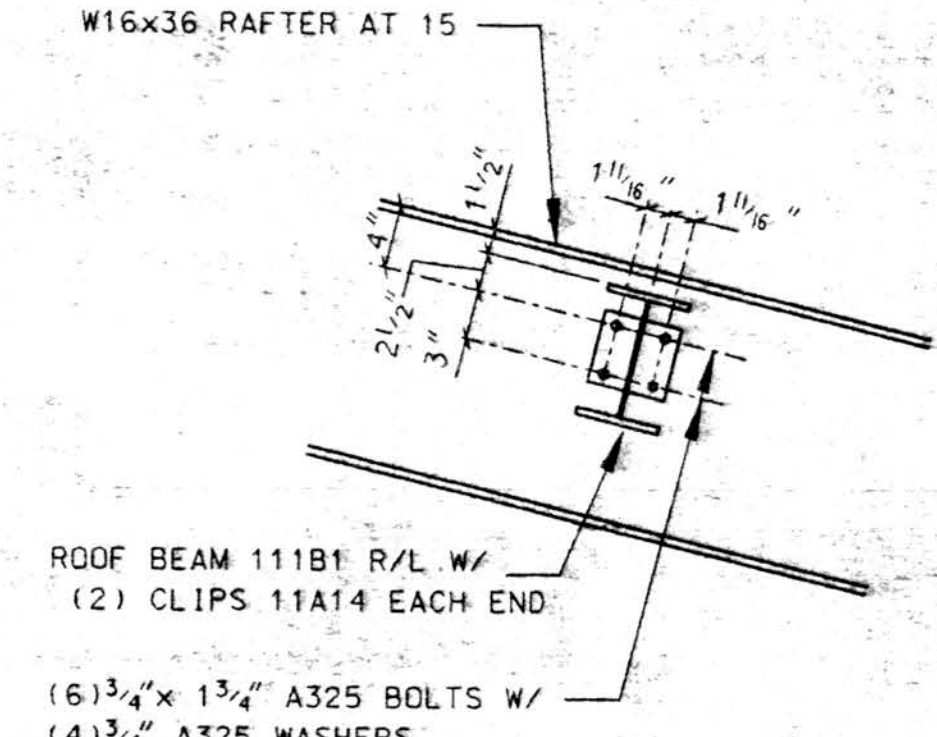
SECTION B  
E35E35



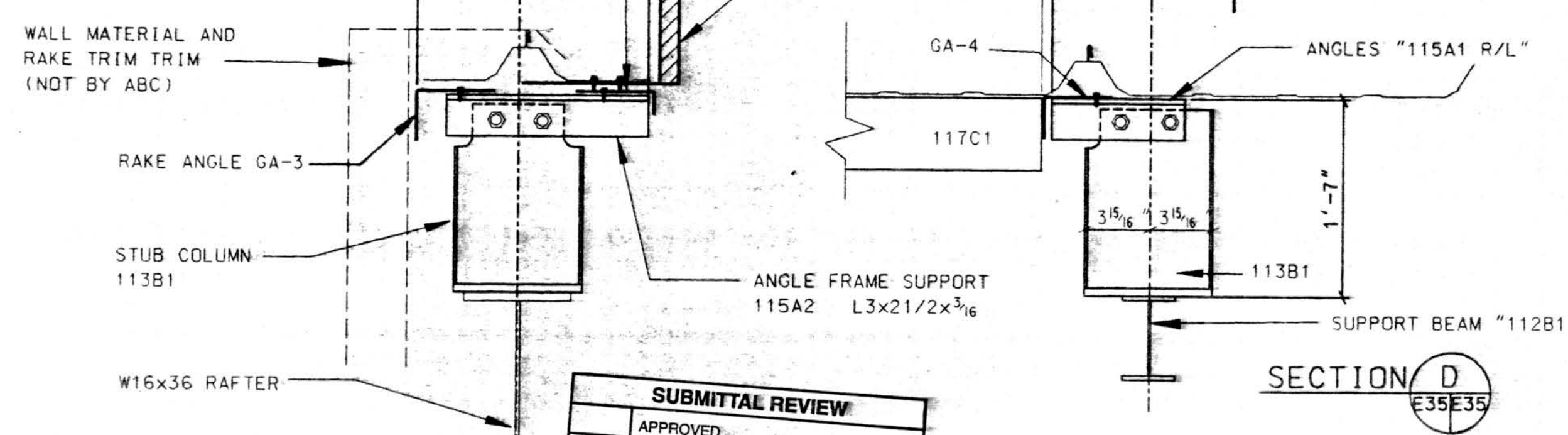
SECTION D  
E35E35



SECTION A  
E35E35



SECTION E  
E35E35



SECTION C  
E35E35

**SUBMITTAL REVIEW**

APPROVED	
OTHER	
APPROVED AS NOTED	
RETURN FOR RESUBMITTAL	
DISAPPROVED - SEE REMARKS	

Review is only for conformance with the design concept and with the information given in the contract documents. The contractor remains responsible for compliance with all requirements of the contract documents.

FRANKFURT - SHORT - BRUZA ARCHITECTS P.C.  
By: [Signature] Date: APR 28 1994  
SUBMITTAL NO. 126-13120A-02-01

NO.	REVISION	MADE	CHK'D	DATE
A	FOR APPROVAL	LMC		3/94



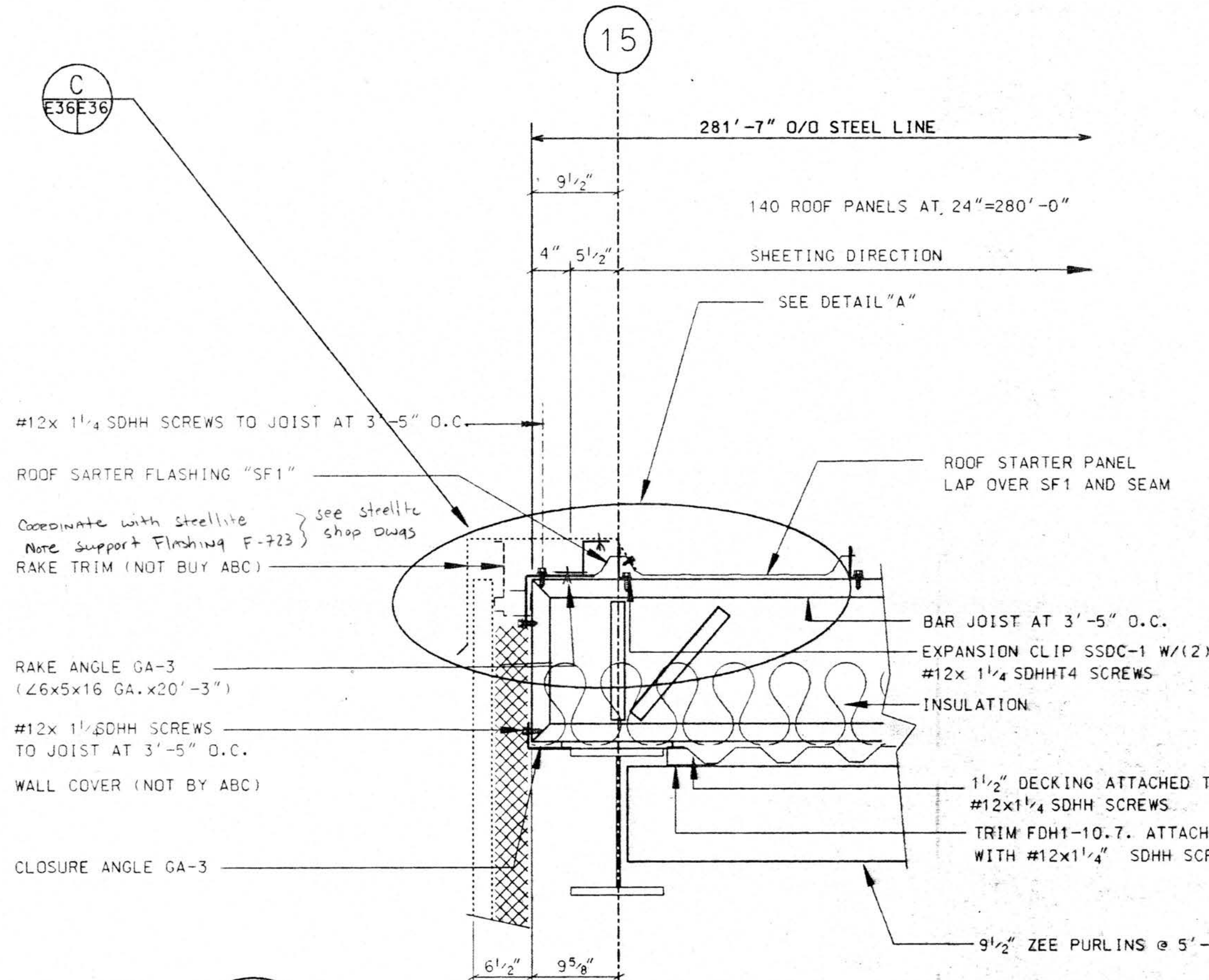
**AMERICAN BUILDINGS COMPANY**  
Heavy Fabrication Division  
Bellaire, Texas

Copyright 1994  
American Buildings Company  
All Rights Reserved

Builder: Seattle Construction Services, Inc.  
Owner: Alaska Industrial Development and Export Authority  
Building: Line Maintenance Hangar  
Location: Anchorage, Alaska

DRAWN BY: LMC JOB NO. 51-9290  
CHECKED BY: DATE 2/94 DWG. E35

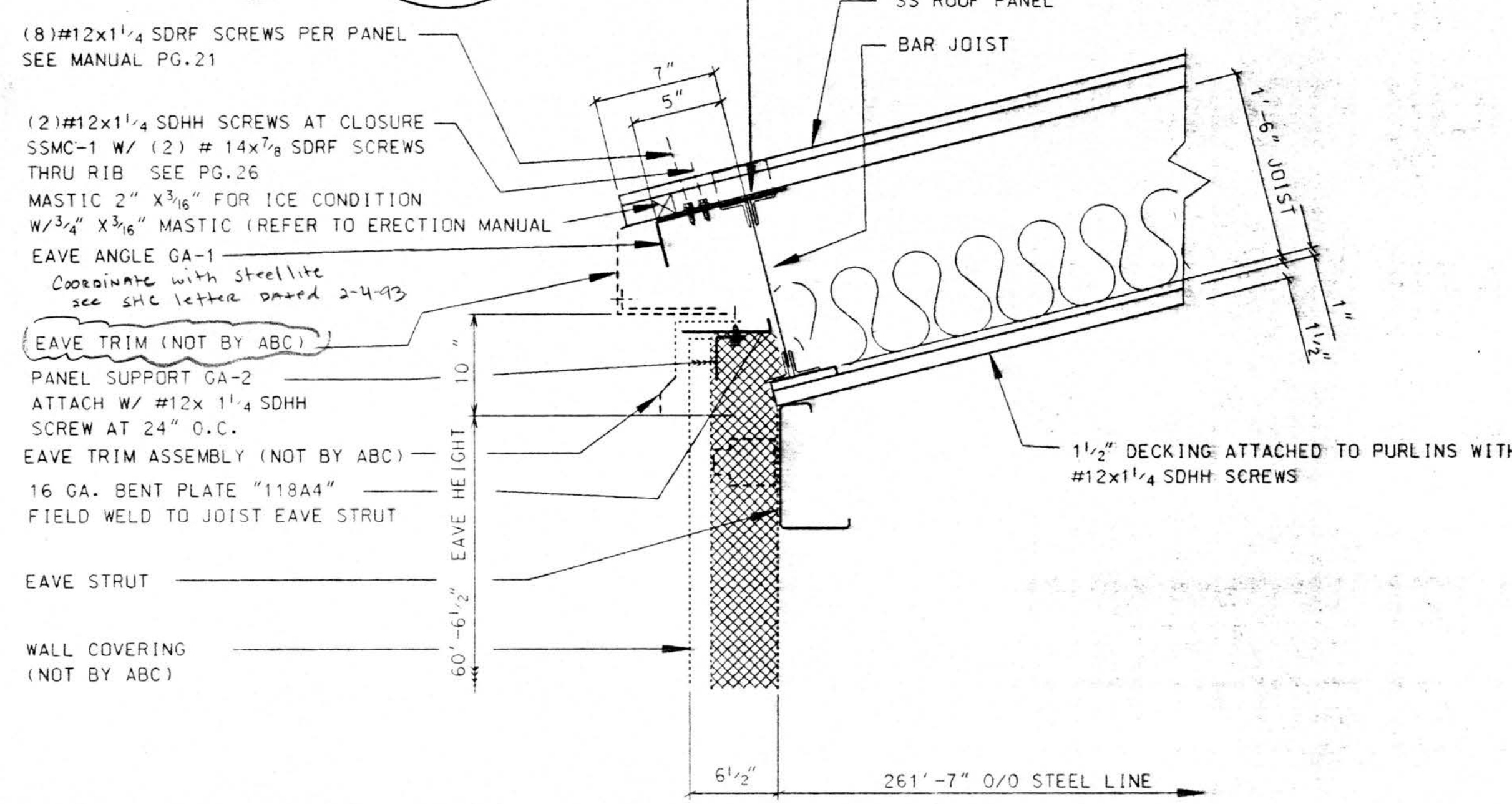




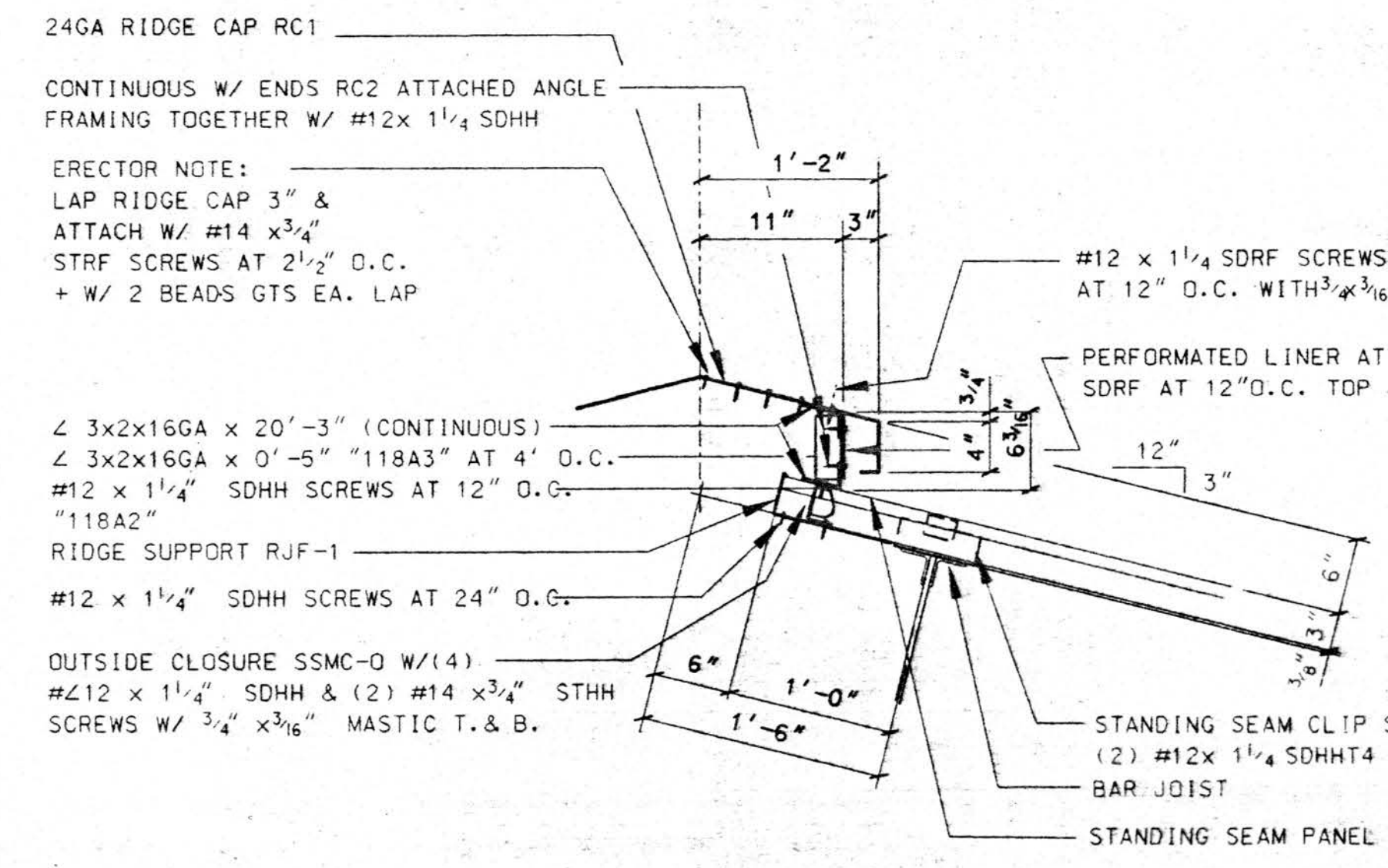
SECTION A  
VARIESE36

USE TAPE SEALER BETWEEN JOIST AND 16 GA. ANGLE TO HOLD ANGLE IN PLACE UNTIL SCREWS ARE INSTALLED

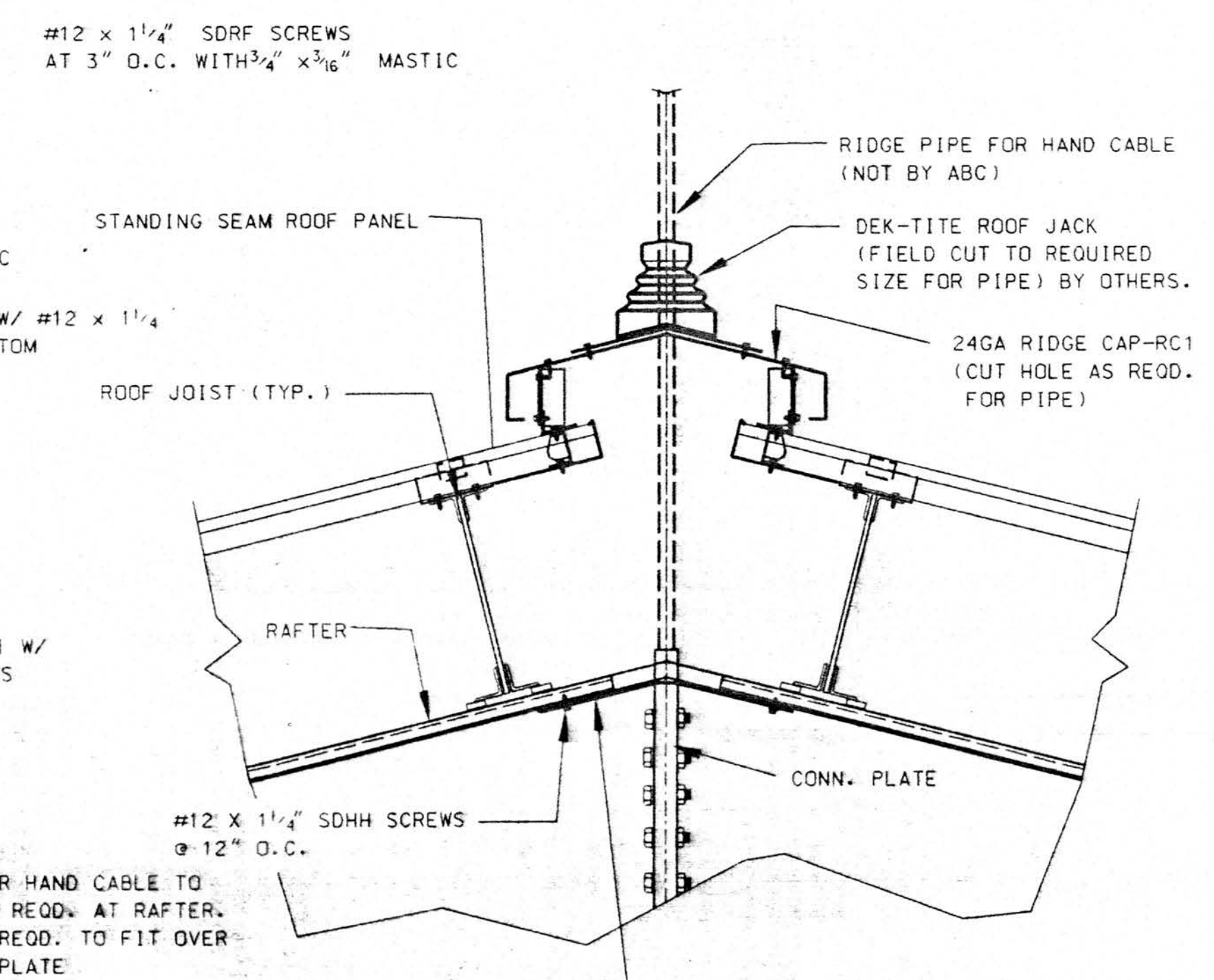
NOTE: DO NOT ATTACH 16 GA. ANGLE OR EAVE FLASHING TO EAVE JOIST. FIELD CUT BOTH PIECES AROUND STANDING SEAM CLIP.



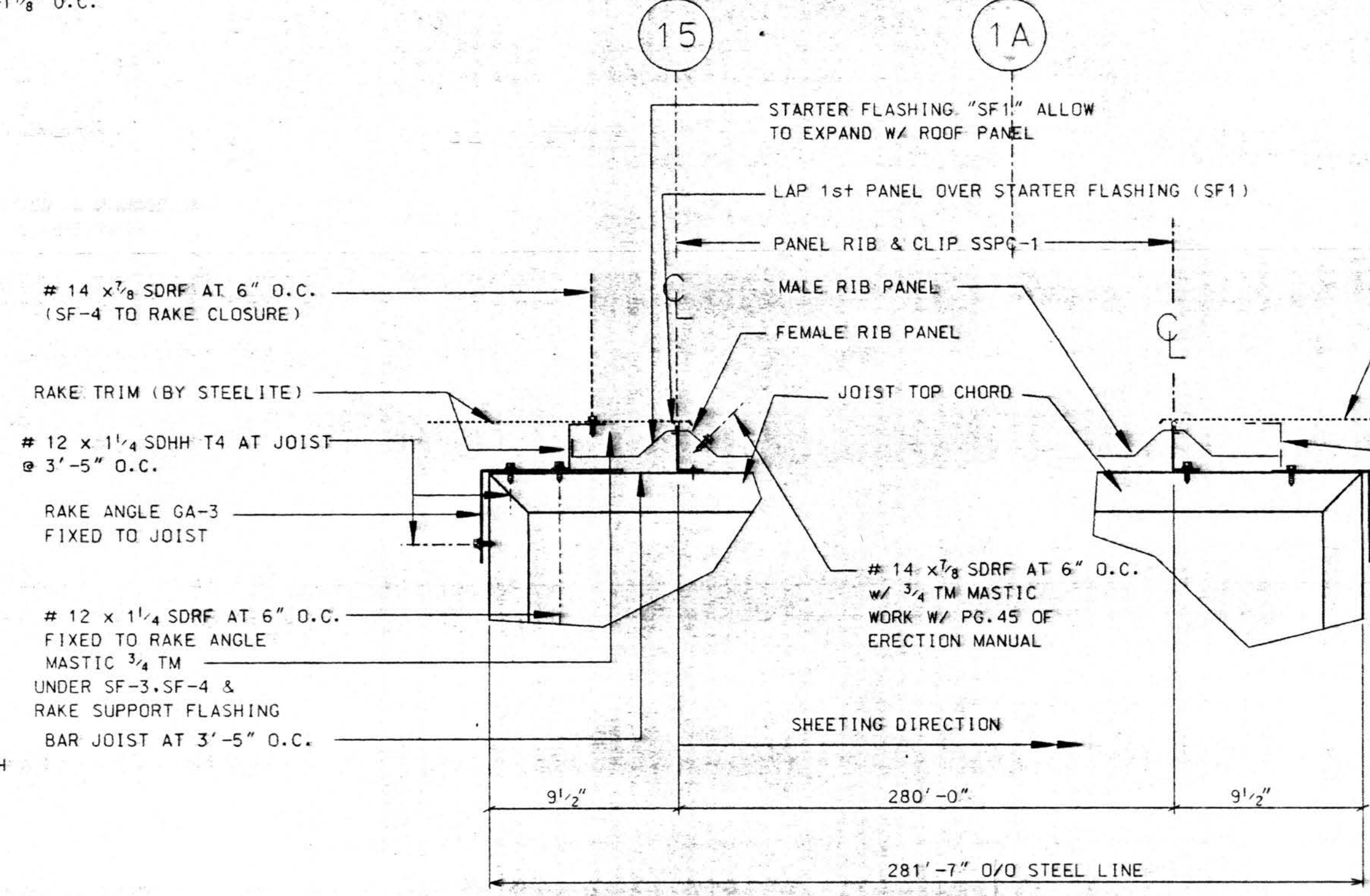
SECTION B  
VARIESE36



SECTION E  
VARIESE36



SECTION F  
VARIESE36



SECTION C  
VARIESE36

SECTION D  
VARIESE36

SUBMITTAL REVIEW	
APPROVED	
OTHER	
APPROVED AS NOTED	
RETURN FOR RESUBMITTAL	
DISAPPROVED - SEE REMARKS	

Review is only for conformance with the design concept and with the information given in the contract documents. The contractor remains responsible for compliance with all requirements of the contract documents.

FRANKFURT • SHORT • DRUZA ASSOCIATES, E.C.  
By: [Signature] Date: APR 26 1994  
SUBMITTAL NO. 9126-3120A-01-02



**AMERICAN BUILDINGS COMPANY**  
Heavy Fabrication Division  
Bellaire, Texas

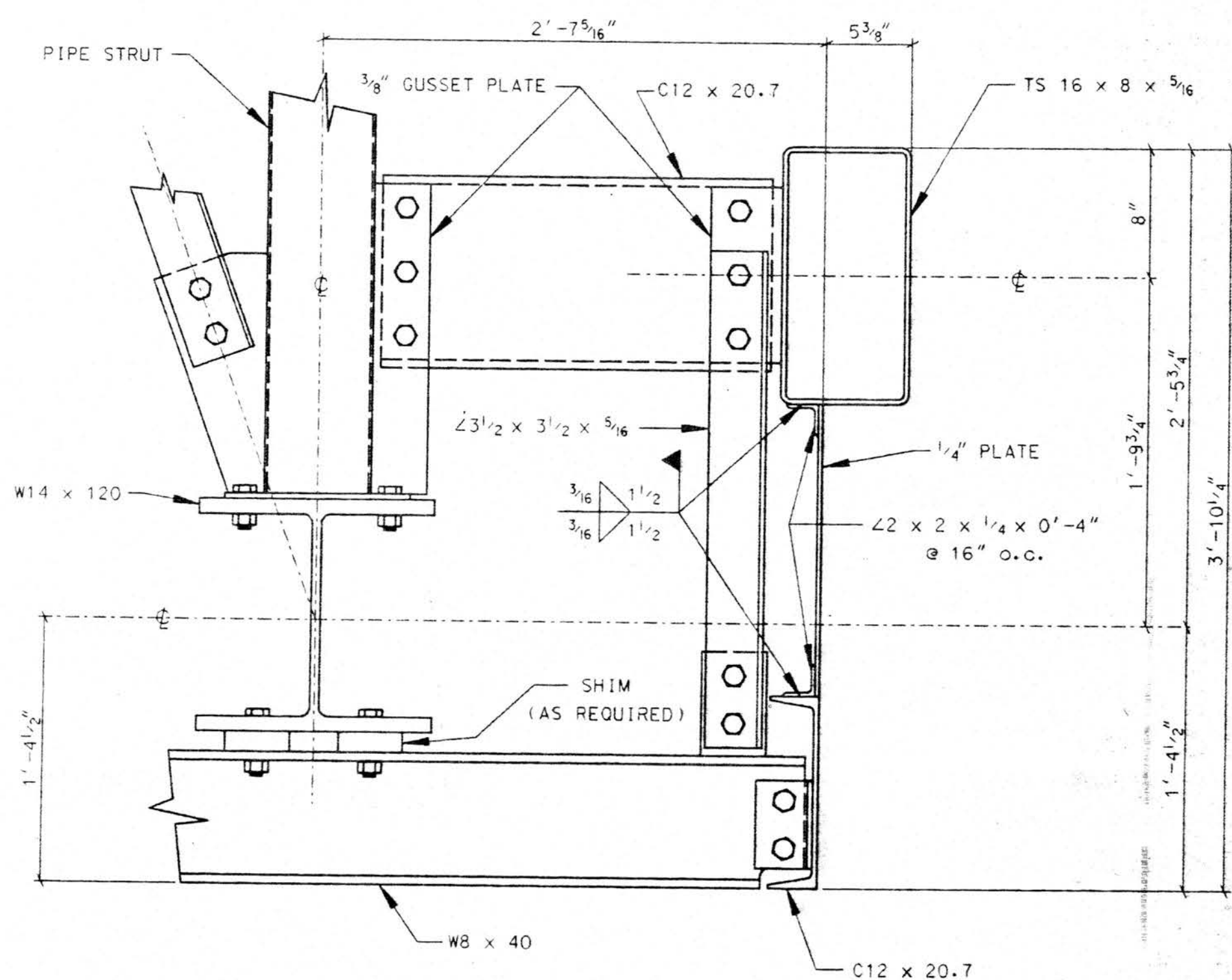
NO.	REVISION	MADE	CHK'D	DATE
A	FOR APPROVAL	LMC		3/94

© Copyright 1994 American Buildings Company All Rights Reserved

Builder: Seattle Construction Services, Inc.  
Owner: Alaska Industrial Development and Export Authority  
Building: Line Maintenance Hangar  
Location: Anchorage, Alaska

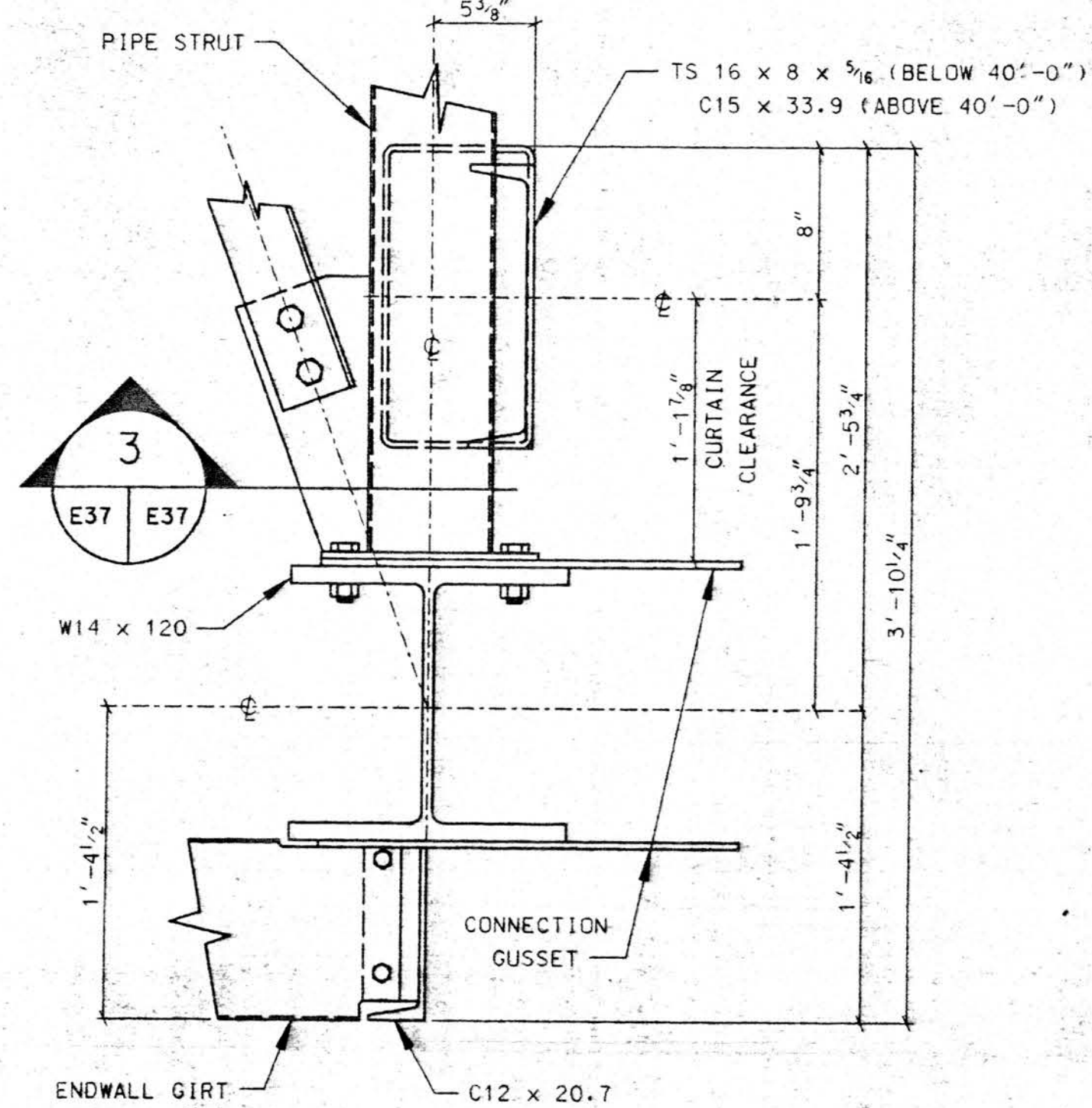
DRAWN BY: LMC JOB NO.: 51-9290  
CHECKED BY: DATE 2/94 DWG. E36



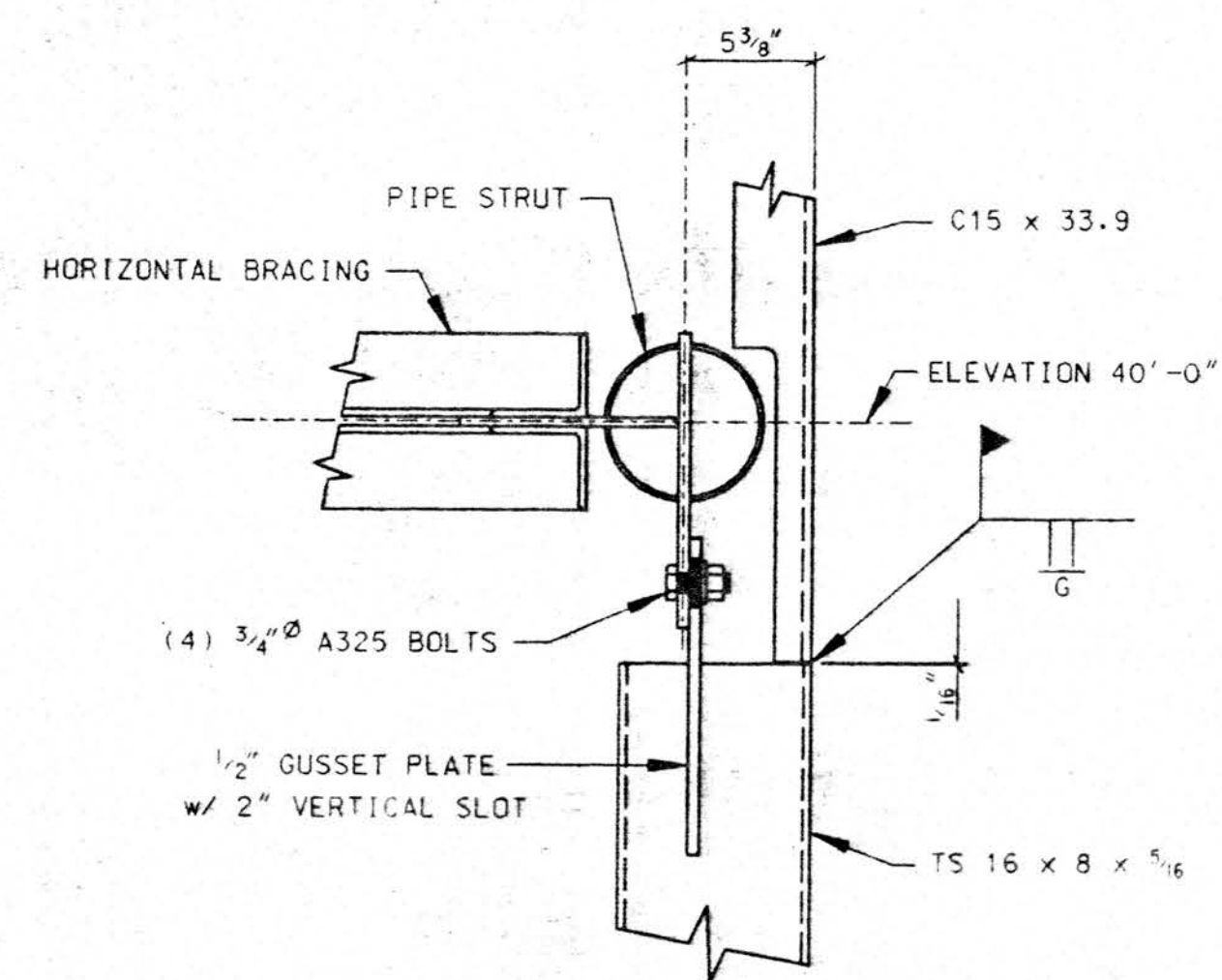


ALL BOLTS IN THIS DETAIL ARE 3/4\"/>

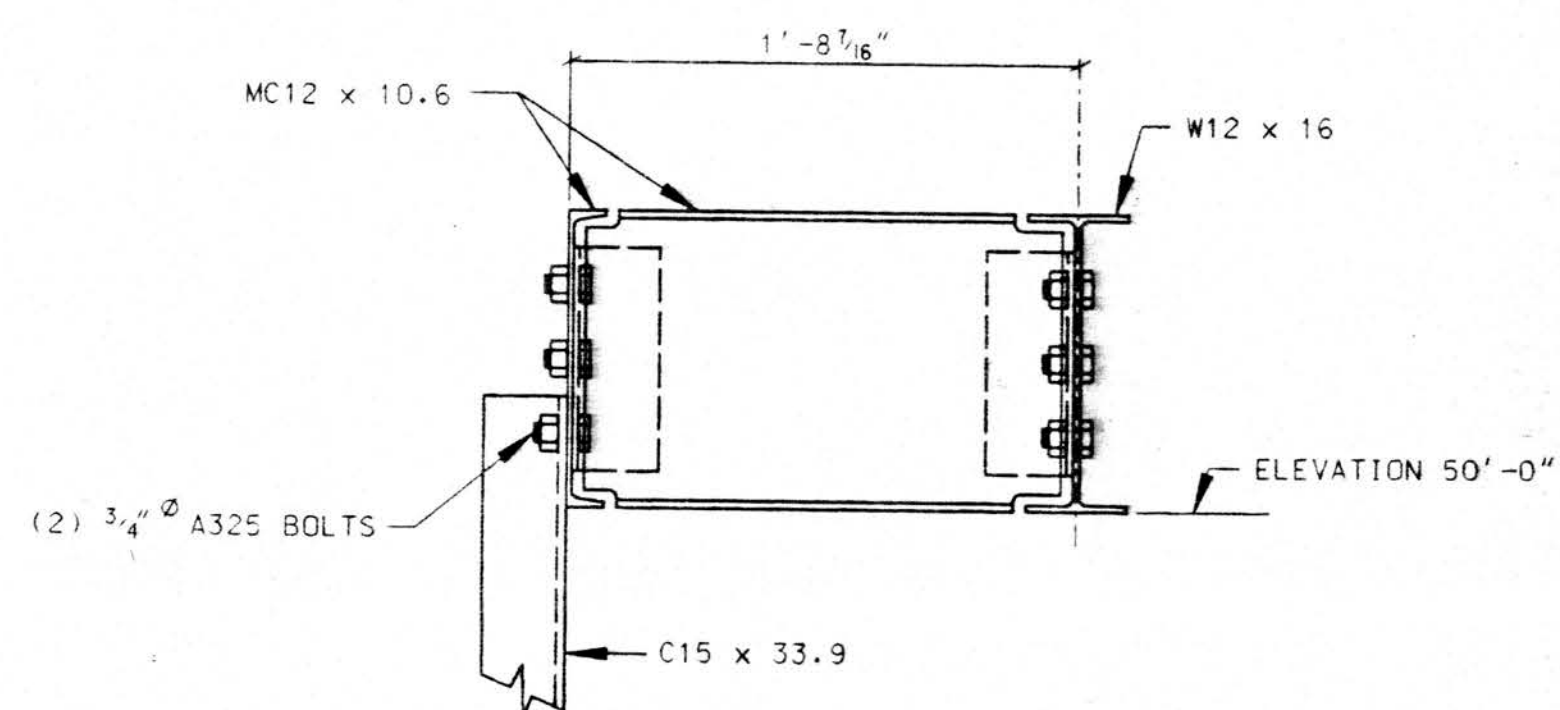
SECTION 1  
Exx E37



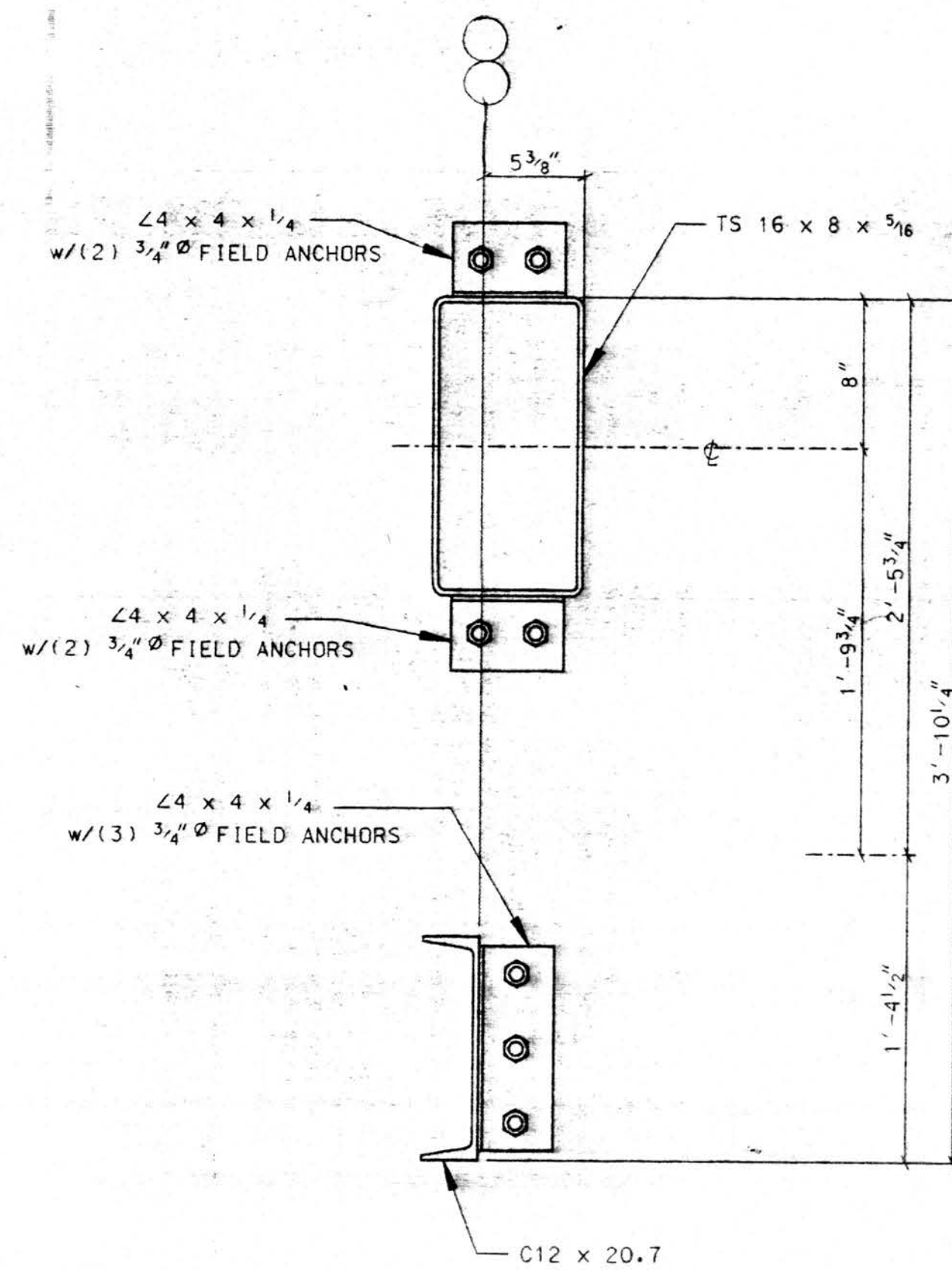
SECTION 2  
Exx E37



SECTION 3  
E37 E37



SECTION 4  
Exx E37



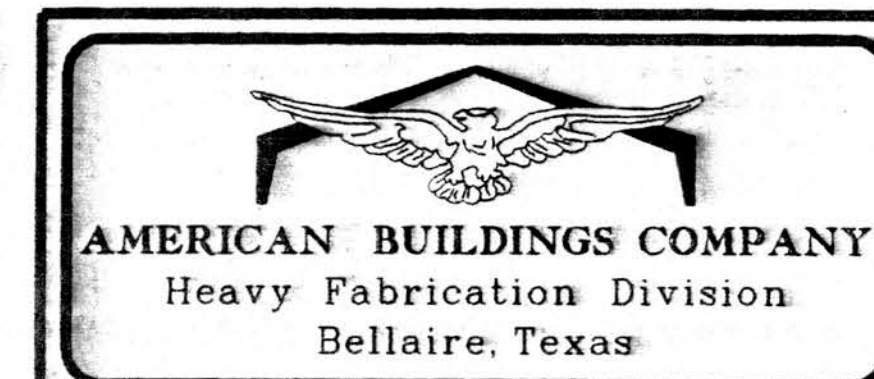
SECTION 5  
Exx E37



SUBMITTAL REVIEW				
APPROVED				
OTHER				
APPROVED AS NOTED				
RETURN FOR RESUBMITTAL				
DISAPPROVED - SEE REMARKS				

Review is only for conformance with the design concept and with the information given in the contract documents. The contractor remains responsible for compliance with all requirements of the contract documents.

FRANKLINT - SHORT - BRIDGE ENGINEERS, P.C.  
By: [Signature] Date: APR 26 1994  
SUBMITTAL NO. 726-1320A-0202



© Copyright 1994 American Buildings Company All Rights Reserved

Builder: Seattle Construction Services, Inc.  
Owner: Alaska Industrial Development and Export Authority  
Building: Line Maintenance Hangar  
Location: Anchorage, Alaska  
DRAWN BY: LMC JOB NO. 51-9290  
CHECKED BY: DATE 2/94 DWG. E37

NO.	REVISION	MADE	CHK'D	DATE
A	FOR APPROVAL	LMC		3/94
		LIL	85364	



15 14 13 12 11 10 9 8 7 6 5 4 3 2 1A

281'-7" OUT / OUT STEEL LINE

140 SS ROOF PANELS AT 24" = 280'-0"

9 1/2" 9 1/2"

SHEETING DIRECTION  
START PANEL HERE  
EAVE TRIM  
(NOT BY ABC)

N9  
N  
M  
L  
K  
J  
H

SSL-28"-11 1/2"  
SSL-34"-1"  
RAKE TRIM  
(NOT BY ABC)  
STARTER TRIM  
SF1 & SF3  
BY ABC  
RAKE TRIM  
SF4 & SF5  
BY ABC  
SSL-36"-5 1/2"  
SSL-36"-5 1/2"  
SSL-36"-5 1/2"  
SSL-36"-5 1/2"  
SSL-36"-5 1/2"  
SEE E35 FOR  
ROOF CURB  
SECTIONS  
SSP-34.5  
SSP-29.3 1/2"

261'-7" OUT / OUT ROOF STEEL  
130'-9 1/2" RIDGE TO STEEL LINE  
RIDGE  
SYM ABOUT

PLACE ONE FS-1 INSULATION SPACER AND FASTEN ROOF PANEL TO BAR JOIST WITH #12 X 1 1/4" TEC-4 PANEL @ 6" O.C. (SEE SECT. 3/E45)

ENDING TRIM  
SF2 W/ SF3 / SF4 & SF5

WORK W/ PG. 25  
FOR ENLARGED DETAIL  
THRU JOIST  
(STANDING SEAM ERECTION MANUAL)

TYPICAL @ HAND CABLE PIPE ONLY

RIDGE VENT CAP RC1 x 10'-3" W/  
END CAPS RC2  
WORK W/ ERECTION MANUAL  
PG. 39 & 40 FOR RIDGE  
(STANDING SEAM ERECTION MANUAL)

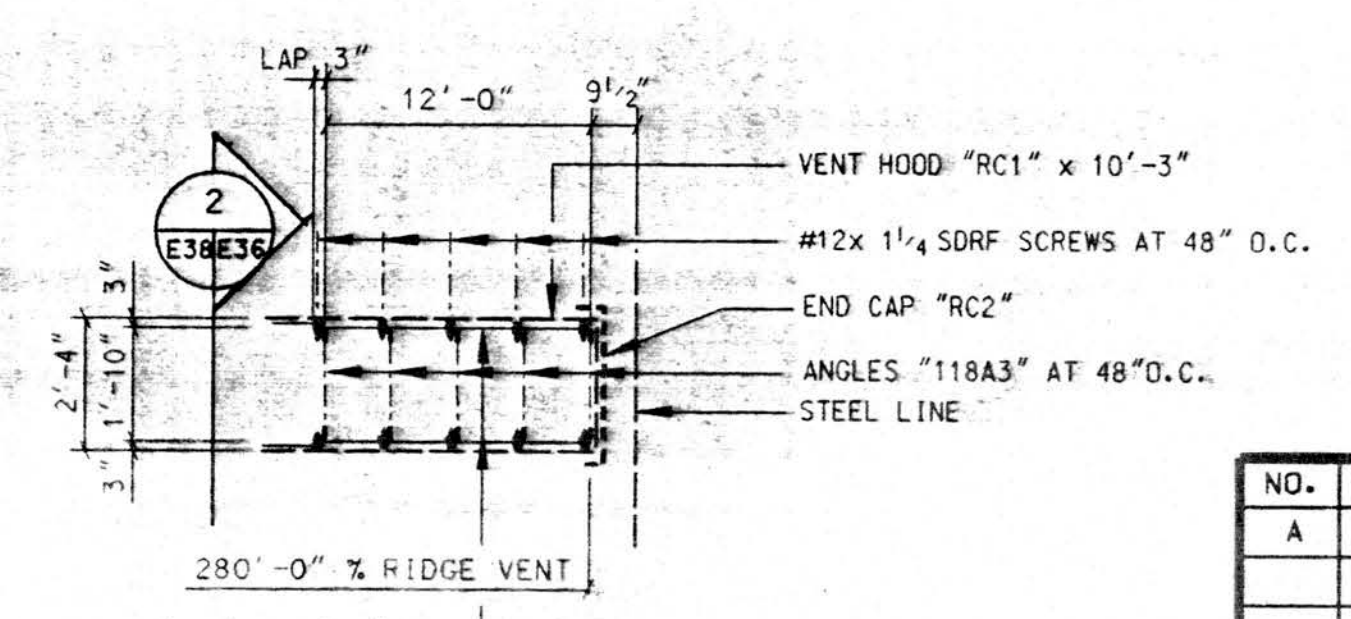
ANGLES "118A1" & "118A2"

RIDGE VENT

4' 4' 4' 4' 4'  
20'-0 1/16" 9 1/2"

SEE CROSS SECTION FOR STANDING SEAM PANEL LAY-OUT

**PARTIAL ROOF PANEL LAYOUT**  
24GA STANDING SEAM ROOF PANELS  
WORK WITH STANDING SEAM ERECTION MANUAL  
(REFER TO SHEET E39 FOR ADDITIONAL ROOF PANEL LAY-OUTS)



PERFORATED SIDEWALL PANEL "RC3" x 12'-3"  
ATTACHED T. & B. W/ #12 X 1 1/4 SDRF AT 12'-0"  
O.C.

**PARTIAL ERECTION PLAN OF RIDGE VENT**

**SUBMITTAL REVIEW**

APPROVED	
OTHER:	
APPROVED AS NOTED	
RETURN FOR RESUBMITTAL	
DISAPPROVED - SEE REMARKS	

Review is only for conformance with the design concept and with the information given in the contract documents. The contractor remains responsible for compliance with all requirements of the contract documents.

FRANKFURT & SHOOT - BRUZARD & BUSHONG  
By *[Signature]* Date *[Date]*  
SUBMITTAL NO. *5-926-13122A-02-02*



MAR 24 1994

**AMERICAN BUILDINGS COMPANY**  
Heavy Fabrication Division  
Bellaire, Texas

© Copyright 1994  
American Buildings Company  
All Rights Reserved

Builder: Seattle Construction Services, Inc.  
Owner: Alaska Industrial Development and Export Authority

Building: Line Maintenance Hangar  
Location: Anchorage, Alaska

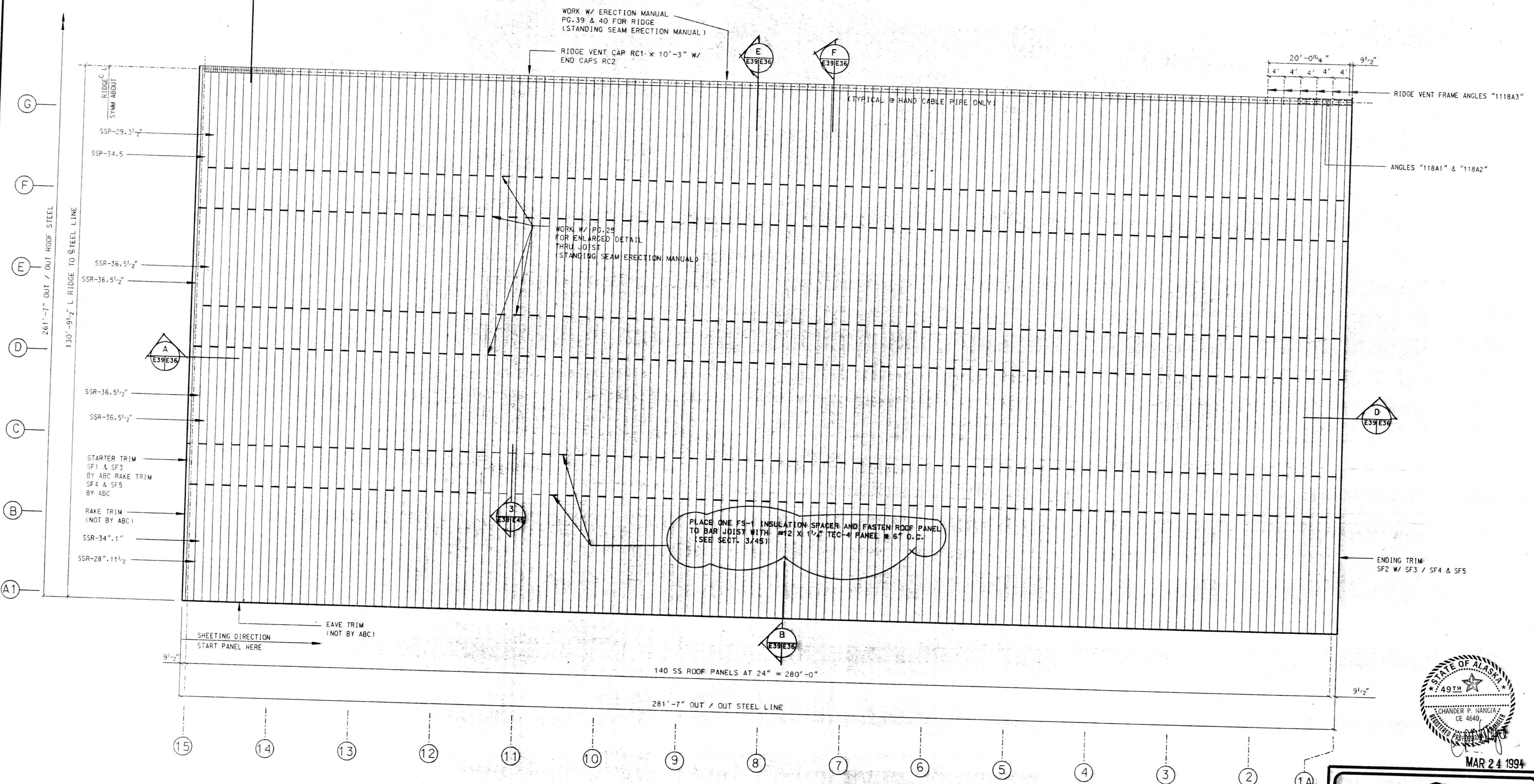
DRAWN BY LMC JOB NO. 51-9290  
CHECKED BY DATE 2/94 DWG. E38

NO.	REVISION	MADE	CHK'D	DATE
A	FOR APPROVAL	LMC		3/94

LIL 85385



SEE CROSS SECTION FOR STANDING SEAM PANEL LAY-OUT



**PARTIAL ROOF PANEL LAYOUT**  
 24GA STANDING SEAM ROOF PANELS  
 WORK WITH STANDING SEAM ERECTION MANUAL  
 (REFER TO SHEET E38 FOR ADDITIONAL ROOF PANEL LAY-OUTS)

SUBMITTAL REVIEW	
<input type="checkbox"/>	APPROVED
<input checked="" type="checkbox"/>	OTHER: APPROVED AS NOTED
<input type="checkbox"/>	RETURN FOR RESUBMITTAL
<input type="checkbox"/>	DISAPPROVED - SEE REMARKS

Review is only for conformance with the design concept and with the information given in the contract documents. The contractor remains responsible for conformance with all requirements of the contract documents.

FRANK J. SHORT & BRITZ ASSOCIATES, P.C.  
 By: *[Signature]* Date: APR 28 1994  
 SUBMITTAL NO. 9126-1510A-02-02

NO.	REVISION	MADE	CHK'D	DATE
A	FOR APPROVAL	LMC		3/94



**AMERICAN BUILDINGS COMPANY**  
 Heavy Fabrication Division  
 Bellaire, Texas

© Copyright 1994  
 American Buildings Company  
 All Rights Reserved

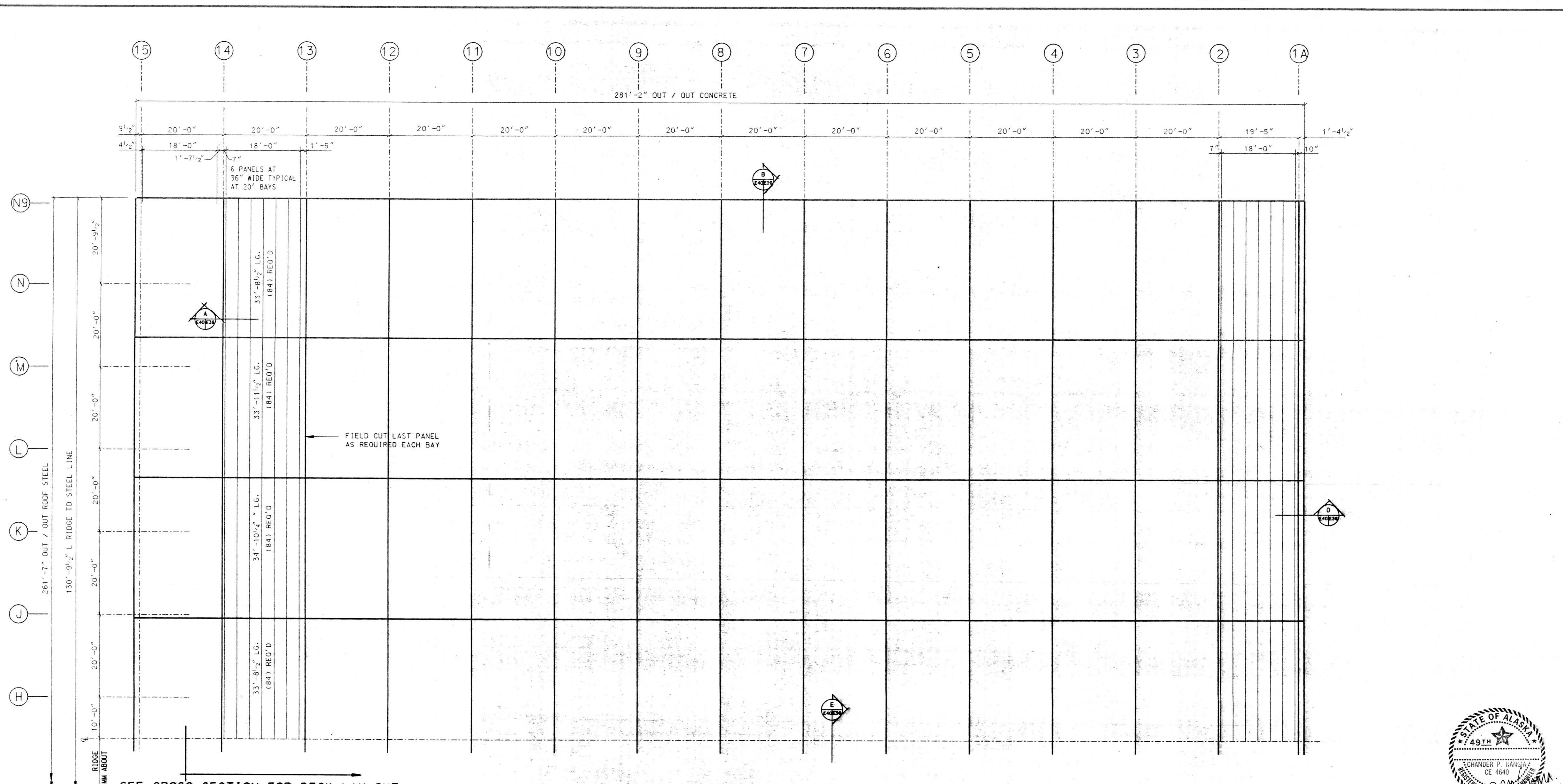
Builder: Seattle Construction Services, Inc.  
 Owner: Alaska Industrial Development and Export Authority  
 Building: Line Maintenance Hangar  
 Location: Anchorage, Alaska

DRAWN BY: LMC    JOB NO. 51-9290  
 CHECKED BY:    DATE 2/94 DWG. E39



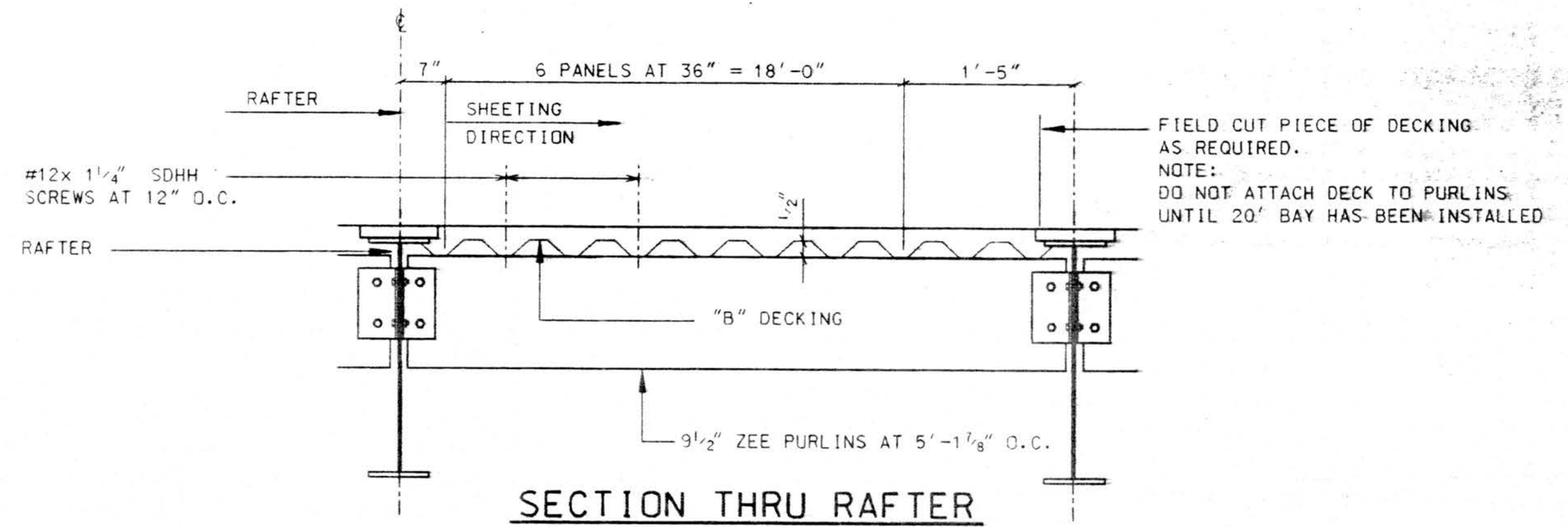
MAR 24 1994





SEE CROSS SECTION FOR DECK LAY-OUT

**PARTIAL ROOF DECK LAYOUT**  
 22GA TYPE B PANELS x 36" WIDE (GALV)  
 (REFER TO SHEET E41 FOR ADDITIONAL ROOF LINER LAY-OUTS)



**SECTION THRU RAFTER**



SUBMITTAL REVIEW	
APPROVED	
OTHER:	
APPROVED AS NOTED	
RETURN FOR RESUBMITTAL	
DISAPPROVED - SEE REMARKS	

Review is only for conformance with the design concept and with the information given in the contract documents. The contractor remains responsible for compliance with all requirements of the contract documents.

FRANKFURT • SHORT • BRUZA ASSOCIATES, P.C.  
 By: *PCW* Date: **APR 20 1994**  
 SUBMITTAL NO. **2926-13120A-02-02**

**AMERICAN BUILDINGS COMPANY**  
 Heavy Fabrication Division  
 Bellaire, Texas

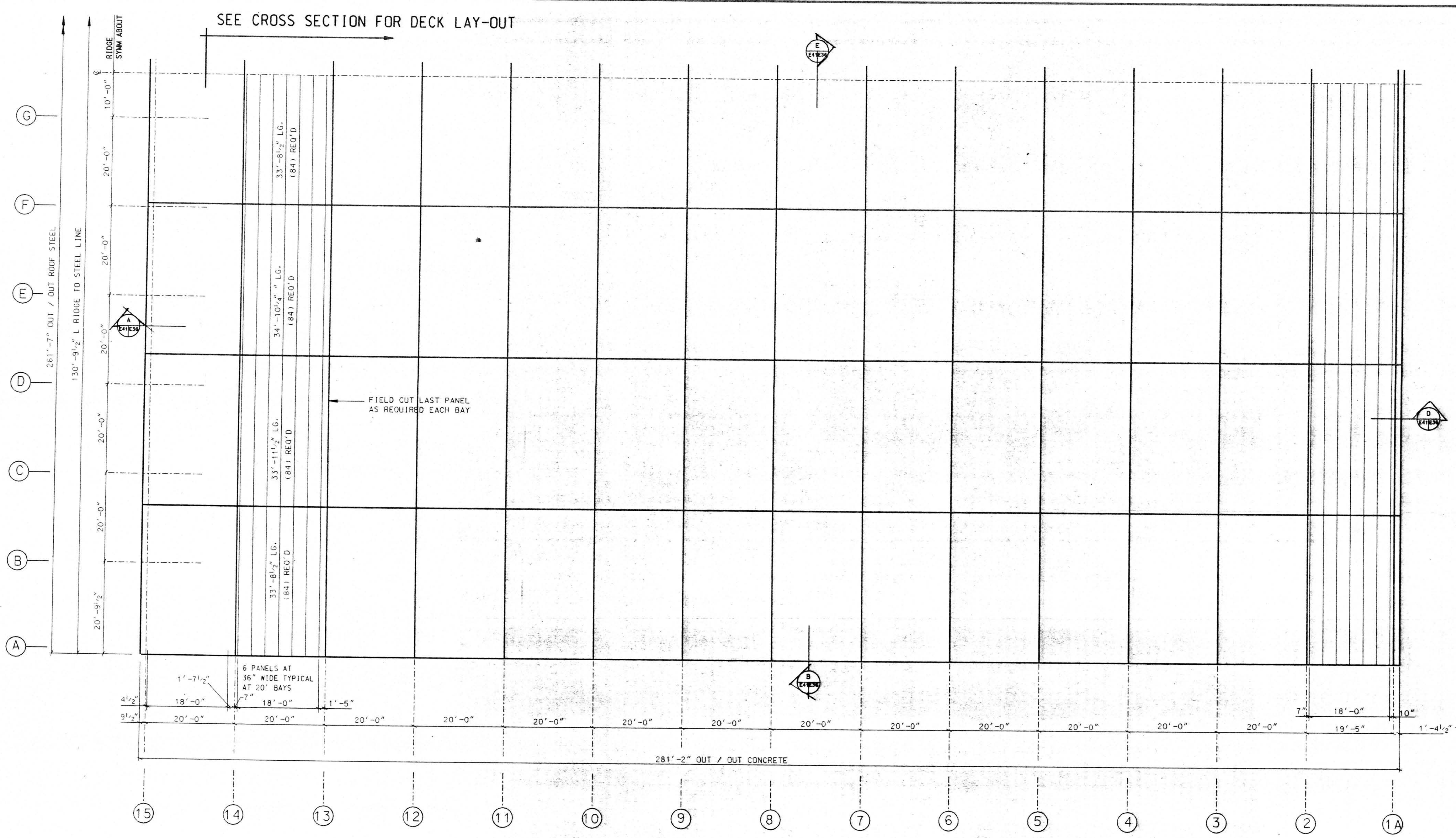
NO.	REVISION	MADE	CHK'D	DATE
A	FOR APPROVAL	LMC		3/94

© Copyright 1994  
 American Buildings Company  
 All Rights Reserved

Builder: Seattle Construction Services, Inc.  
 Owner: Alaska Industrial Development and Export Authority  
 Building: Line Maintenance Hangar  
 Location: Anchorage, Alaska

DRAWN BY	LMC	JOB NO.	51-9290
CHECKED BY		DATE	2/94 DWG. E40





**PARTIAL ROOF DECK LAYOUT**  
 22GA TYPE B PANELS - 36" WIDE (GALV)  
 (REFER TO SHEET E40 FOR ADDITIONAL ROOF LINER LAY-OUTS AND DETAILS)

**SUBMITTAL REVIEW**  
 APPROVED \_\_\_\_\_  
 OTHER: \_\_\_\_\_  
 APPROVED AS NOTED  
 RETURN FOR RESUBMITTAL  
 DISAPPROVED - SEE REMARKS  
Review is only for conformance with this design concept and with the information given in the contract documents. The contractor remains responsible for compliance with all requirements of the contract documents.  
 FRANK J. SHORT • BRUZA ASSOCIATES, P.C.  
 By: *[Signature]* Date: **APR 28 1994**  
 SUBMITTAL NO. - 126-13170A-02-02



MAR 24 1994

**AMERICAN BUILDINGS COMPANY**  
 Heavy Fabrication Division  
 Bellaire, Texas

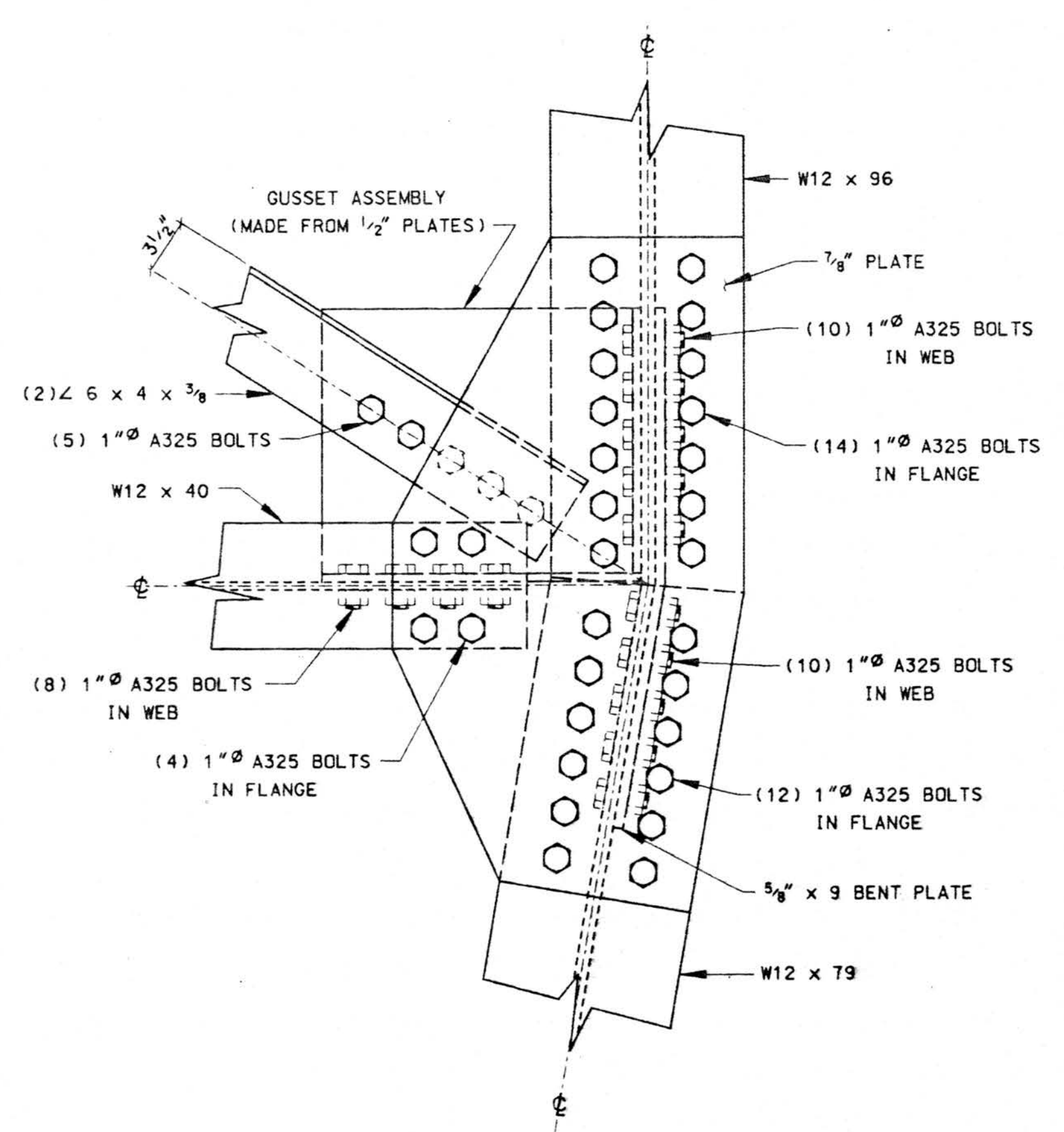
NO.	REVISION	MADE	CHK'D	DATE
A	FOR APPROVAL	LMC		3/94
		LIL	85368	

© Copyright 1994  
 American Buildings Company  
 All Rights Reserved

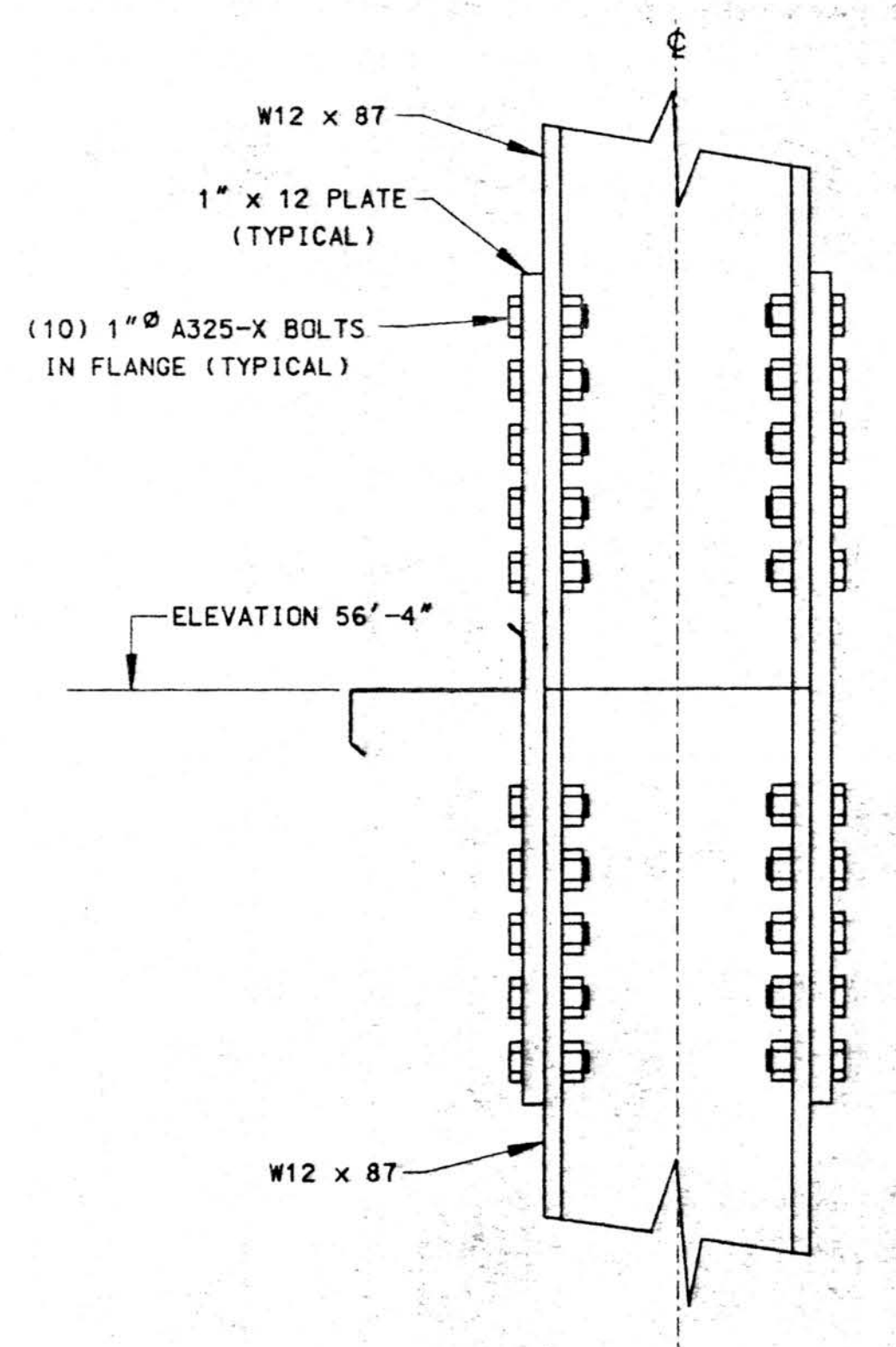
Builder: Seattle Construction Services, Inc.  
 Owner: Alaska Industrial Development and Export Authority  
 Building: Line Maintenance Hangar  
 Location: Anchorage, Alaska

DRAWN BY: LMC    JOB NO.: 51-9290  
 CHECKED BY:      DATE 2/94    DWG. E41

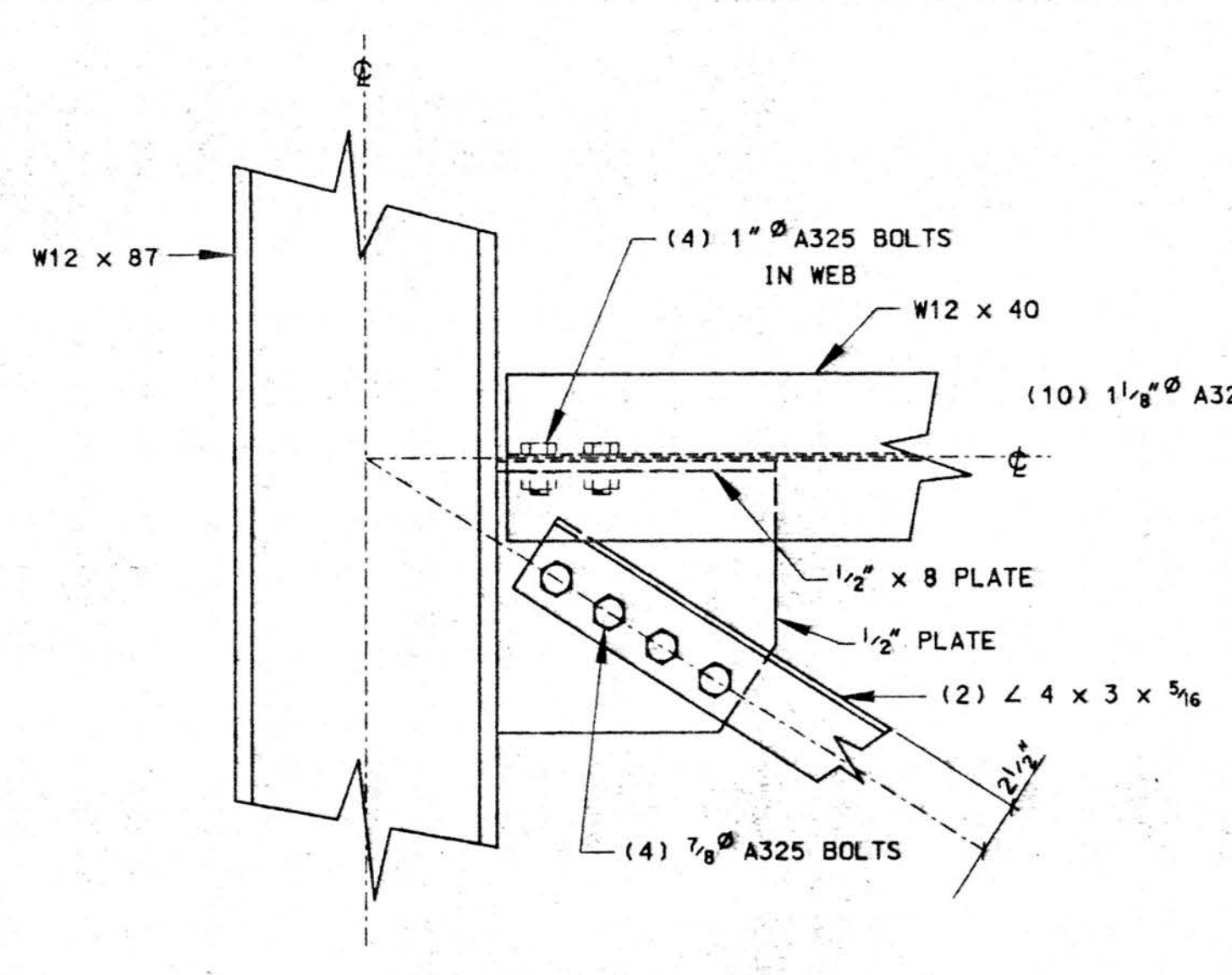




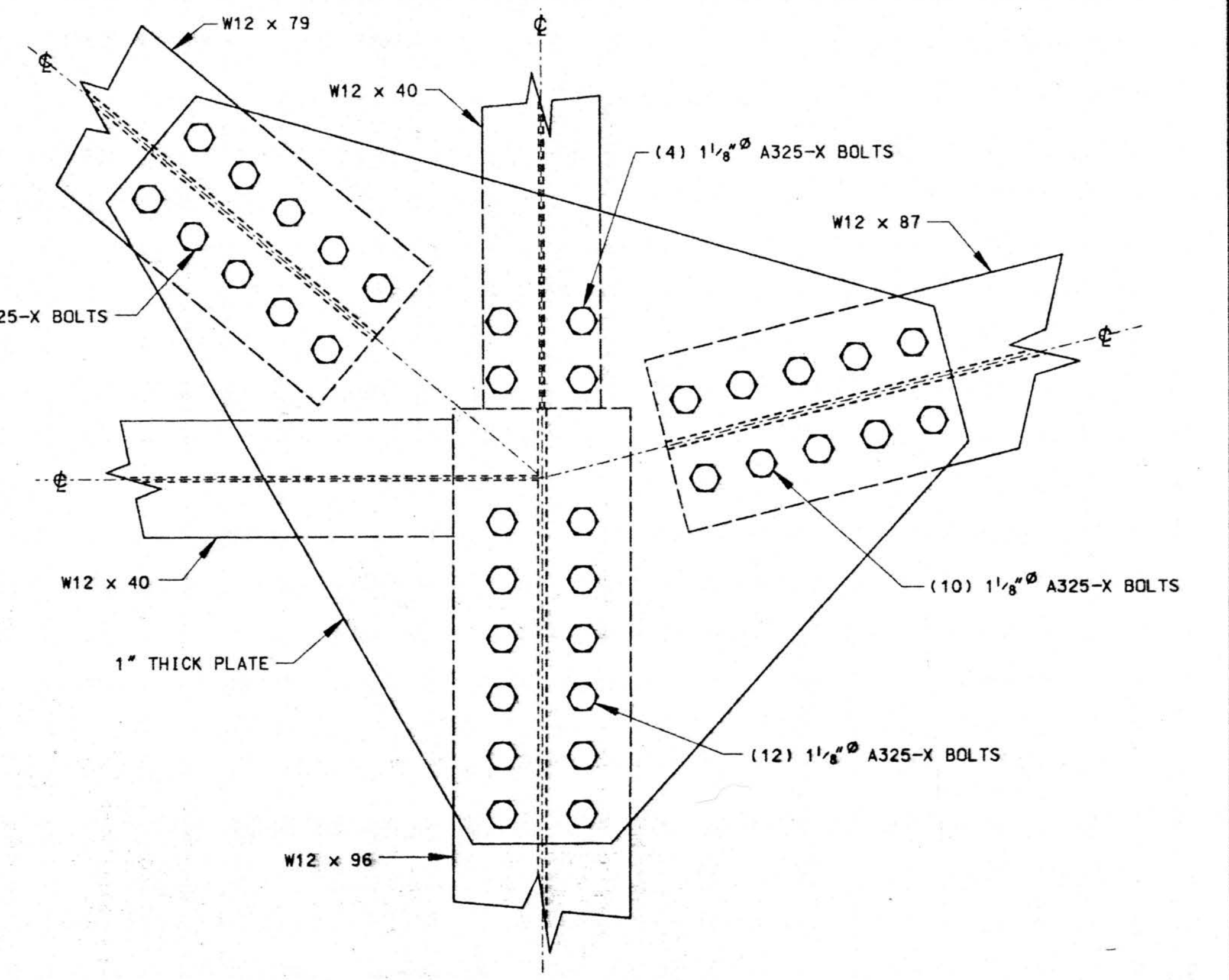
SECTION 1  
VARIES E42



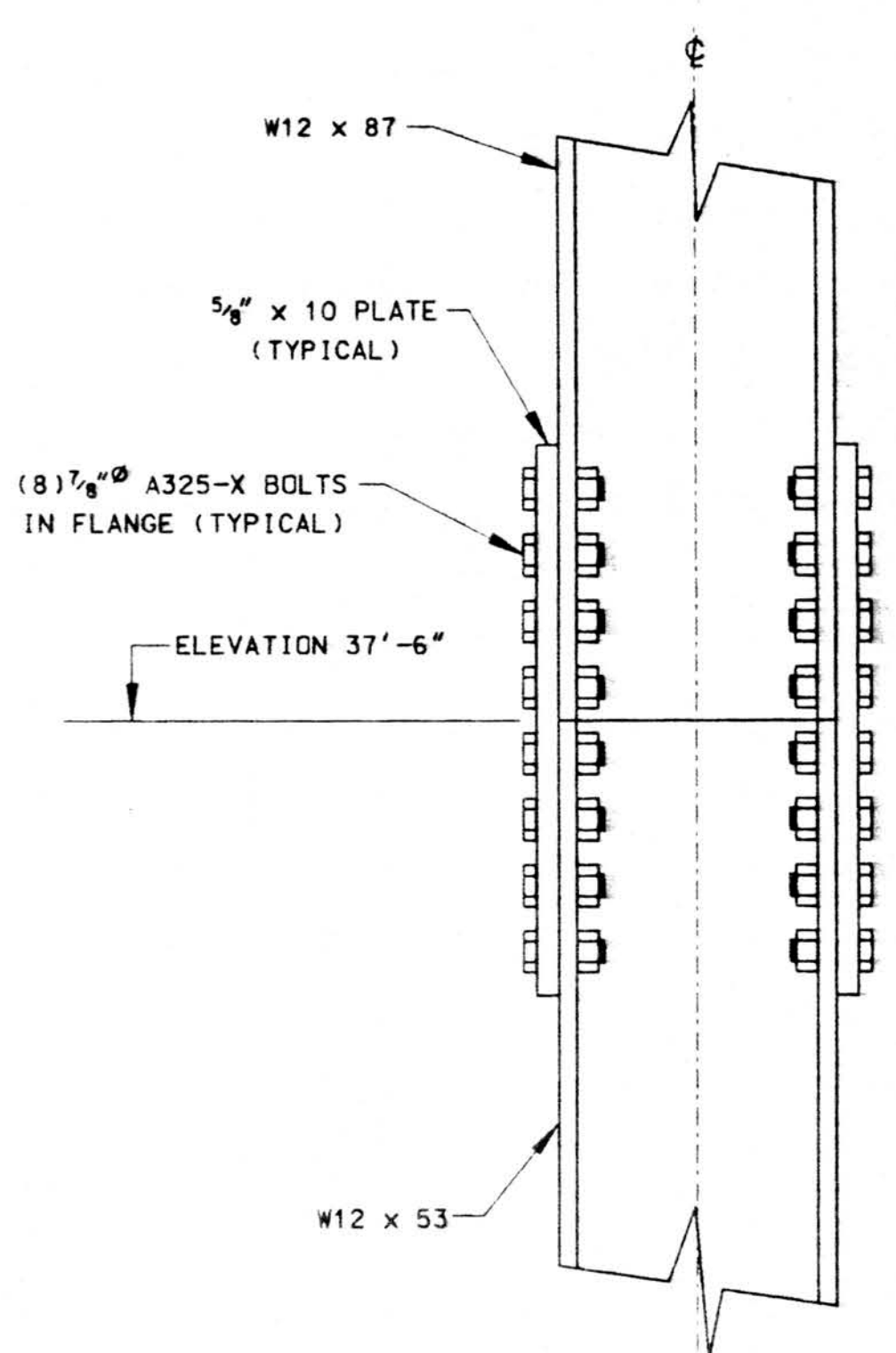
SECTION 2  
VARIES E42



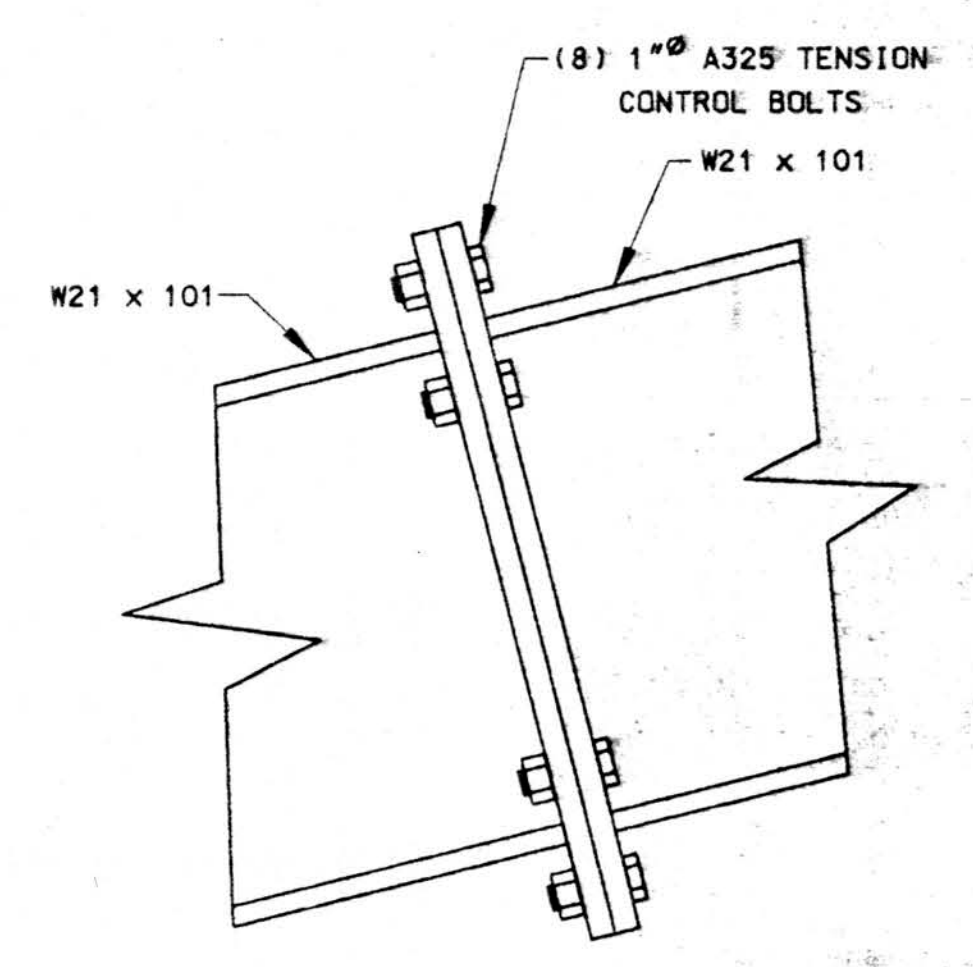
SECTION 3  
VARIES E42



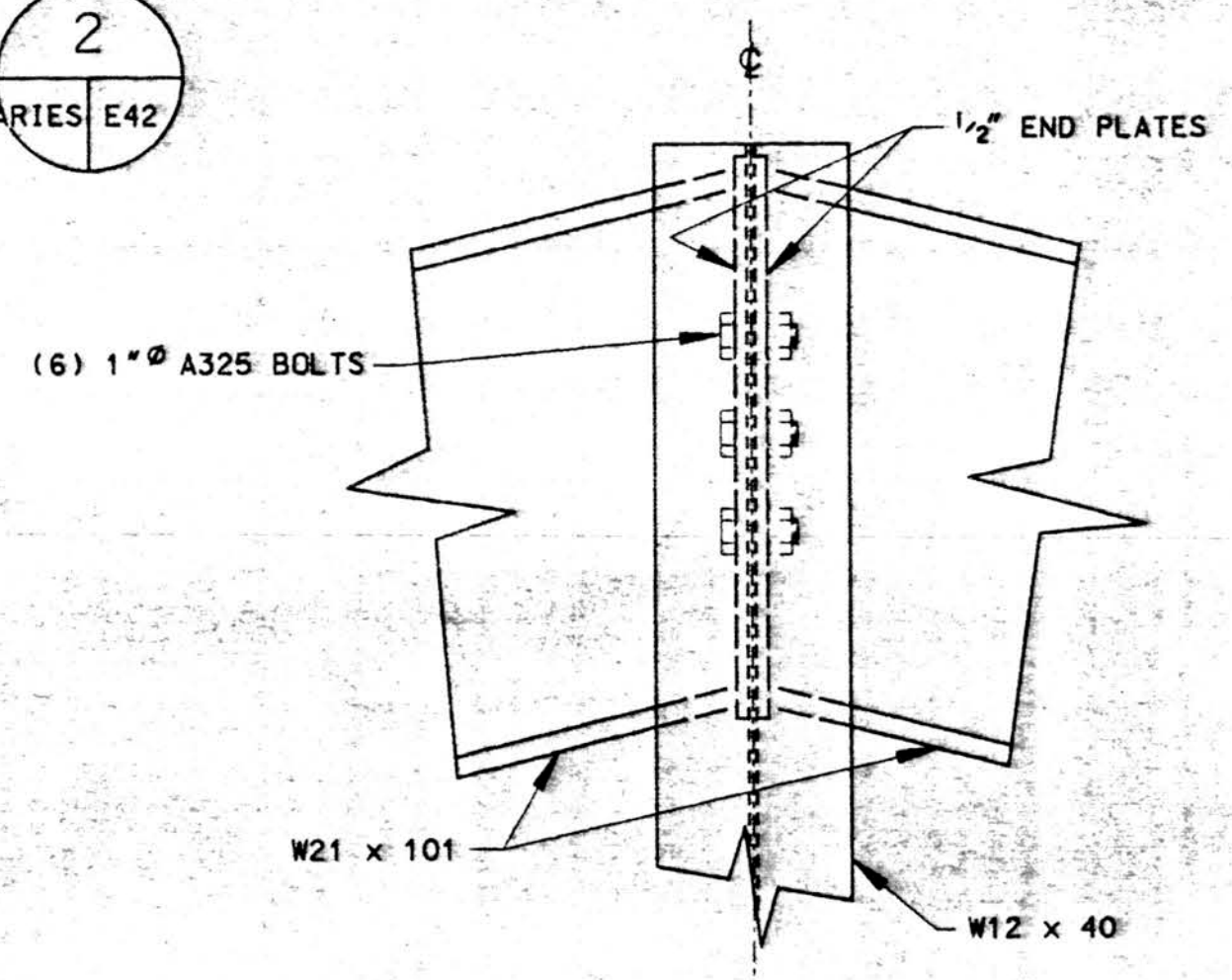
SECTION 4  
VARIES E42



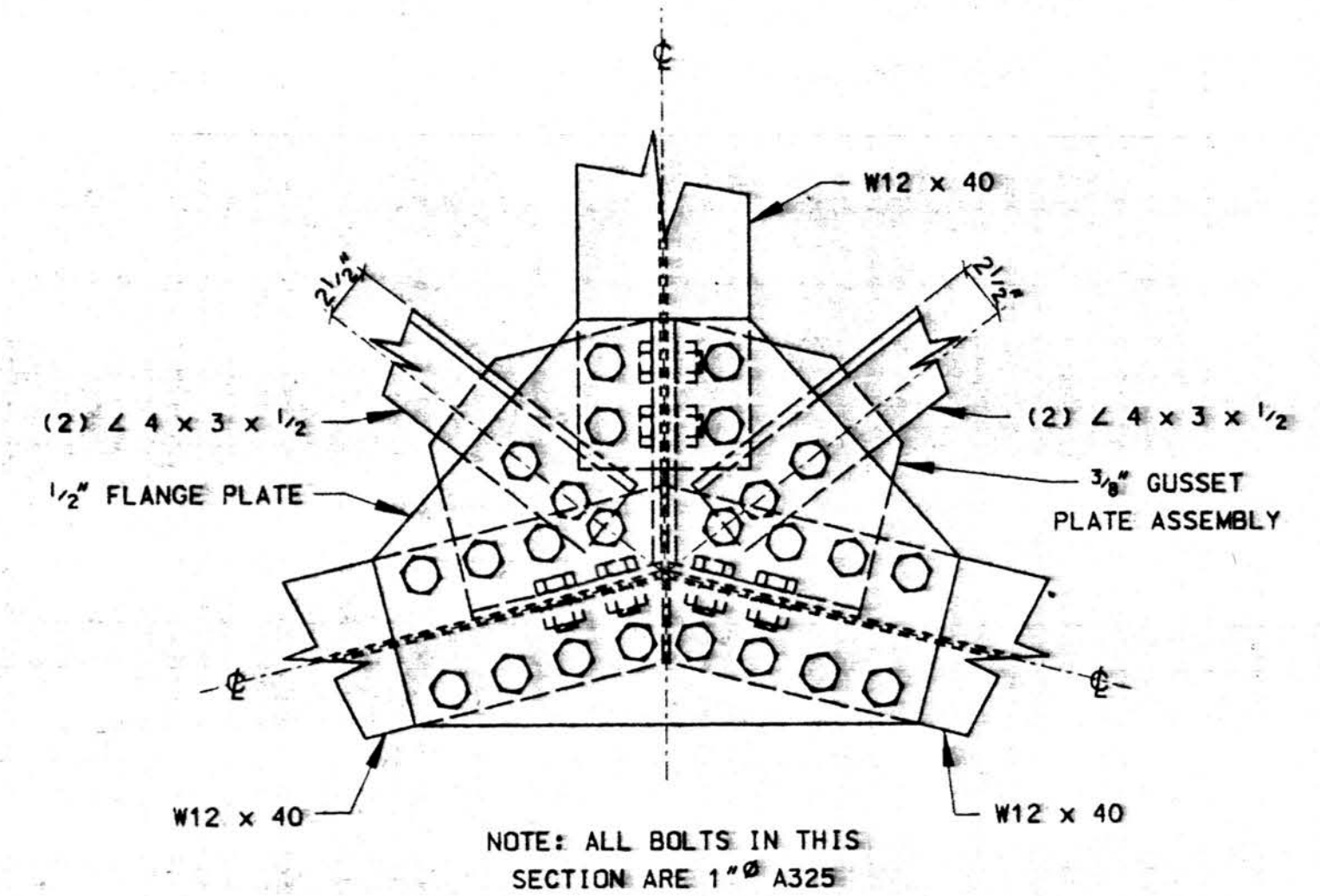
SECTION 5  
VARIES E42



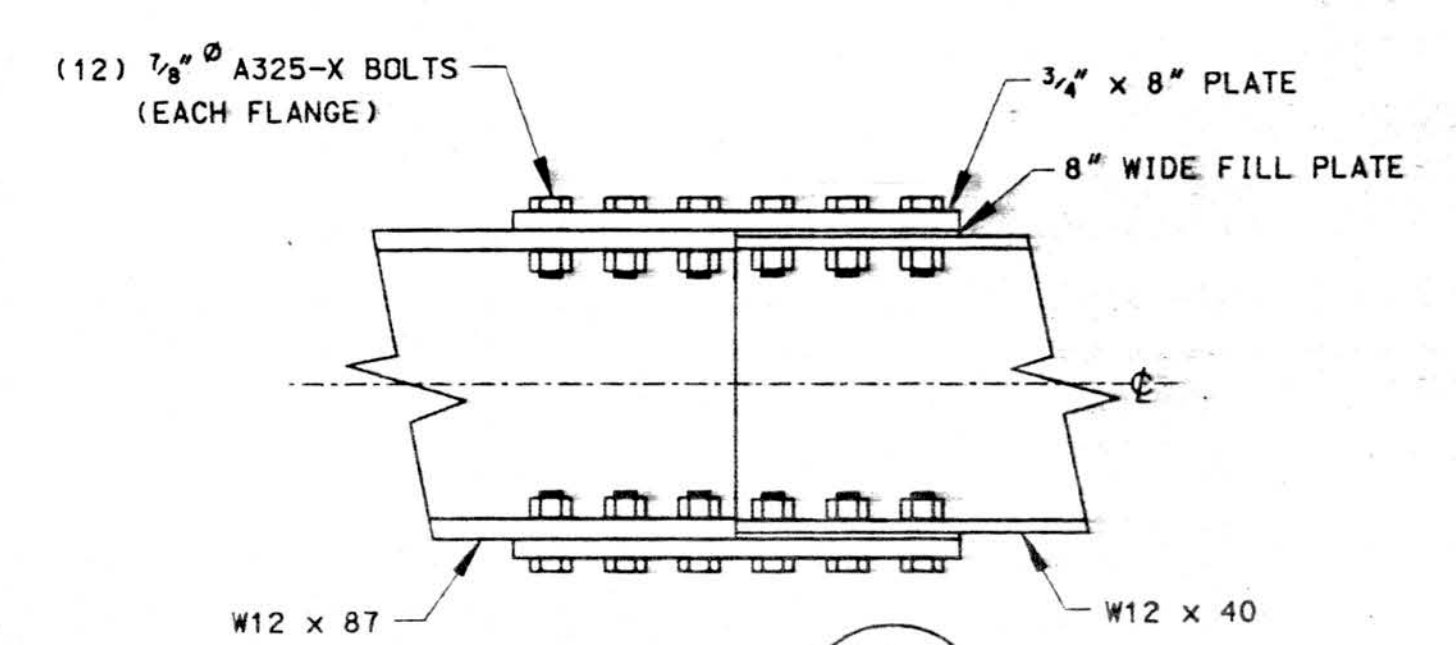
SECTION 6  
VARIES E42



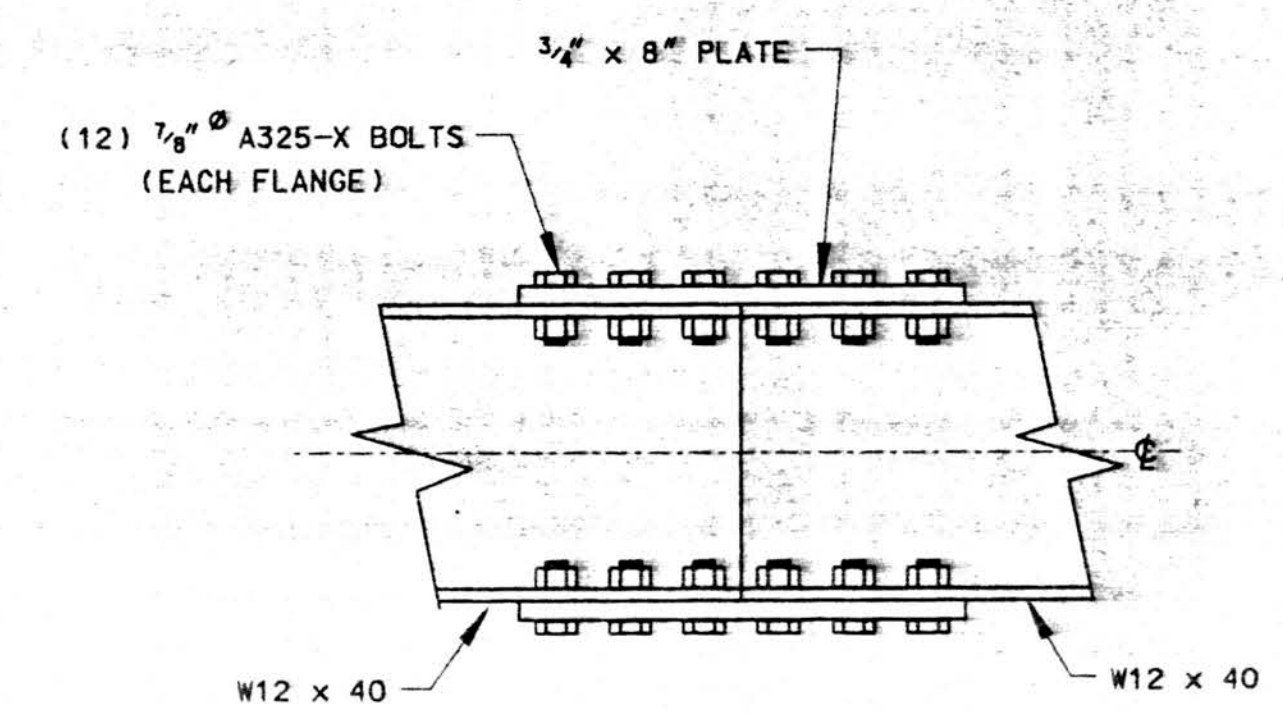
SECTION 7  
VARIES E42



SECTION 10  
VARIES E42



SECTION 8  
VARIES E42



SECTION 9  
VARIES E42

SUBMITTAL REVIEW	
APPROVED	<input type="checkbox"/>
OTHER	<input type="checkbox"/>
APPROVED AS NOTED	<input type="checkbox"/>
RETURN FOR RESUBMITTAL	<input type="checkbox"/>
DISAPPROVED - SEE REMARKS	<input type="checkbox"/>

Review is only for conformance with the design concept and with the information given in the contract documents. The contractor remains responsible for compliance with all requirements of the contract documents.  
 FRANKFURT & SHORT & BRUZA ASSOCIATES, P.C.  
 By: *[Signature]* Date: APR 28 1994  
 SUBMITTAL NO. 3-9126-1510A-02.01



**AMERICAN BUILDINGS COMPANY**  
 Heavy Fabrication Division  
 Bellaire, Texas

Copyright 1994  
 American Buildings Company  
 All Rights Reserved

NO.	REVISION	MADE	CHK'D	DATE
A	FOR APPROVAL	LMC		3/94

Builder: Seattle Construction Services, Inc.  
 Owner: Alaska Industrial Development and Export Authority  
 Building: Line Maintenance Hangar  
 Location: Anchorage, Alaska  
 DRAWN BY: LMC JOB NO. 51-9290  
 CHECKED BY: DATE 2/94 DWG. E42