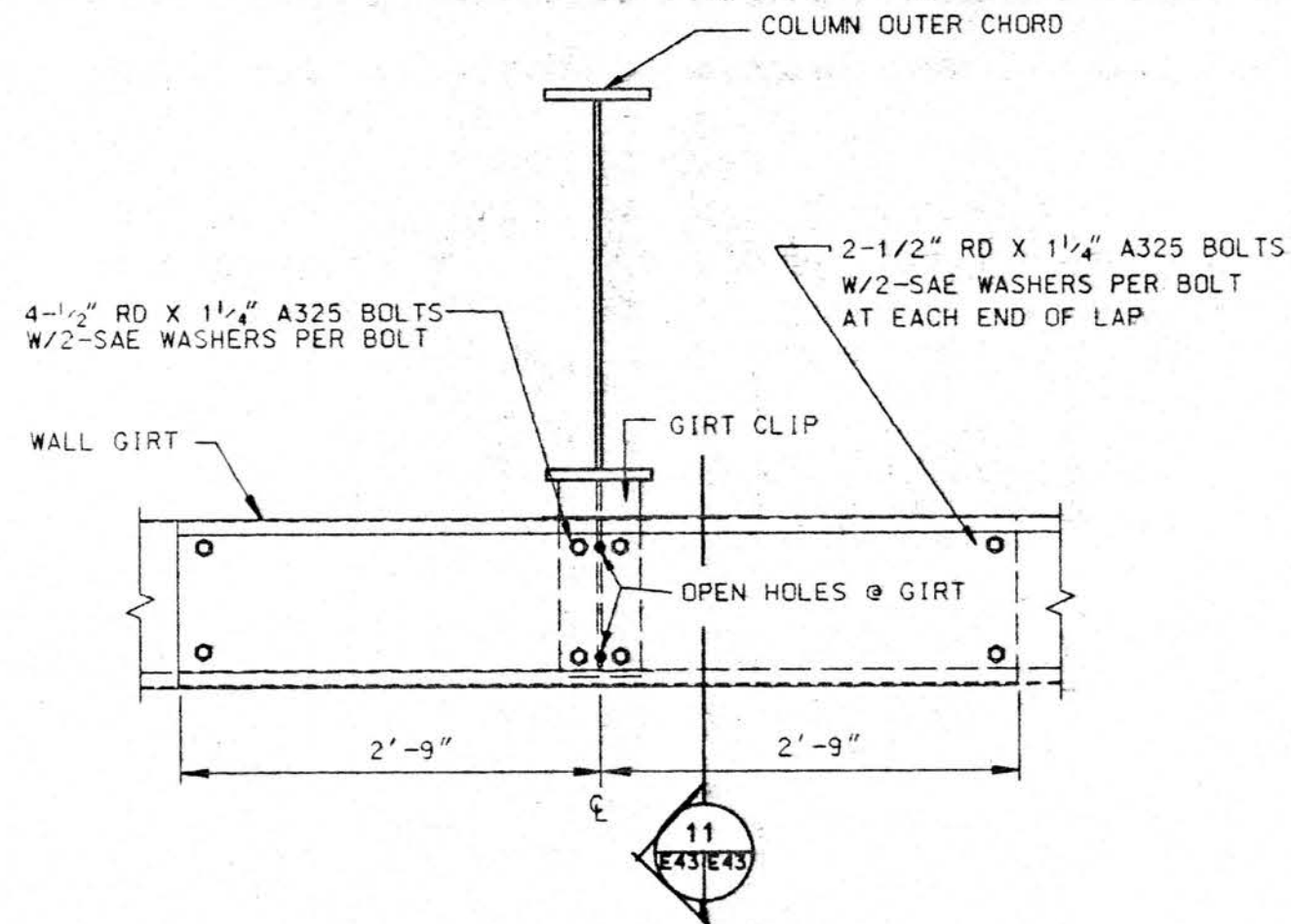
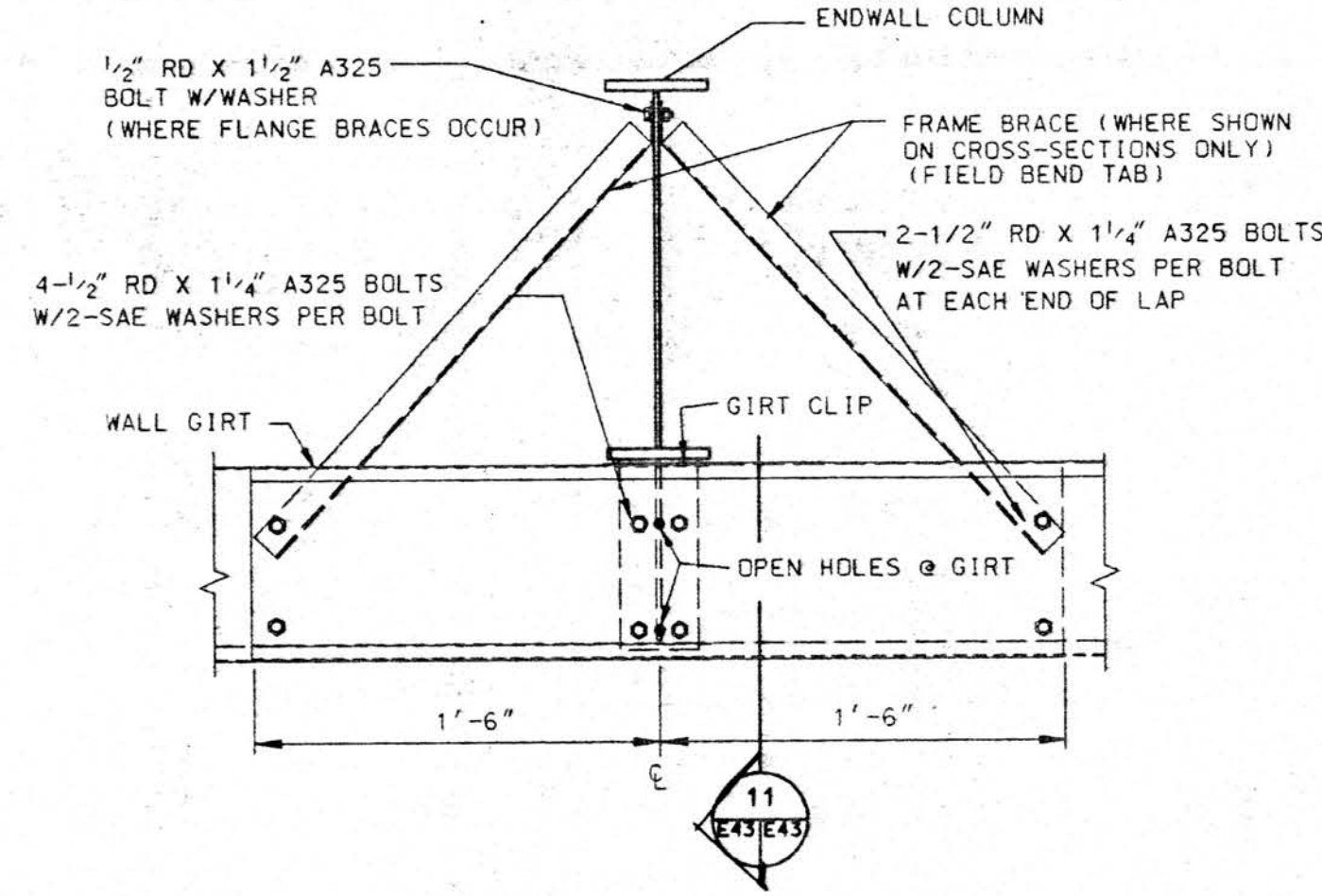


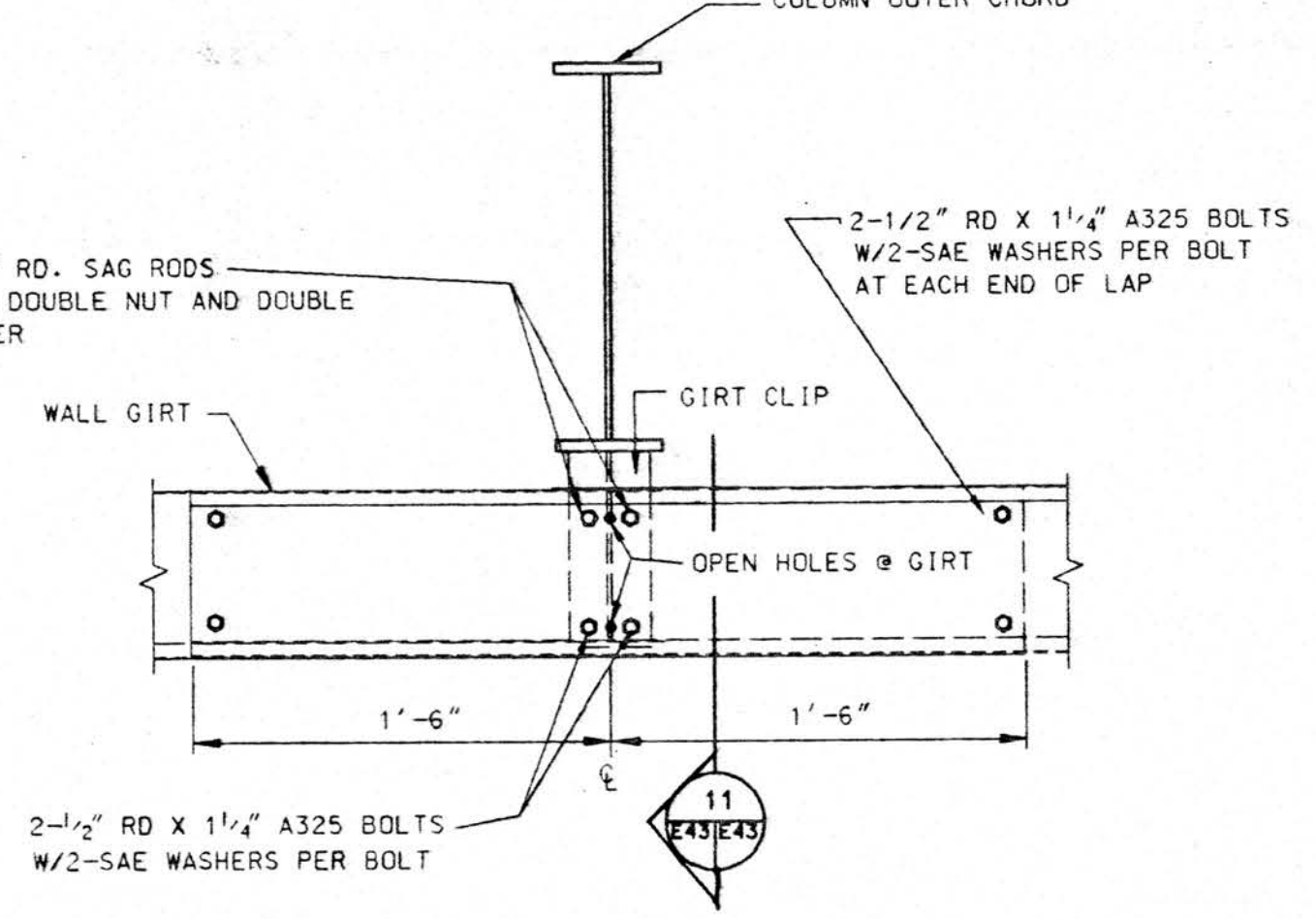
SECTION 1
(TYP. WHERE SAG ROD CONNECTION VARIES E43
DOES NOT FALL AT COL. CLIP)



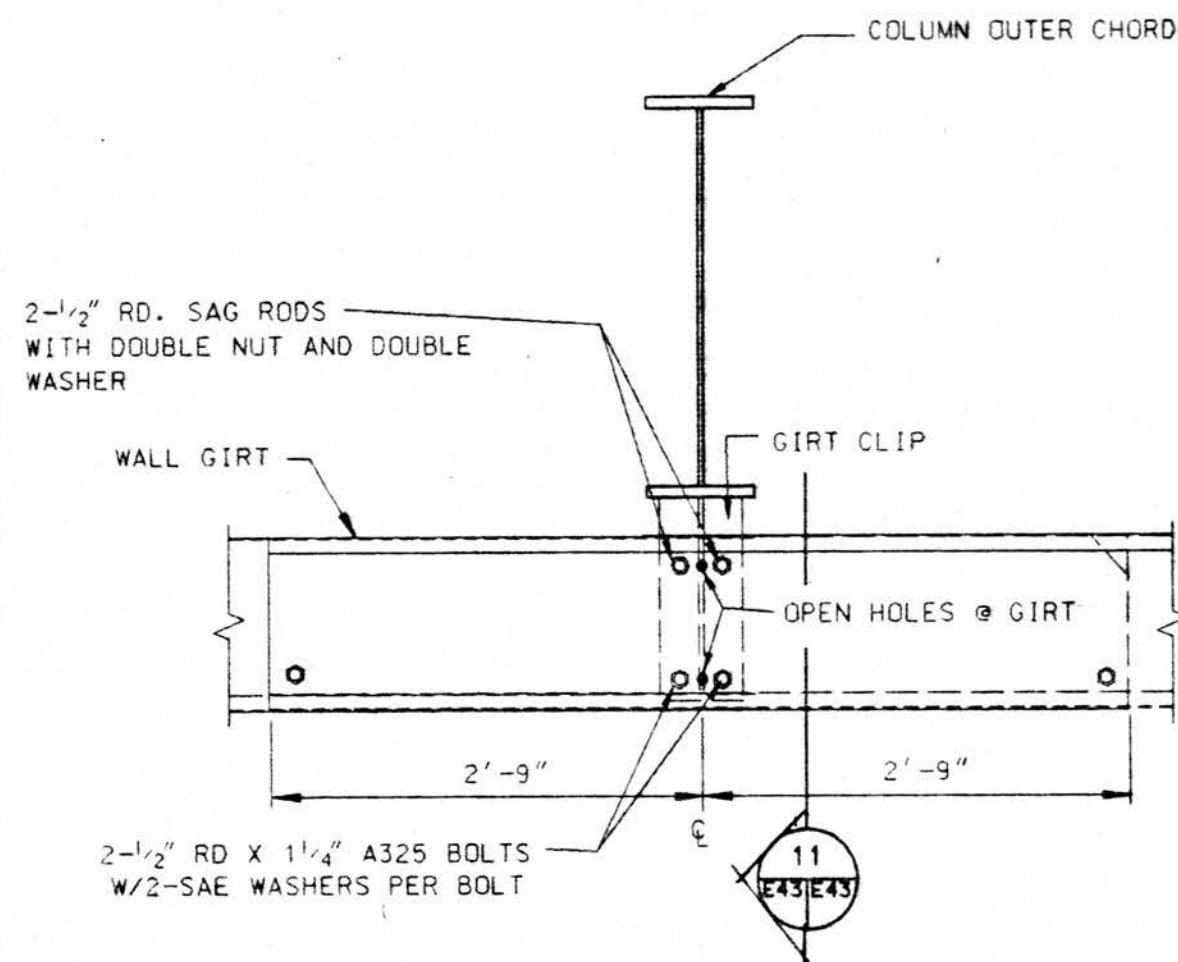
SECTION 2
(TYP. WHERE SAG ROD CONNECTION VARIES E43
DOES NOT FALL AT COL. CLIP)



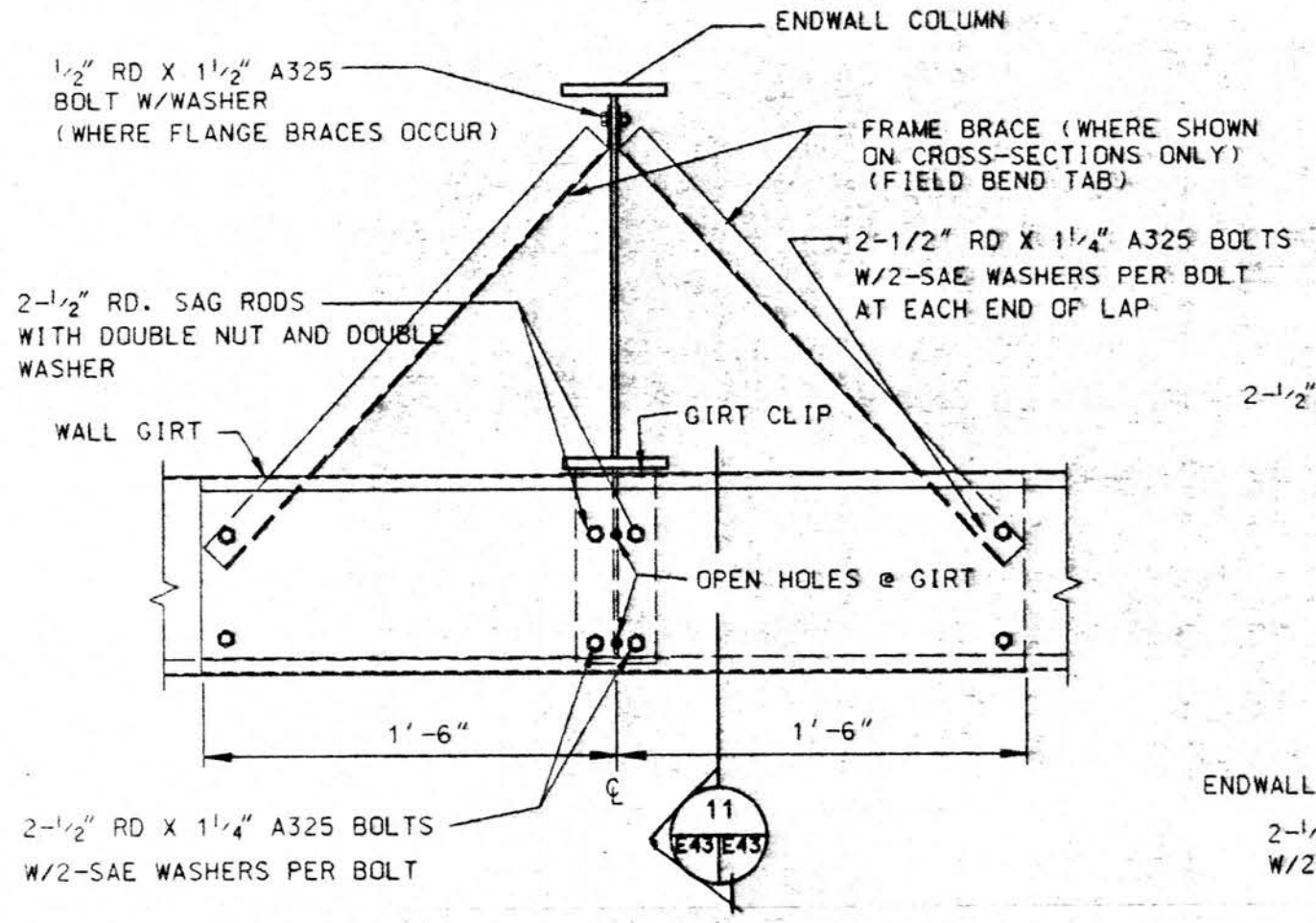
SECTION 3
(TYP. WHERE SAG ROD CONNECTION VARIES E43
DOES NOT FALL AT COL. CLIP)



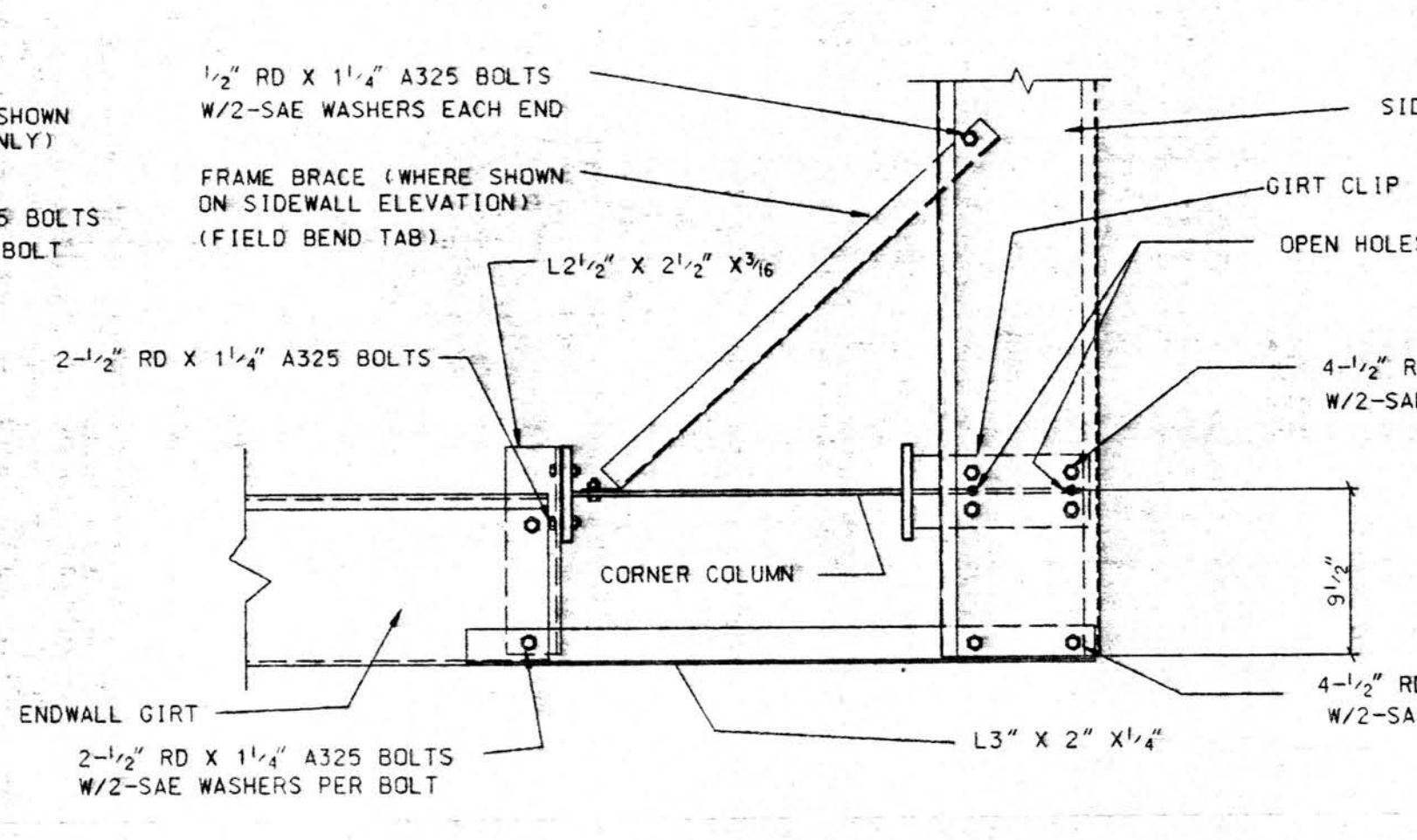
SECTION 4
(TYP. WHERE SAG ROD CONNECTION VARIES E43
FALLS AT COL. CLIP)



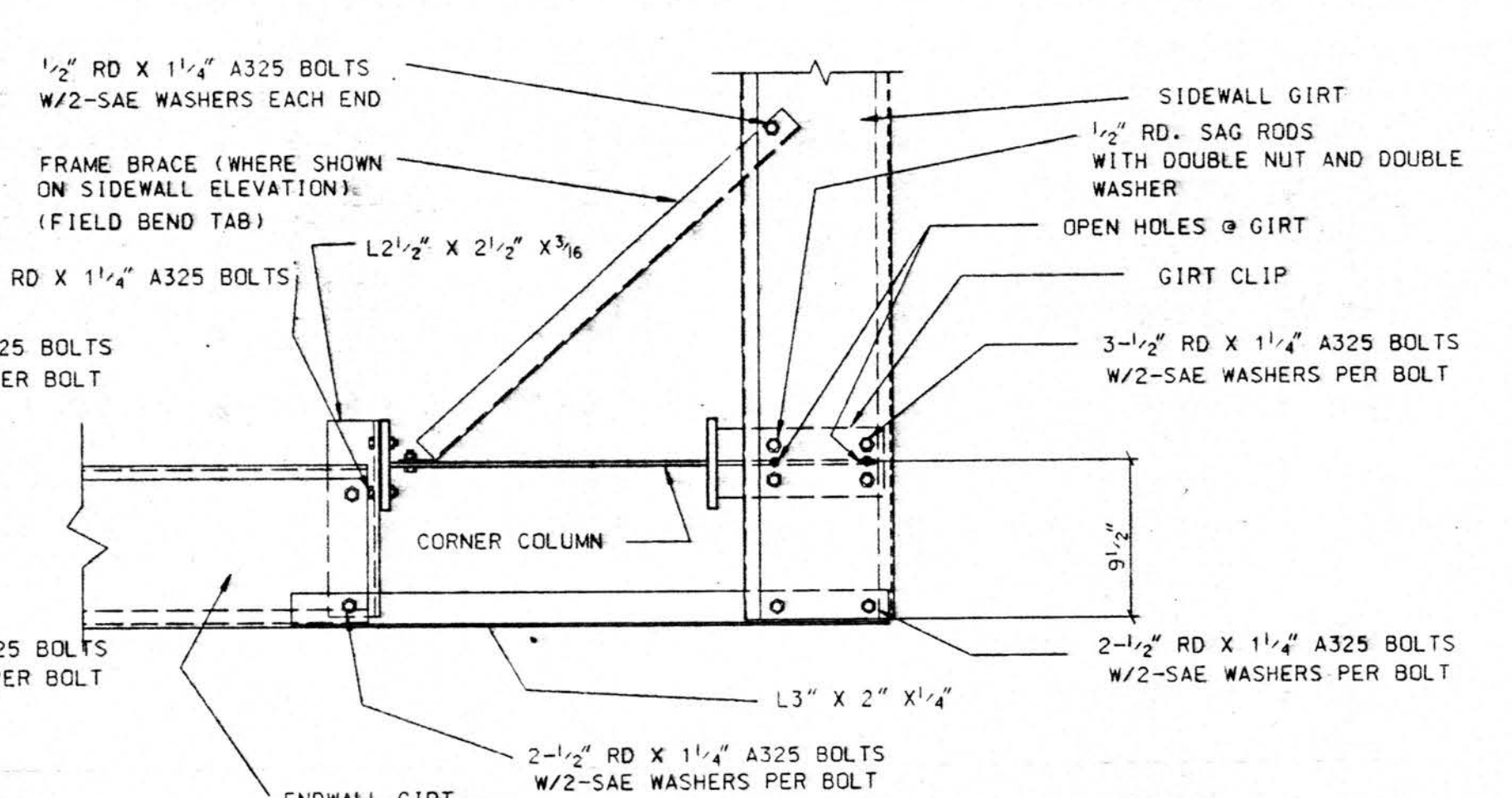
SECTION 5
(TYP. WHERE SAG ROD CONNECTION VARIES E43
FALLS AT COL. CLIP)



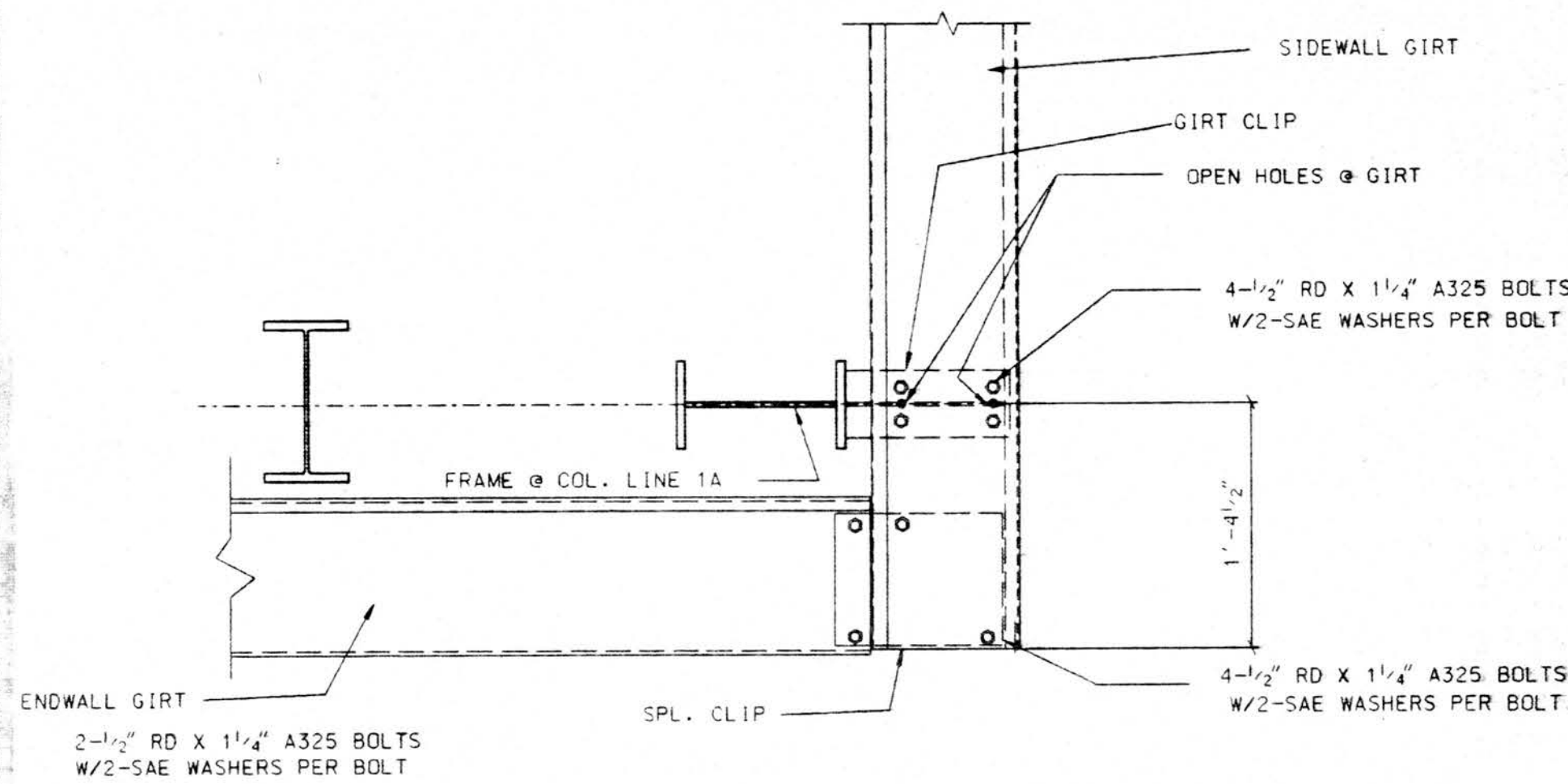
SECTION 6
(TYP. WHERE SAG ROD CONNECTION VARIES E43
FALLS AT COL. CLIP)



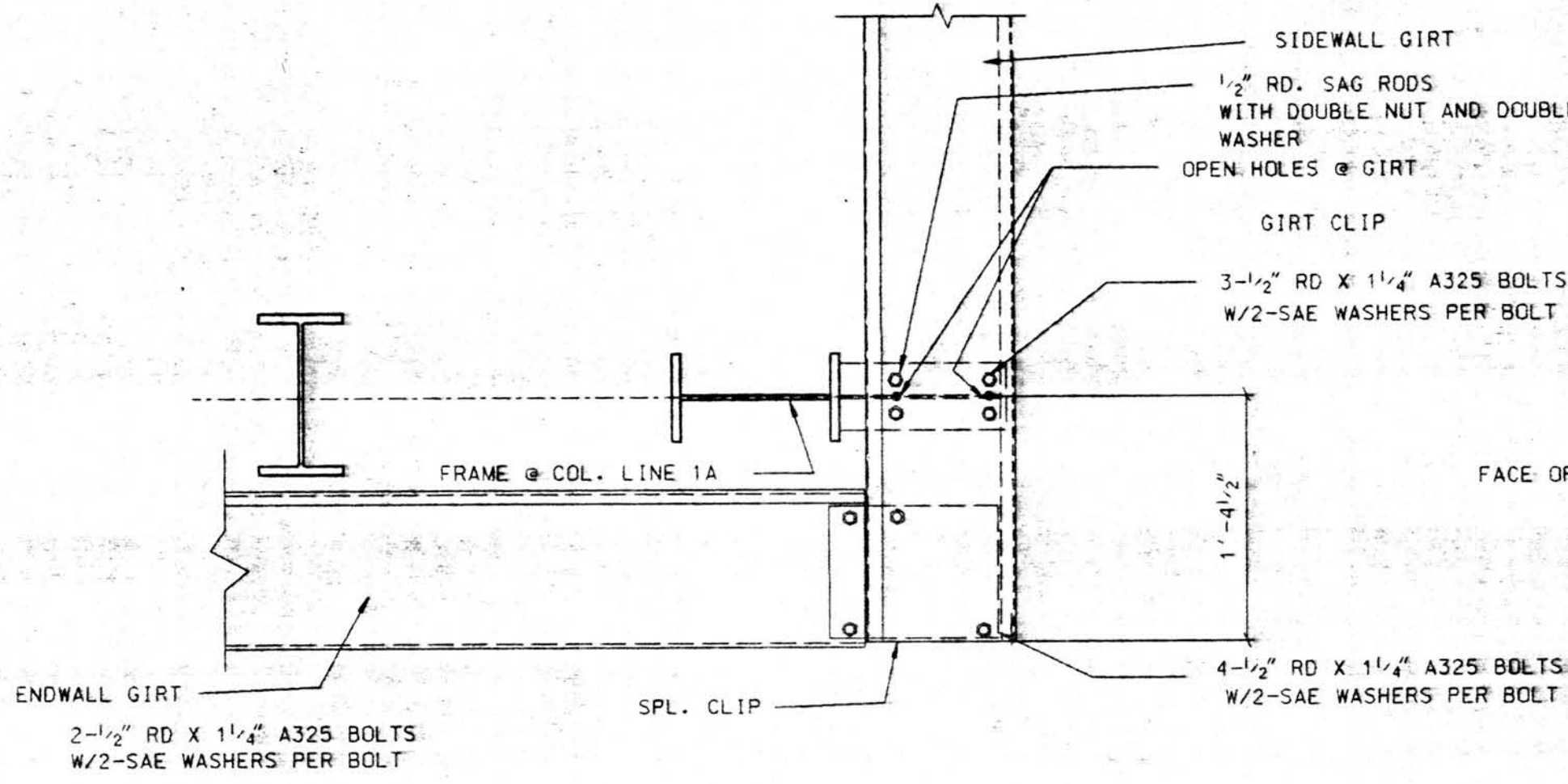
SECTION 7
(TYP. WHERE SAG ROD CONNECTION VARIES E43
DOES NOT FALL AT COL. CLIP)



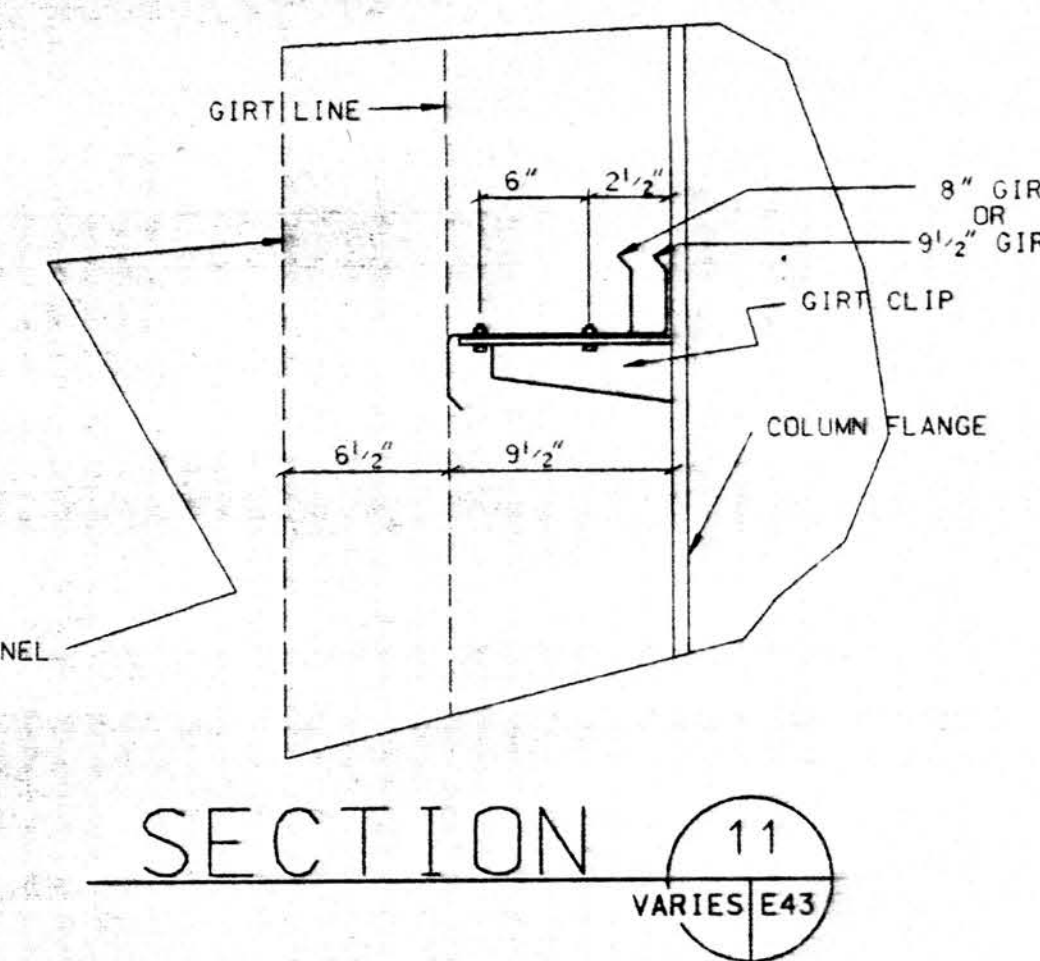
SECTION 8
(TYP. WHERE SAG ROD CONNECTION VARIES E43
FALLS AT COL. CLIP)



SECTION 9
(TYP. WHERE SAG ROD CONNECTION VARIES E43
DOES NOT FALL AT COL. CLIP)



SECTION 10
(TYP. WHERE SAG ROD CONNECTION VARIES E43
FALLS AT COL. CLIP)



SECTION 11
VARIES E43

SUBMITTAL REVIEW	
APPROVED	
OTHER:	
APPROVED AS NOTED	
RETURN FOR RESUBMITTAL	
DISAPPROVED - SEE REMARKS	
<small>Review is only for conformance with the design concept and with the information given in the contract documents. The contractor remains responsible for compliance with all requirements of the contract documents.</small>	
<small>FRANKFURT SHORT & BRUSH ASSOCIATES, P.C. By [Signature] Date APR 26 1994</small>	
SUBMITTAL NO. 5-4126-13120A-02-00	

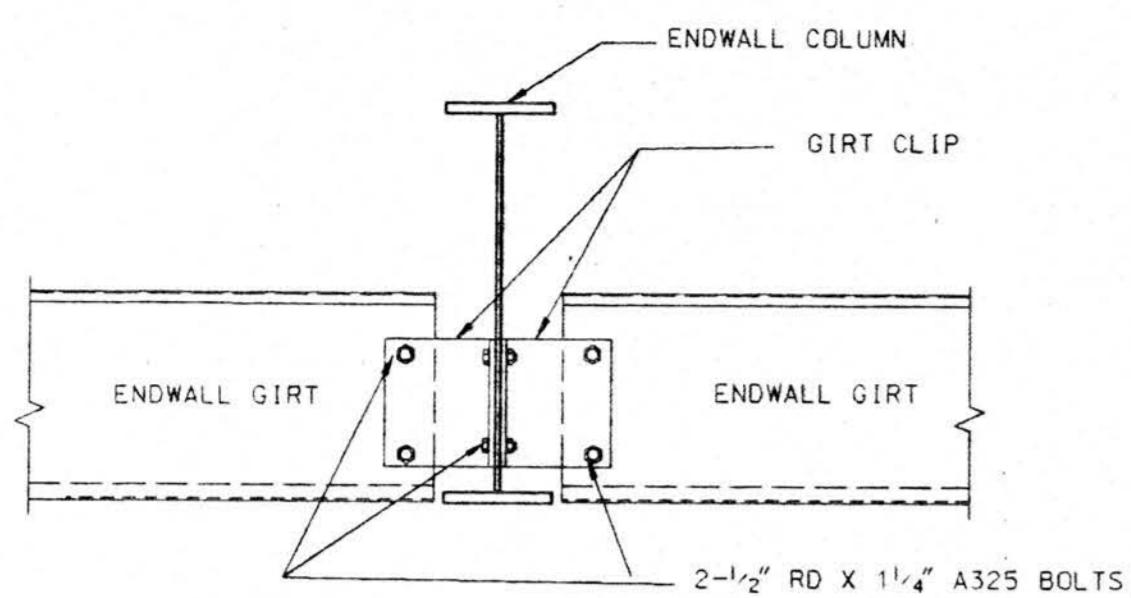


AMERICAN BUILDINGS COMPANY
Heavy Fabrication Division
Bellaire, Texas

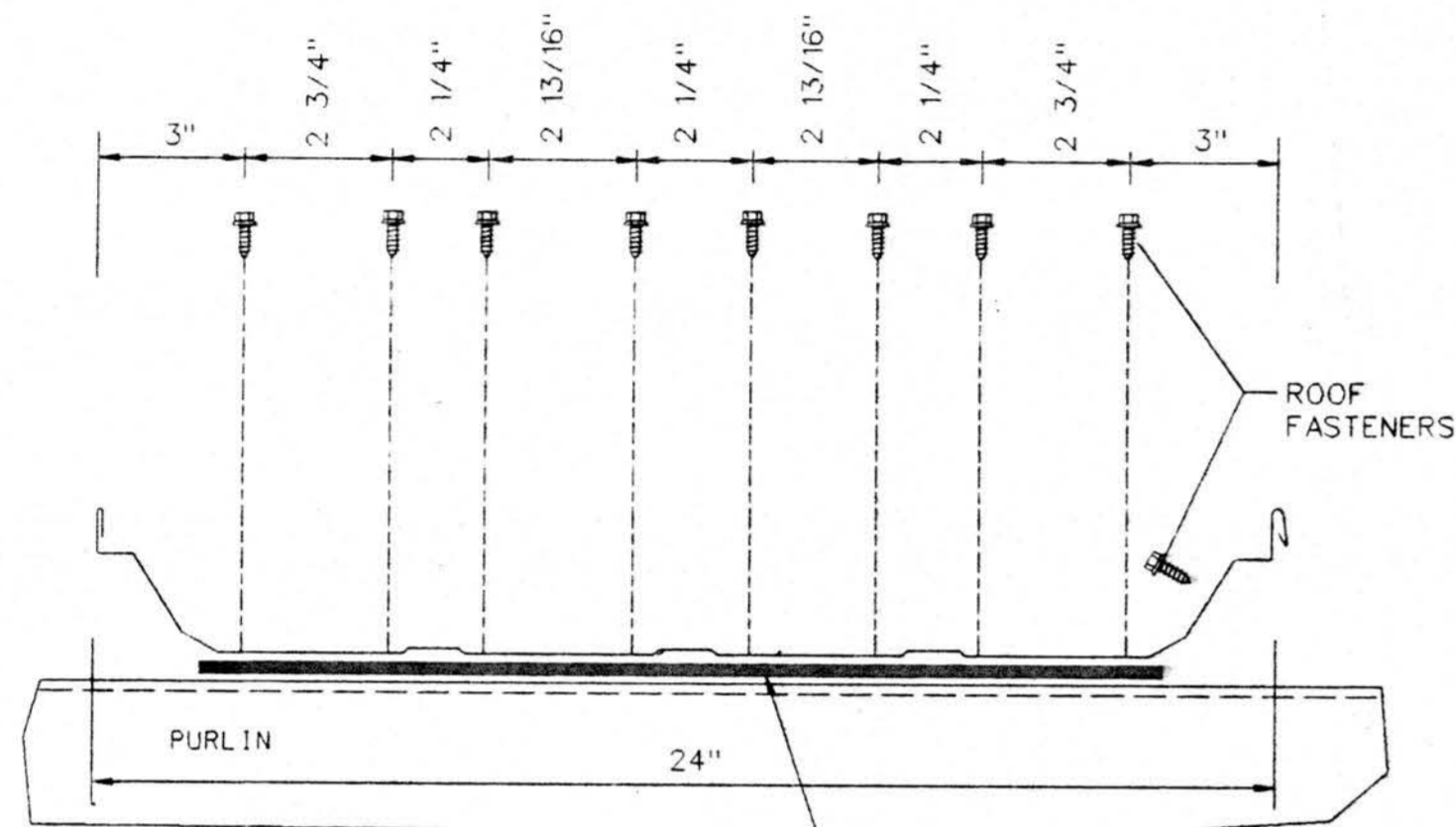
NO.	REVISION	MADE	CHK'D	DATE
A	FOR APPROVAL	LMC		3/94

LIL 85370

© Copyright 1994 American Buildings Company All Rights Reserved				
Builder: Seattle Construction Services, Inc.				
Owner: Alaska Industrial Development and Export Authority				
Building: Line Maintenance Hangar				
Location: Anchorage, Alaska				
DRAWN BY	LMC	JOB NO.	51-9290	
CHECKED BY		DATE	2/94 DWG. E43	

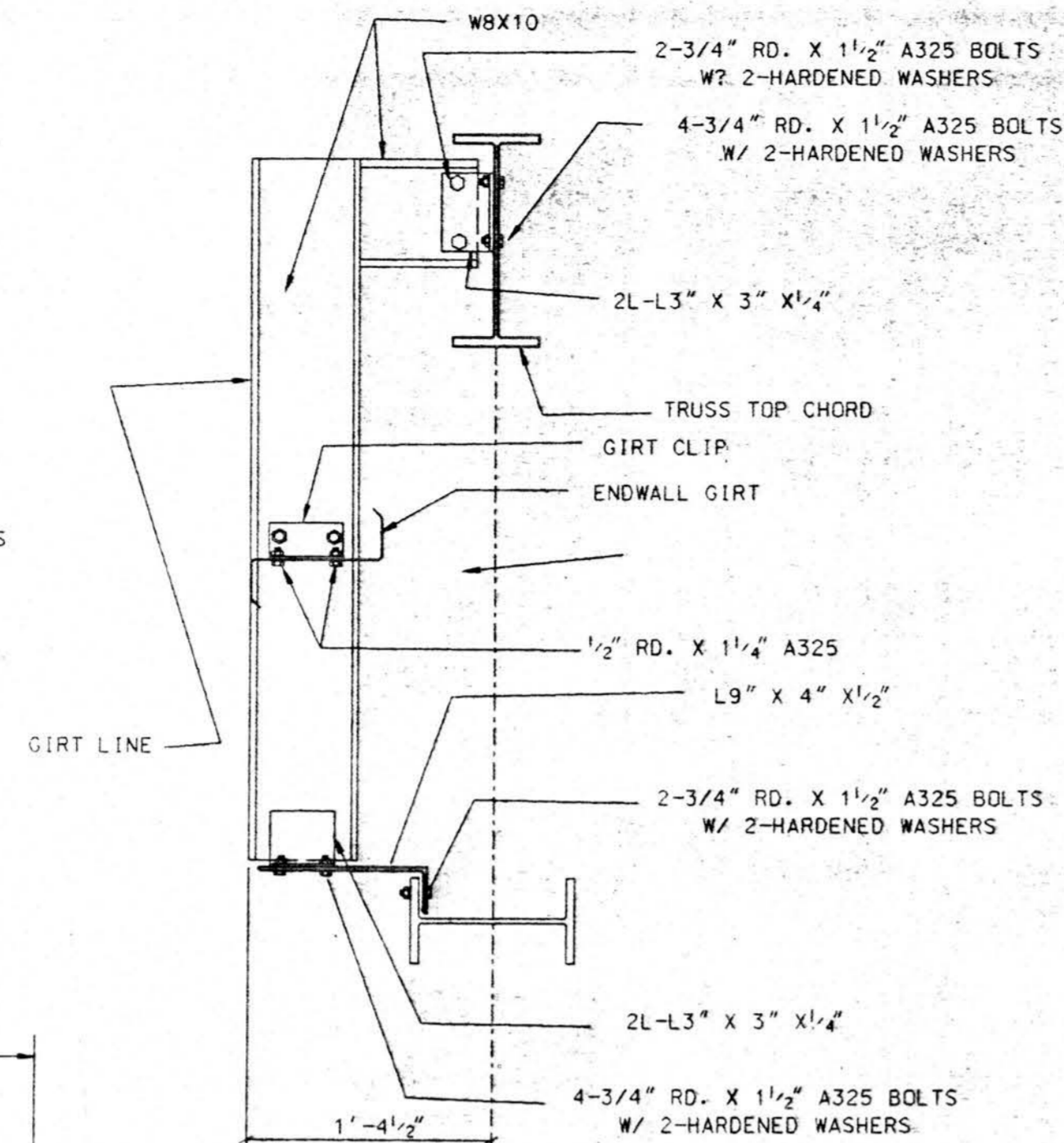


SECTION 1
(TYP. DETAIL FOR GIRT CONNECTION @ COLUMN LINE 1A)
VARIES E45

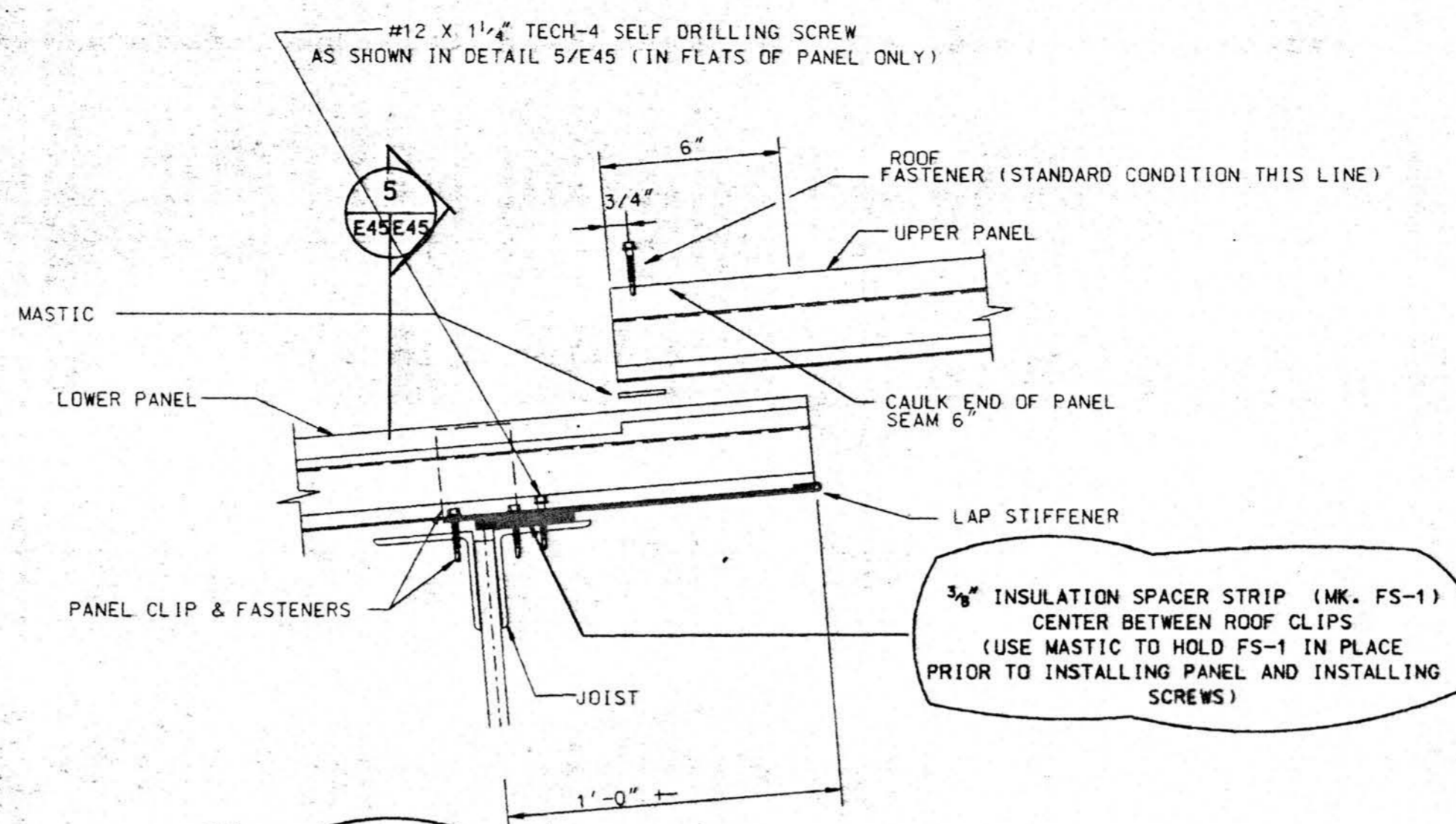


NOTE: DIMPLES ARE FOR LOCATING FASTENERS. DO NOT USE AT EAVE LOCATION FOR ATTACHING FASTENERS.

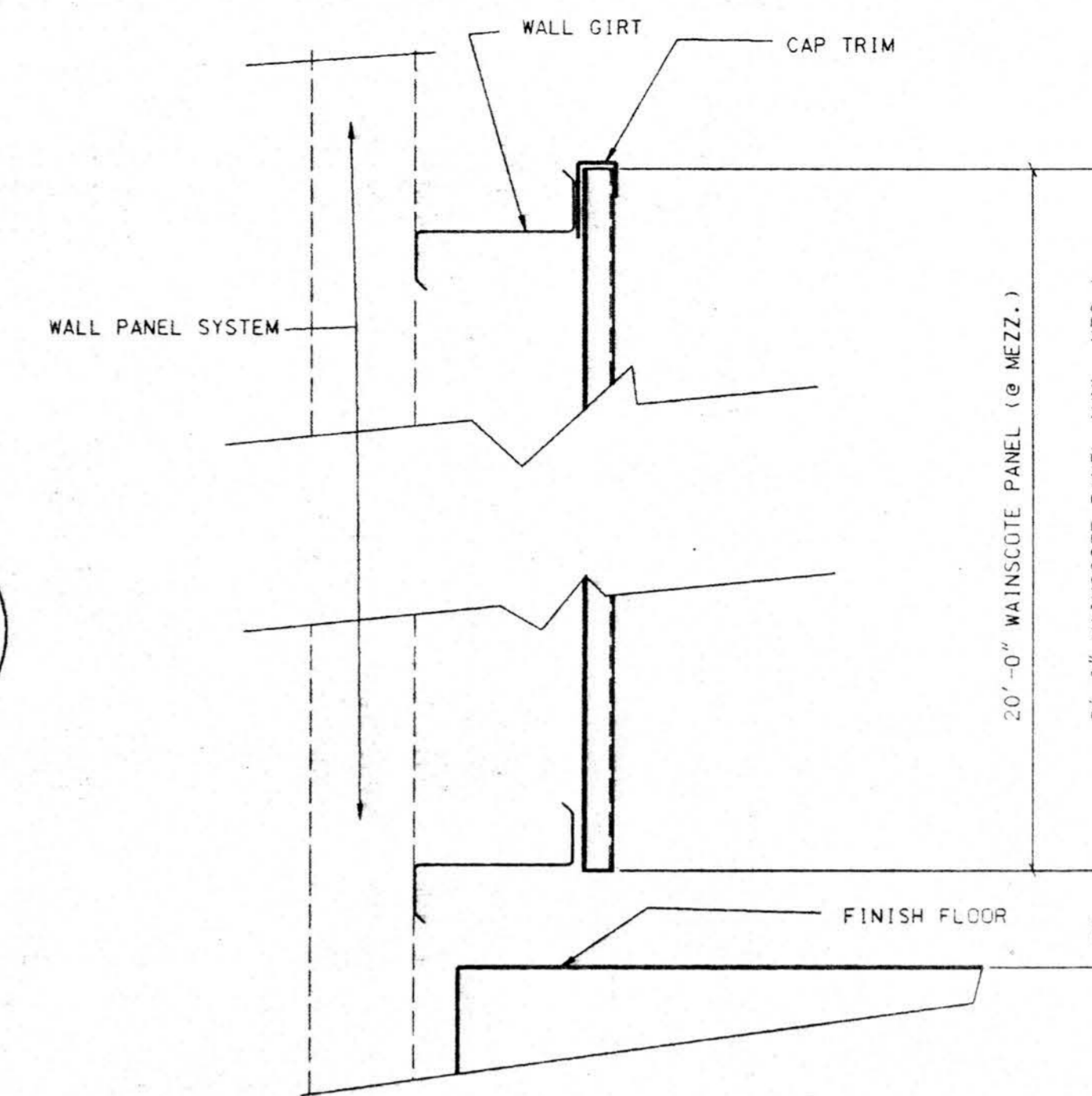
SECTION 2
PANEL LAP FOR FIRST PANEL LAP FROM EAVE OF BUILDING
VARIES E45



SECTION 3
VARIES E45



SECTION 4
VARIES E45



SECTION 5
VARIES E45



SUBMITTAL REVIEW	
<input type="checkbox"/>	APPROVED
<input type="checkbox"/>	OTHER:
<input checked="" type="checkbox"/>	APPROVED AS NOTED
<input type="checkbox"/>	RETURN FOR RESUBMITTAL
<input type="checkbox"/>	DISAPPROVED - SEE REMARKS
<small>Review is only for conformance with the design concept and with the information given in the contract documents. The contractor remains responsible for compliance with all requirements of the contract documents.</small>	
FRANKFURT • SHORT • BRUZA ASSOCIATES, P.C.	
By: <u>KAW</u>	Date: <u>APR 28 1994</u>
SUBMITTAL NO. <u>5-1126-15120A-02-02</u>	

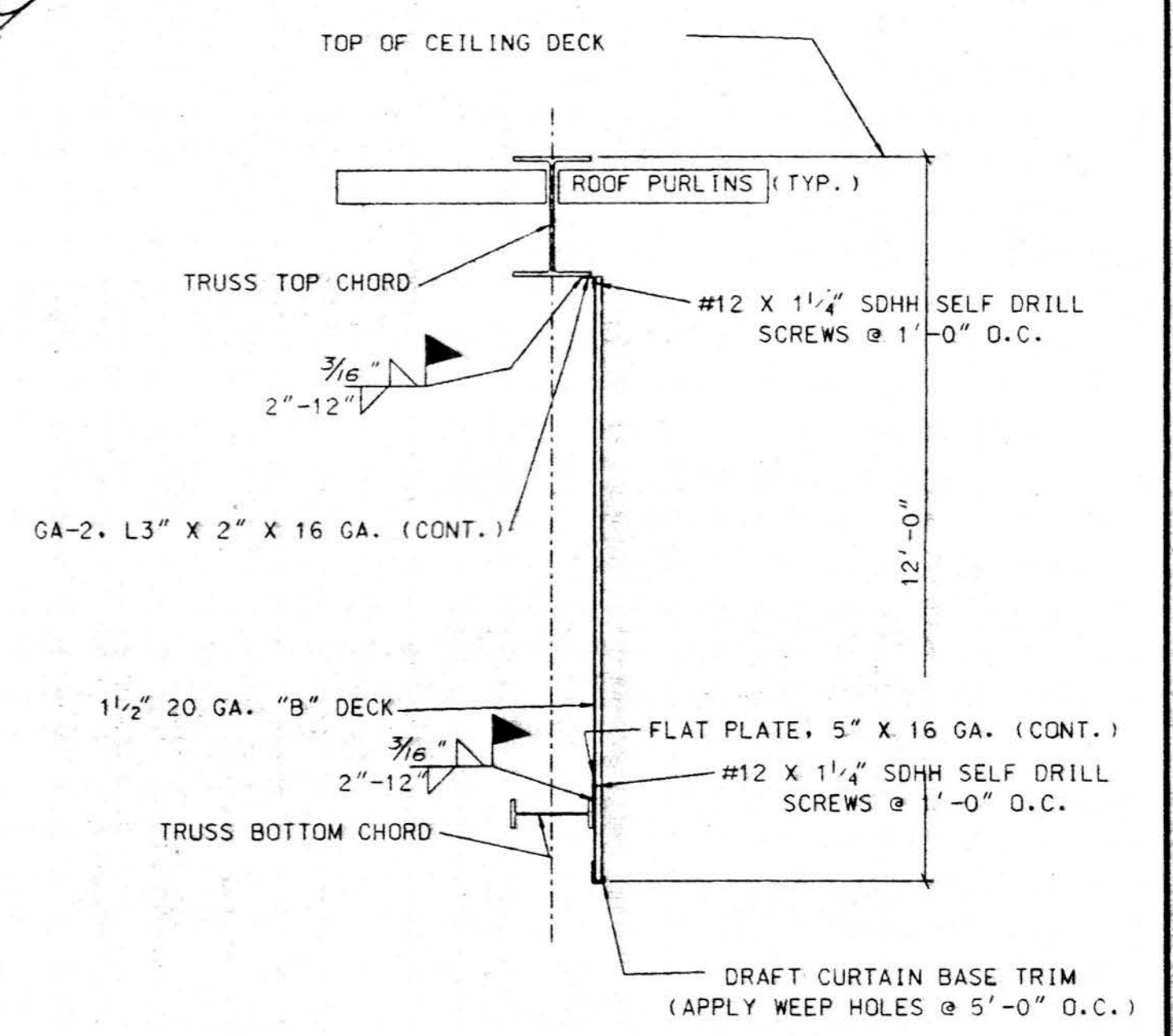
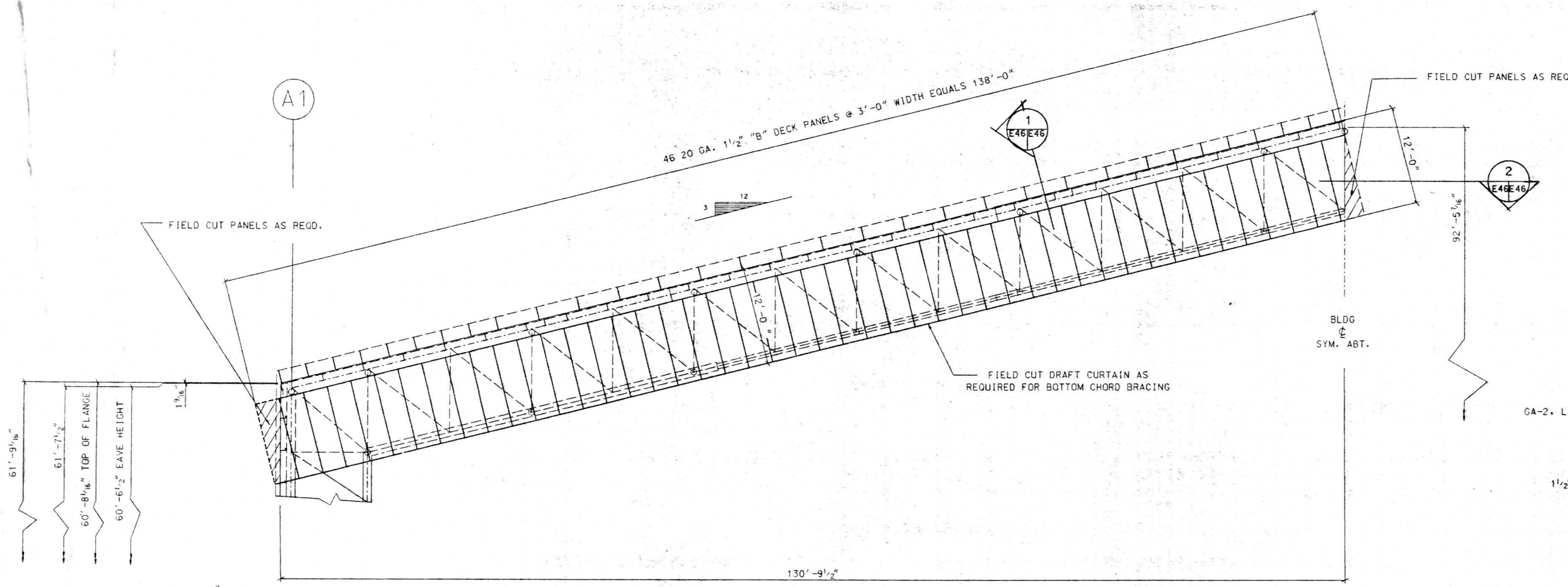
AMERICAN BUILDINGS COMPANY
Heavy Fabrication Division
Bellaire, Texas

NO.	REVISION	MADE	CHK'D	DATE
A	FOR APPROVAL	LMC		3/94
		LIL	85372	

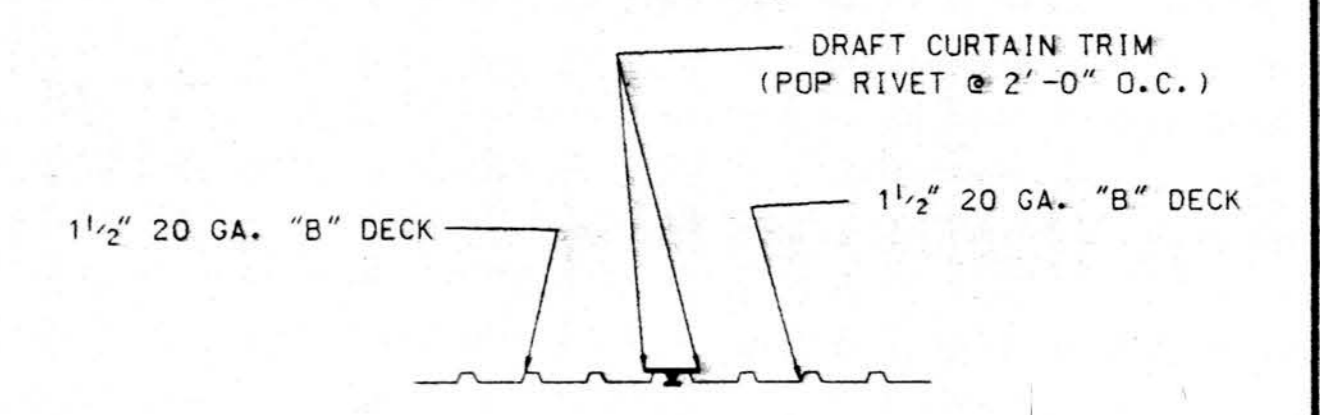
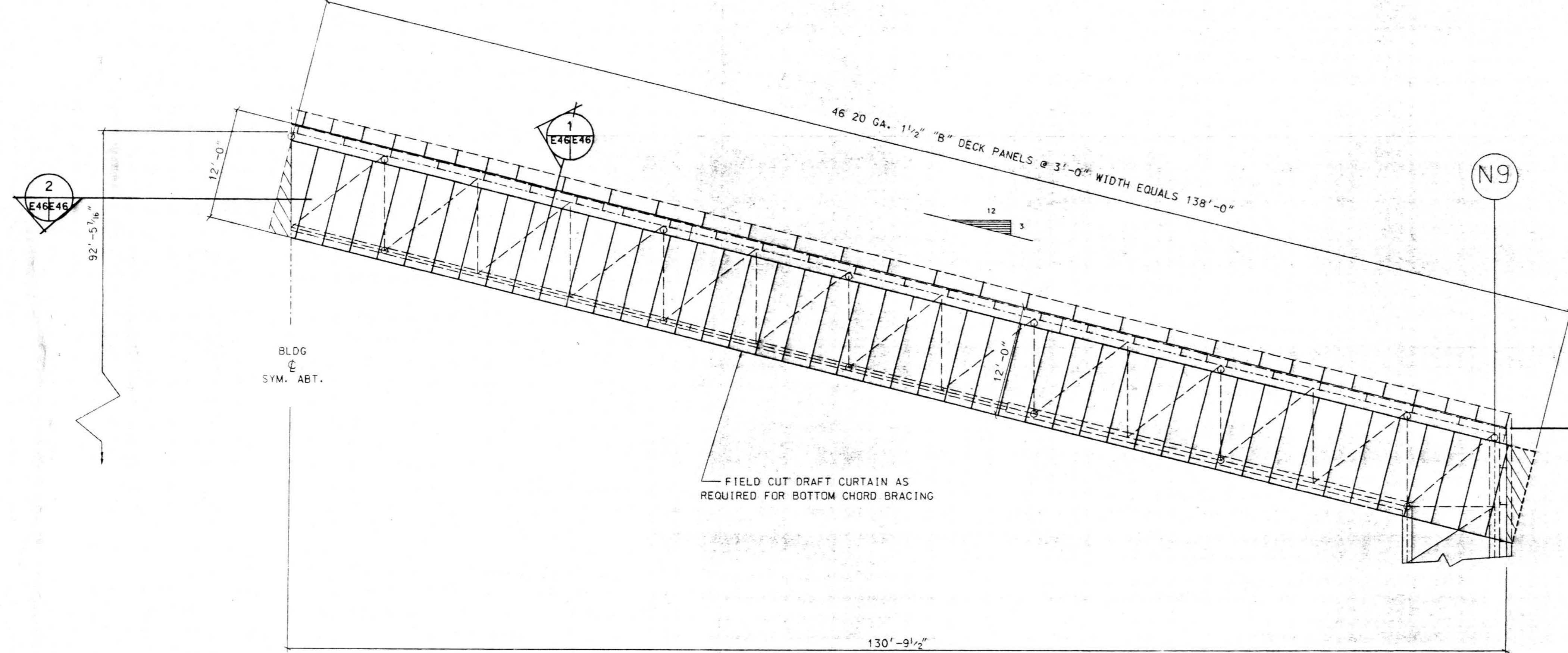
© Copyright 1984 American Buildings Company. All Rights Reserved.

Builder: Seattle Construction Services, Inc.
Owner: Alaska Industrial Development and Export Authority
Building: Line Maintenance Hangar
Location: Anchorage, Alaska

DRAWN BY: LMC JOB NO.: 51-9290
CHECKED BY: DATE: 2/94 DWG.: E45



SECTION 1
E46 E46



SECTION 2
E46 E46

MAR 24 1994

STATE OF ALASKA
DIVISION OF CONSTRUCTION
REGISTERED PROFESSIONAL ENGINEER
ALEXANDER P. WANGUIZ
CE 4640

SUBMITTAL REVIEW

APPROVED: _____
 OTHER: _____
 APPROVED AS NOTED
 RETURN FOR RESUBMITTAL
 DISAPPROVED - SEE REMARKS

Review is only for conformance with the design concept and with the information given in the contract documents. The contractor remains responsible for compliance with all requirements of the contract documents.

FRANKFURT • SHORT • BRUZA ASSOCIATES, P.C.
 By: *[Signature]* Date: APR 28 1994
 SUBMITTAL NO. S-9176-1310A

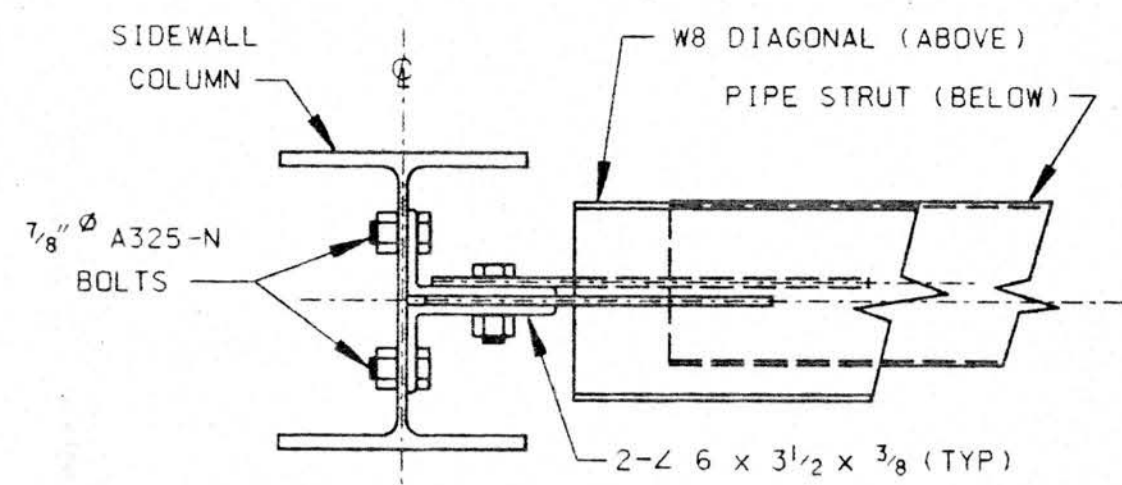
TYPICAL DRAFT CURTAIN PANEL LAY-OUT @ COL. LINE 3, 5, 7, 9, 11, & 13

NO.	REVISION	MADE	CHK'D	DATE
A	FOR APPROVAL	LMC		3/94
		LIL	85373	

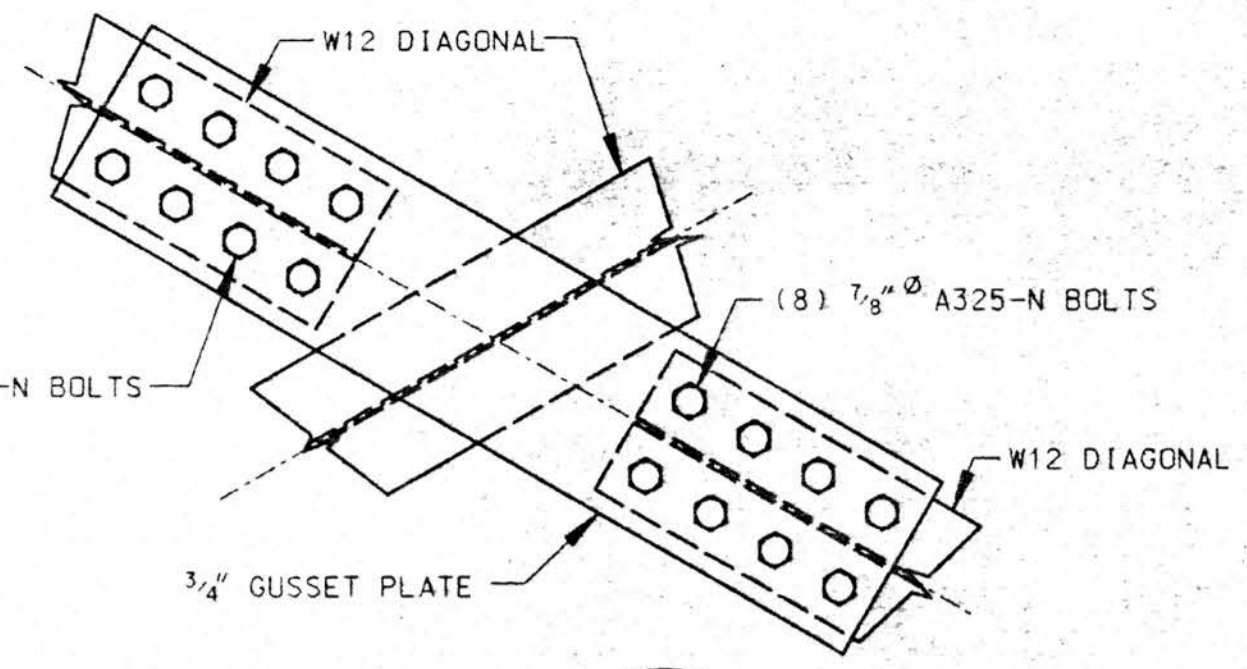
© Copyright 1994
 American Buildings Company
 All Rights Reserved

Builder: Seattle Construction Services, Inc.
 Owner: Alaska Industrial Development and Export Authority
 Building: Line Maintenance Hangar
 Location: Anchorage, Alaska

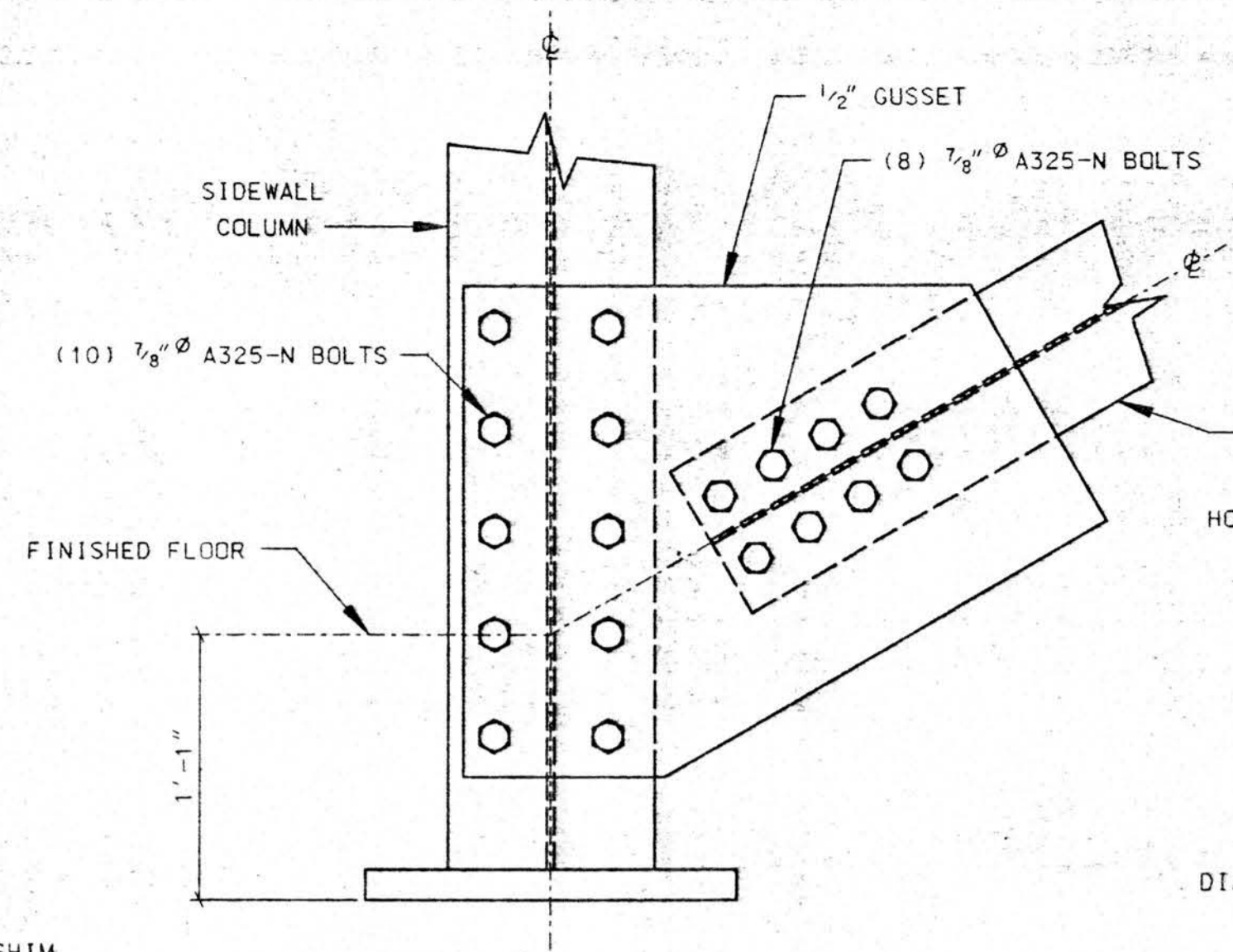
DRAWN BY: LMC JOB NO.: 51-9290
 CHECKED BY: _____ DATE 2/94 DWG. E46



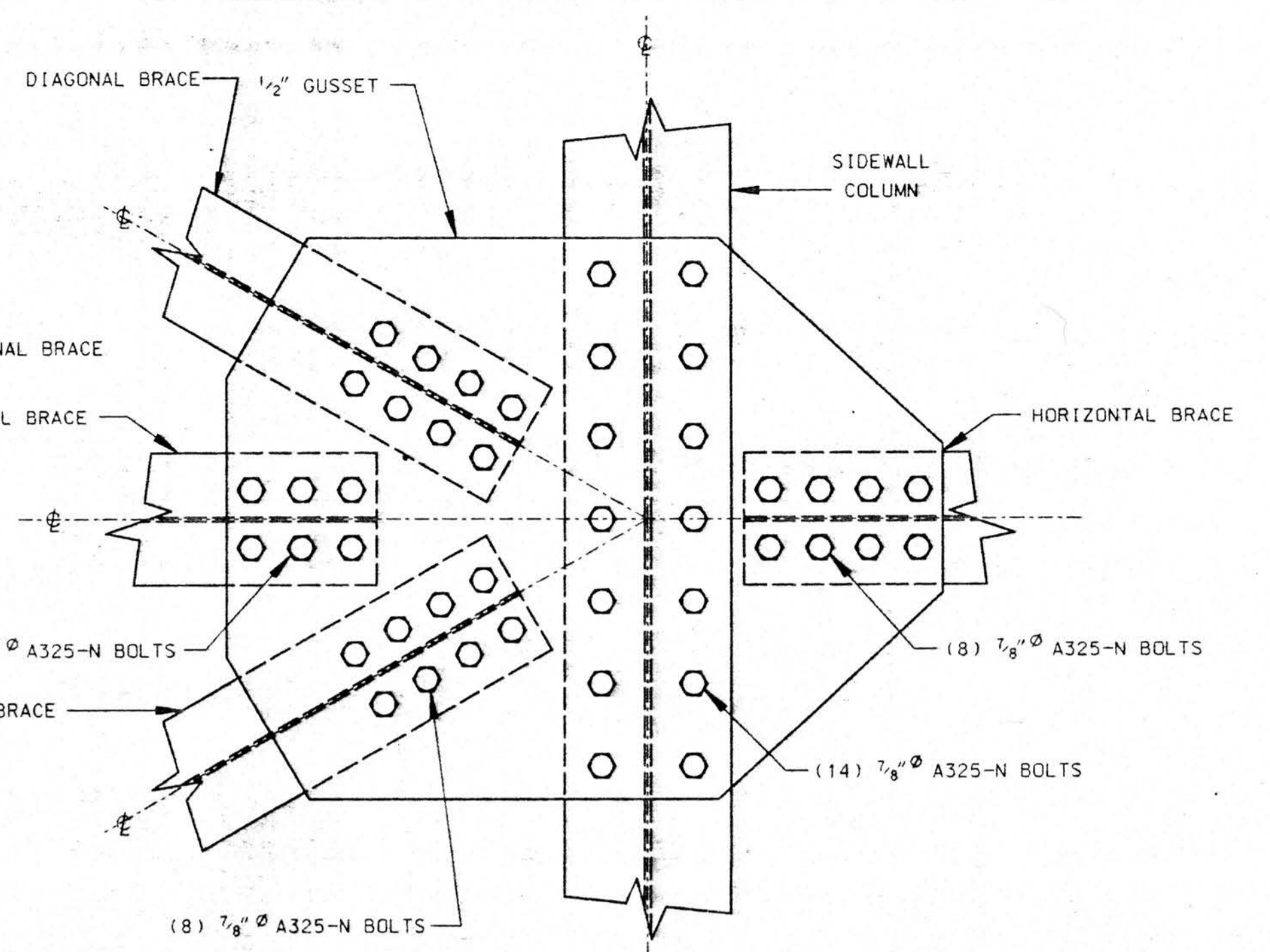
SECTION 1
TYP. E47



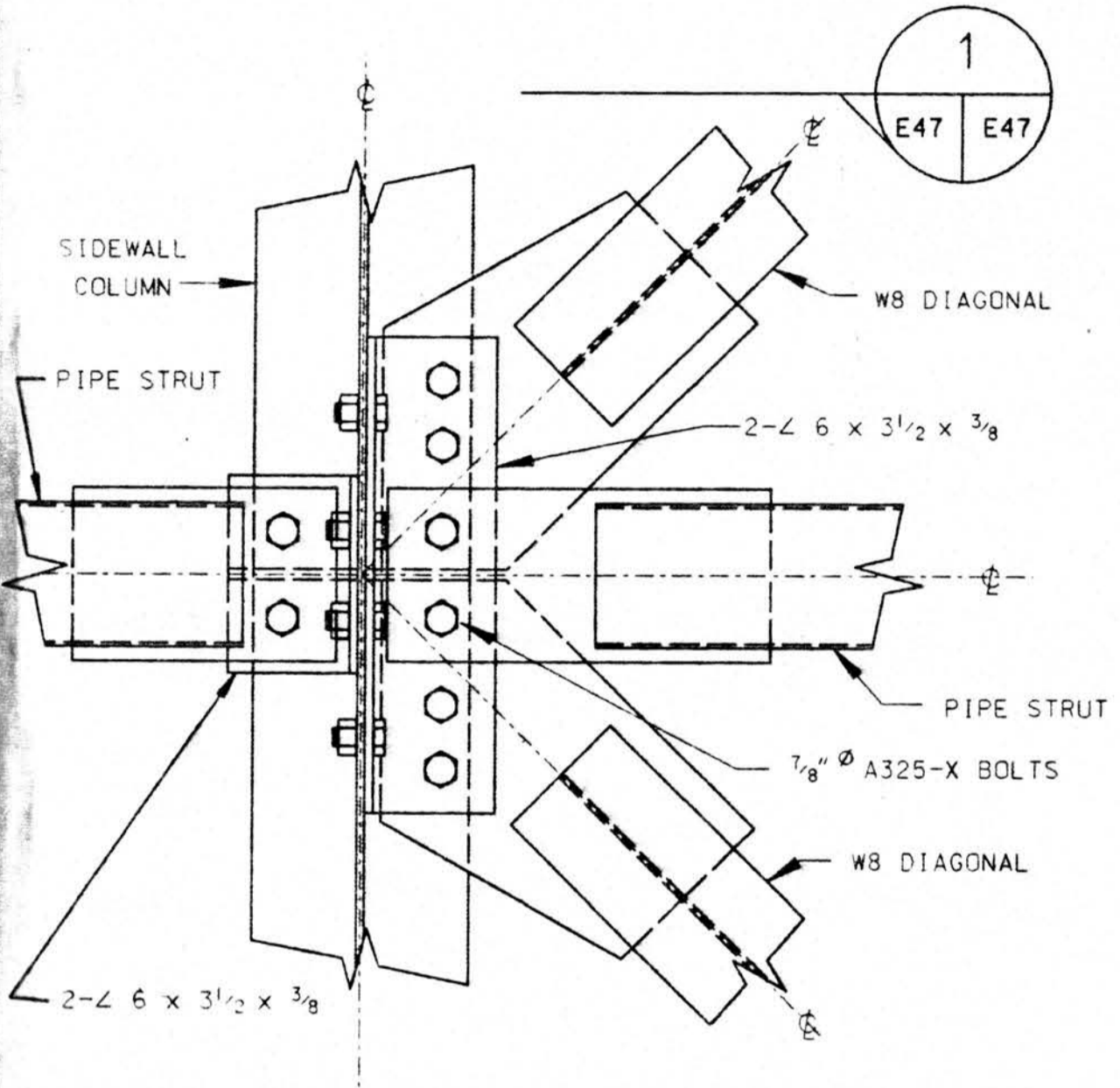
SECTION 4
TYP. E47



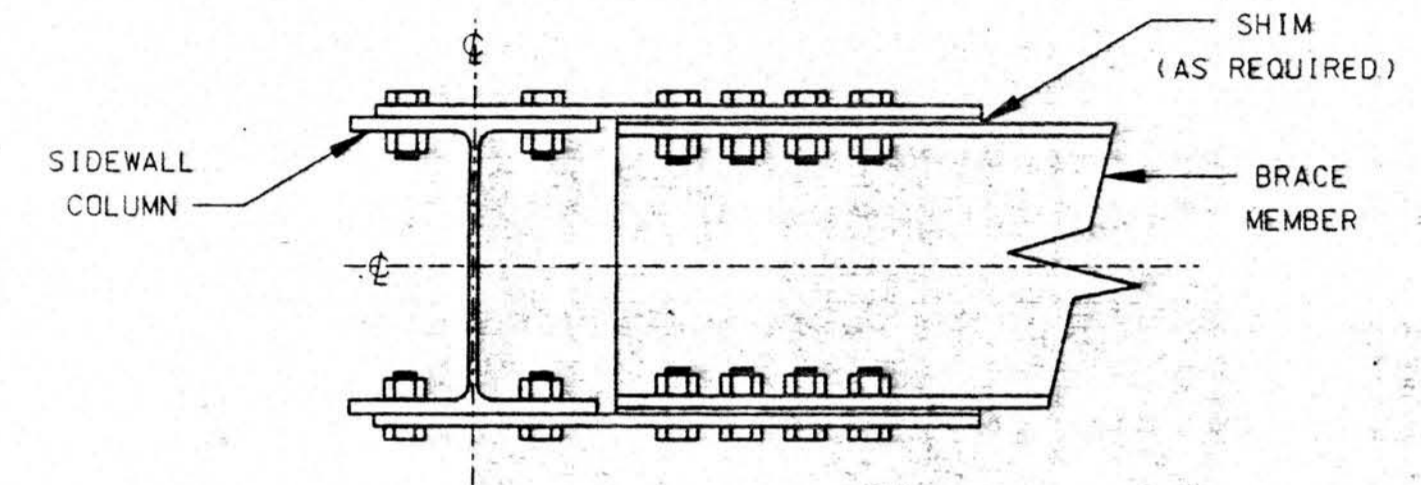
SECTION 7
TYP. E47



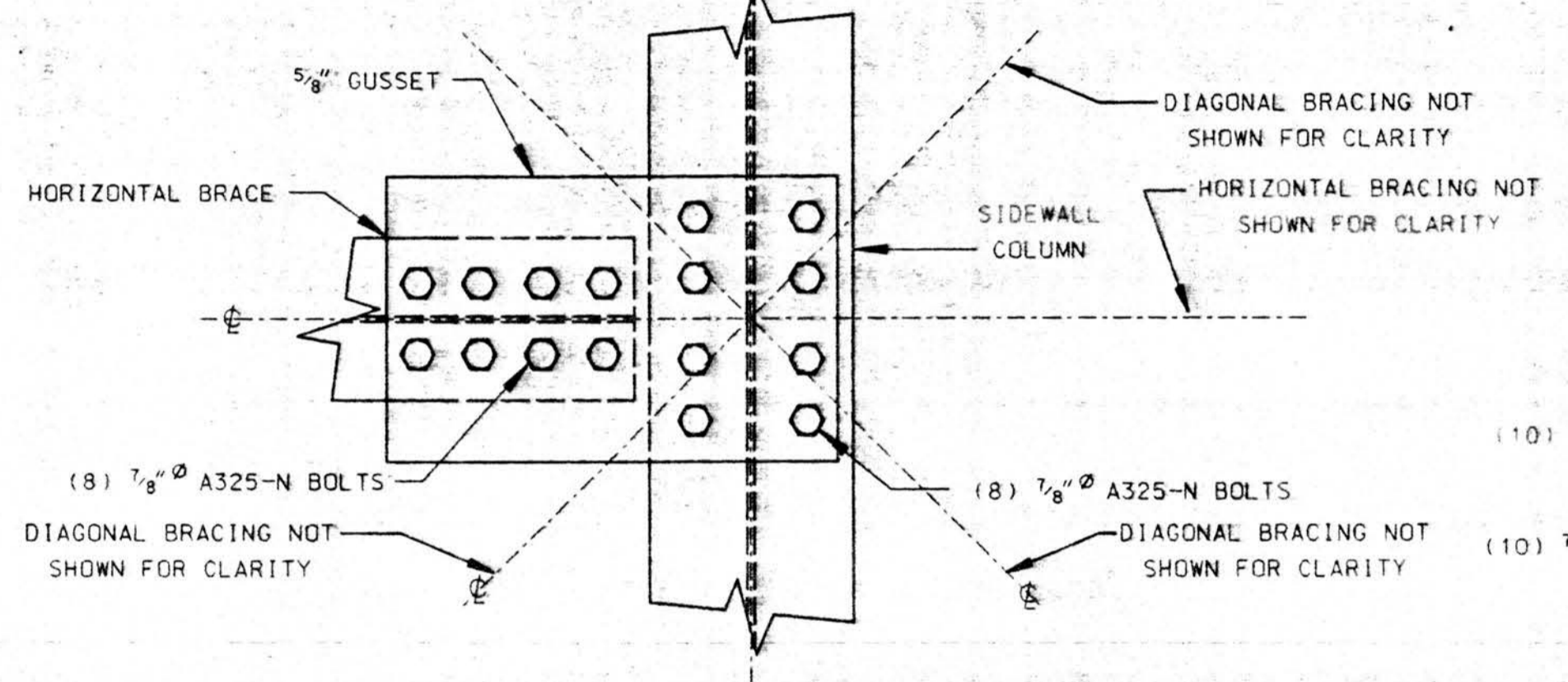
SECTION 9
TYP. E47



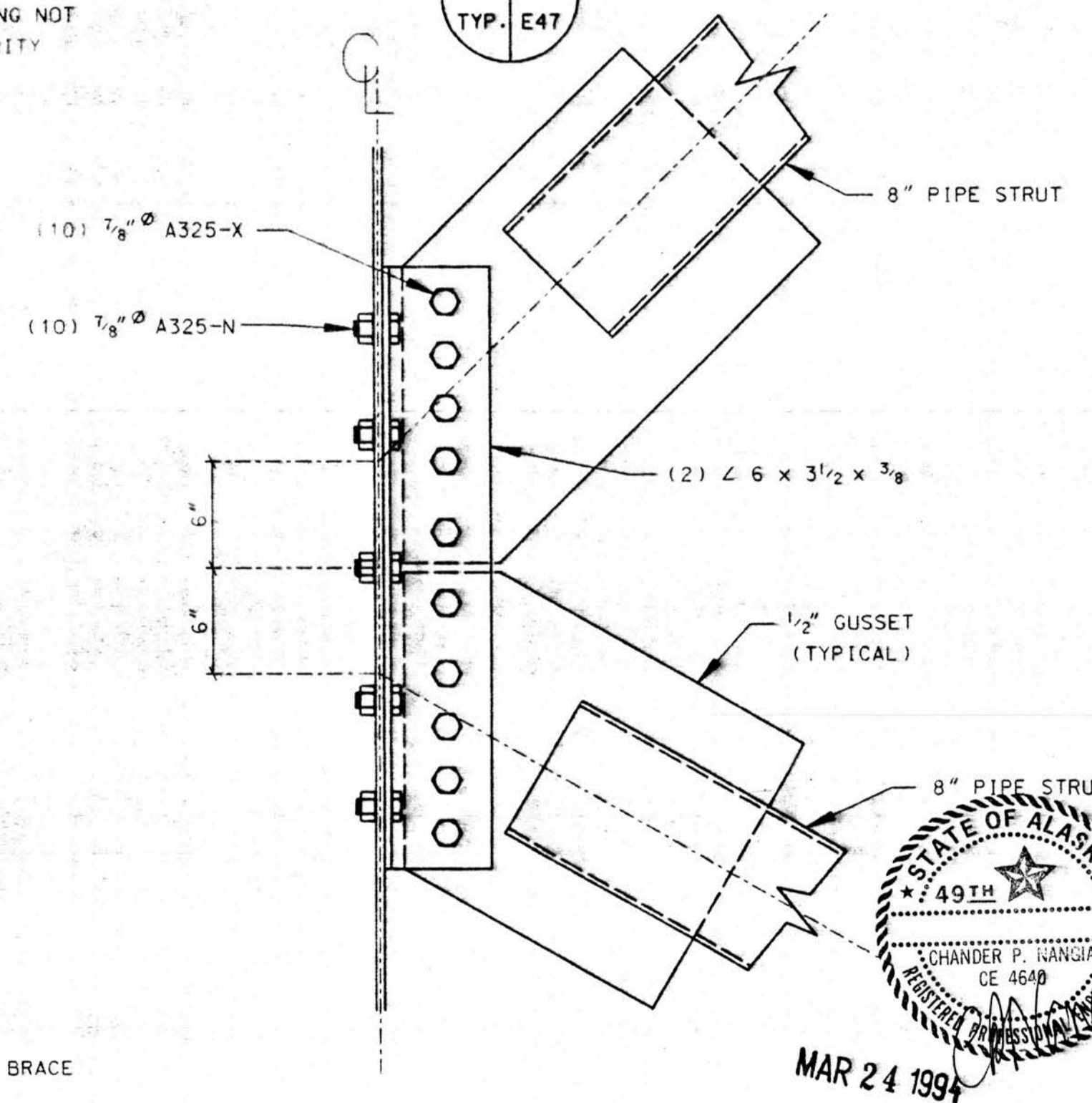
SECTION 2
Exx E47



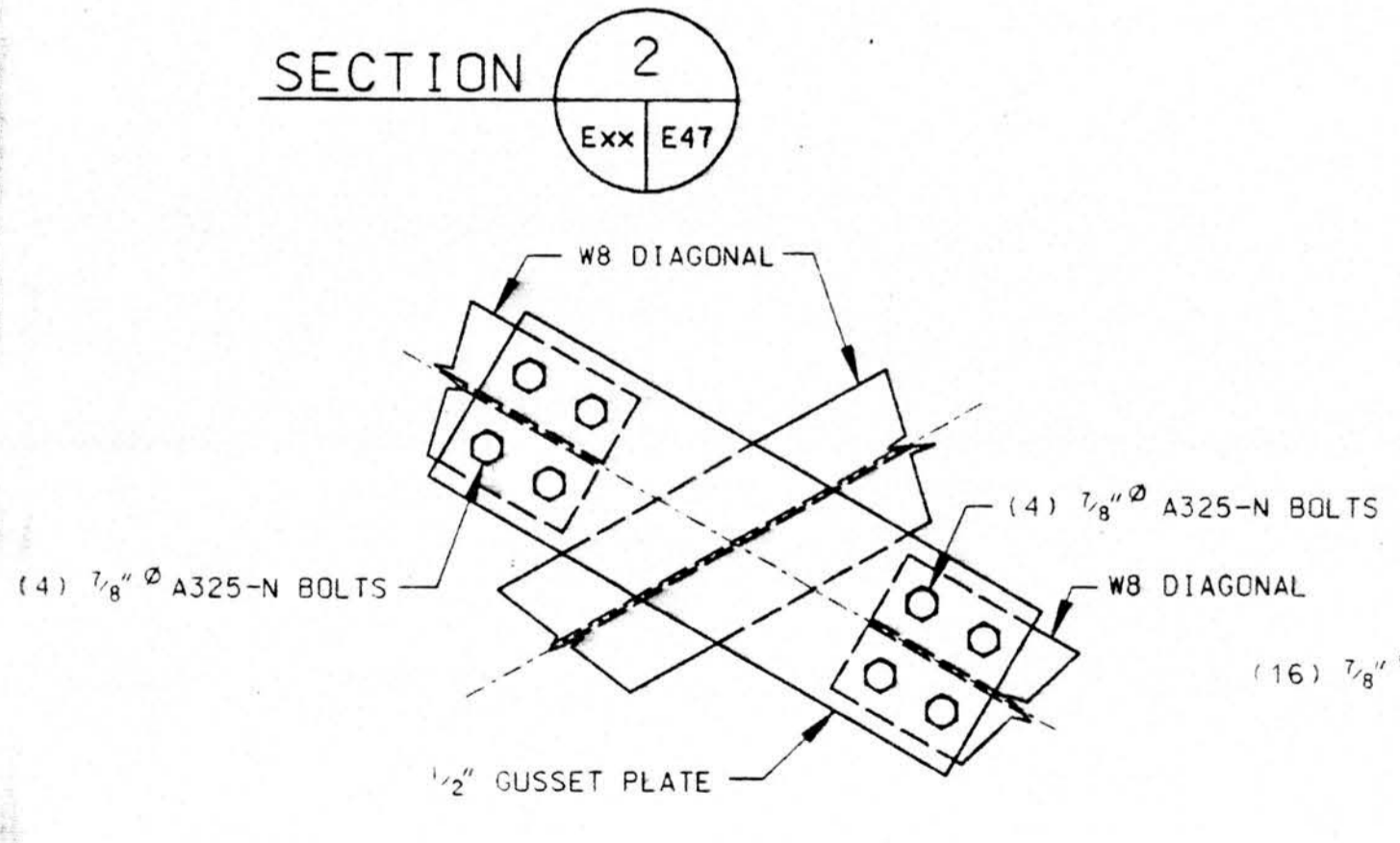
SECTION 5
TYP. E47



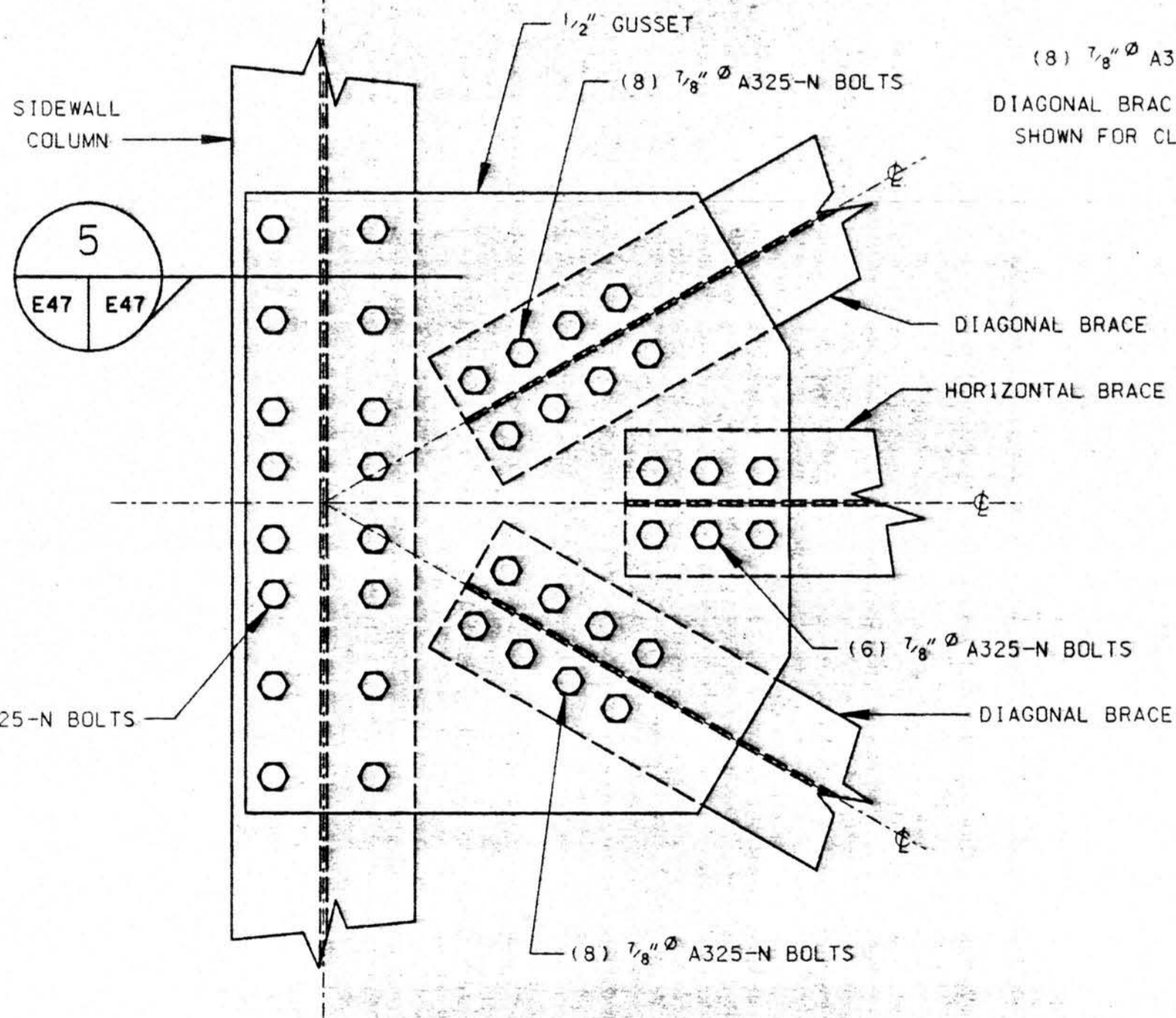
SECTION 8
TYP. E47



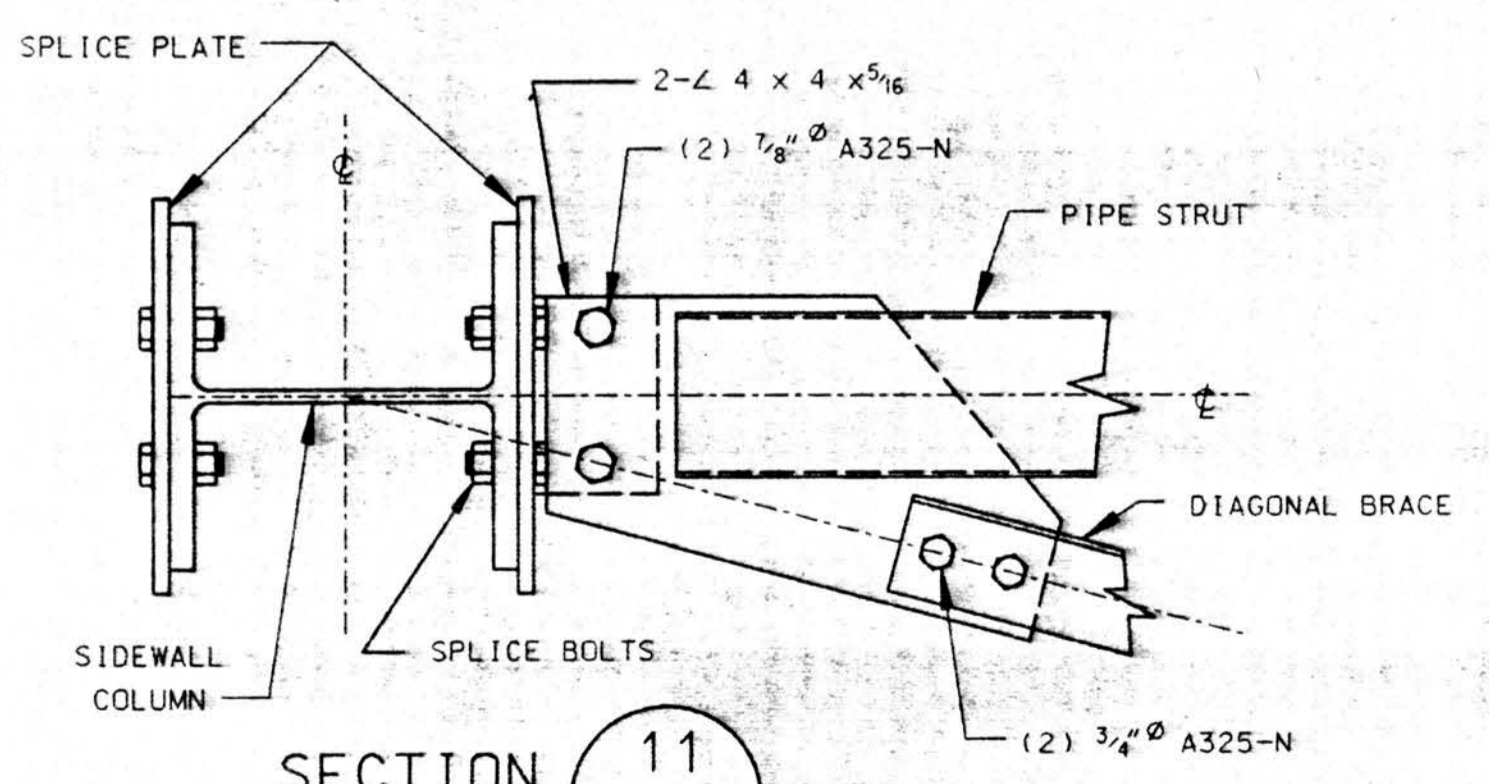
SECTION 12
TYP. E47



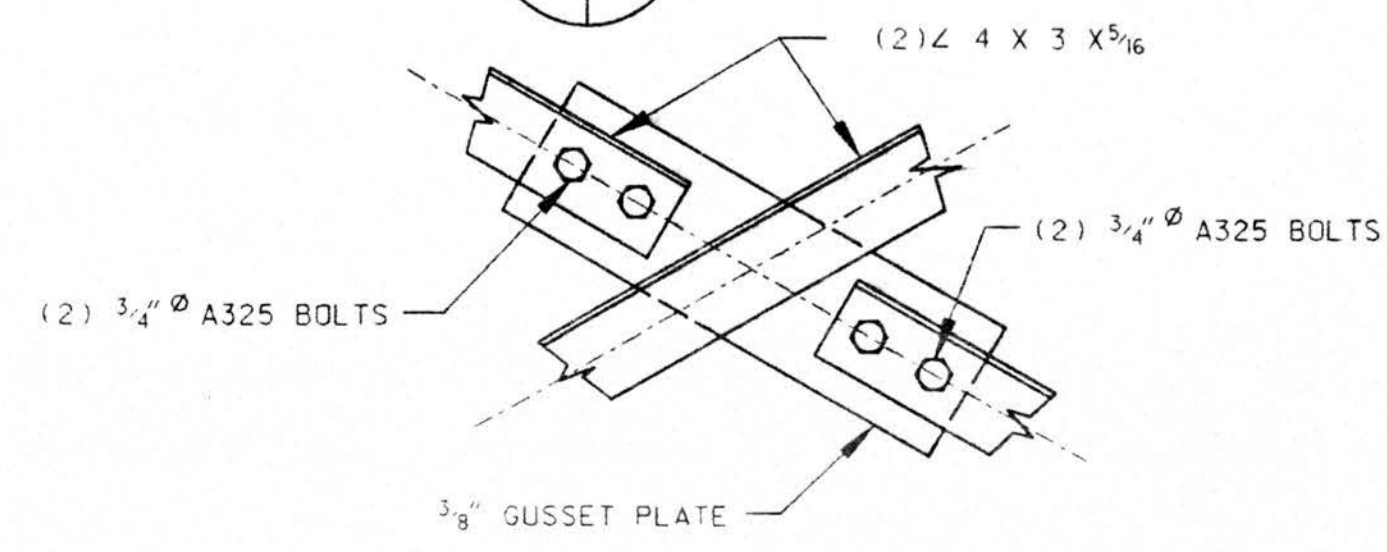
SECTION 3
TYP. E47



SECTION 5
TYP. E47



SECTION 11
TYP. E47



SECTION 10
TYP. E47



SUBMITTAL REVIEW

APPROVED	
OTHER:	
APPROVED AS NOTED	
RETURN FOR RESUBMITTAL	
DISAPPROVED - SEE REMARKS	

Review is only for conformance with the design concept and with the information given in the contract documents. The contractor remains responsible for compliance with all requirements of the contract documents.

FRANK CURT • SHORT • BRUSH ASSOCIATES, P.C.
By *[Signature]* Date APR 26 1994
SUBMITTAL NO. 5126-170A-01-02

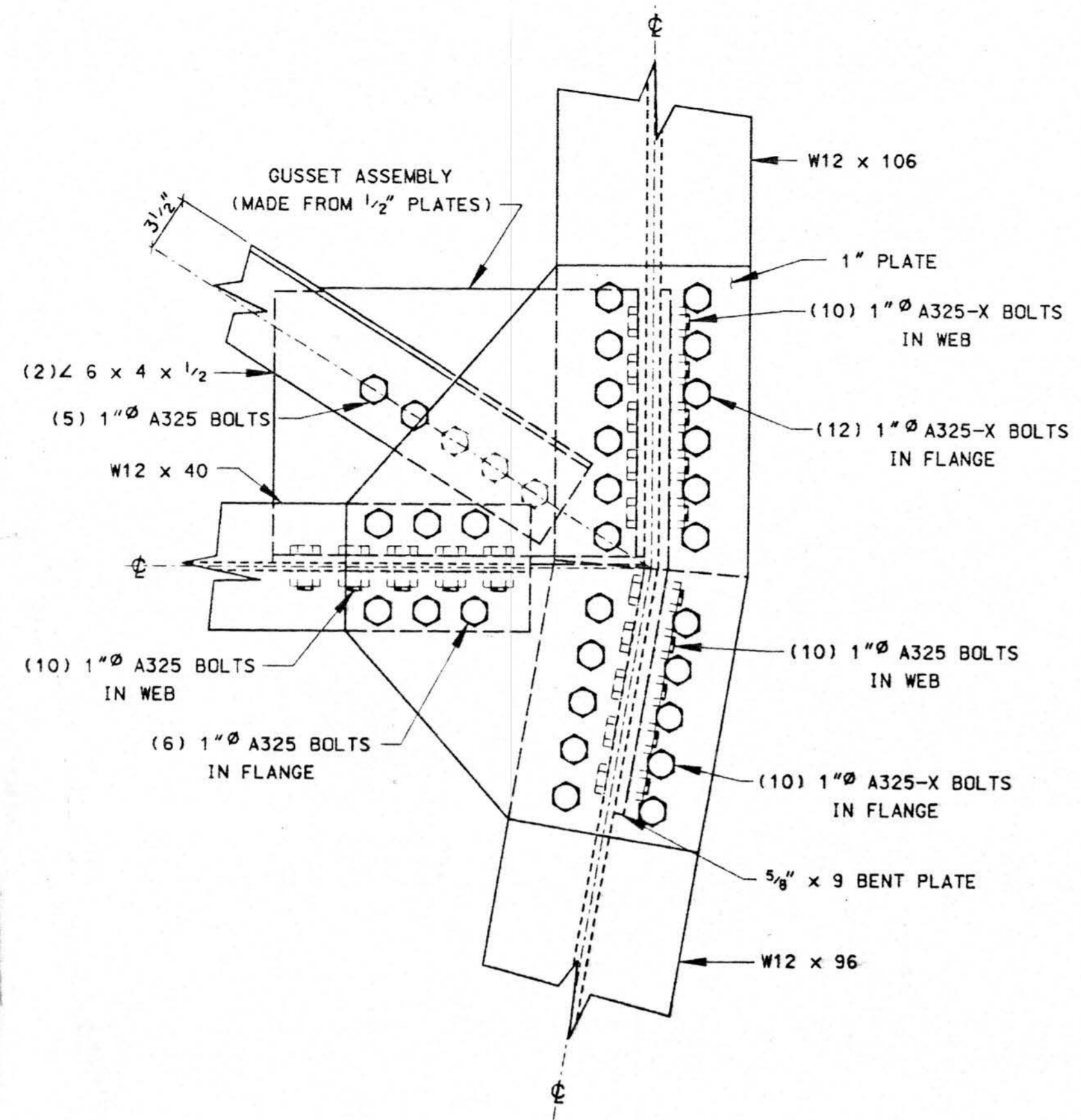
NO.	REVISION	MADE	CHK'D	DATE
A	FOR APPROVAL	LMC		3/94
		LIL	85374	

AMERICAN BUILDINGS COMPANY
Heavy Fabrication Division
Bellaire, Texas

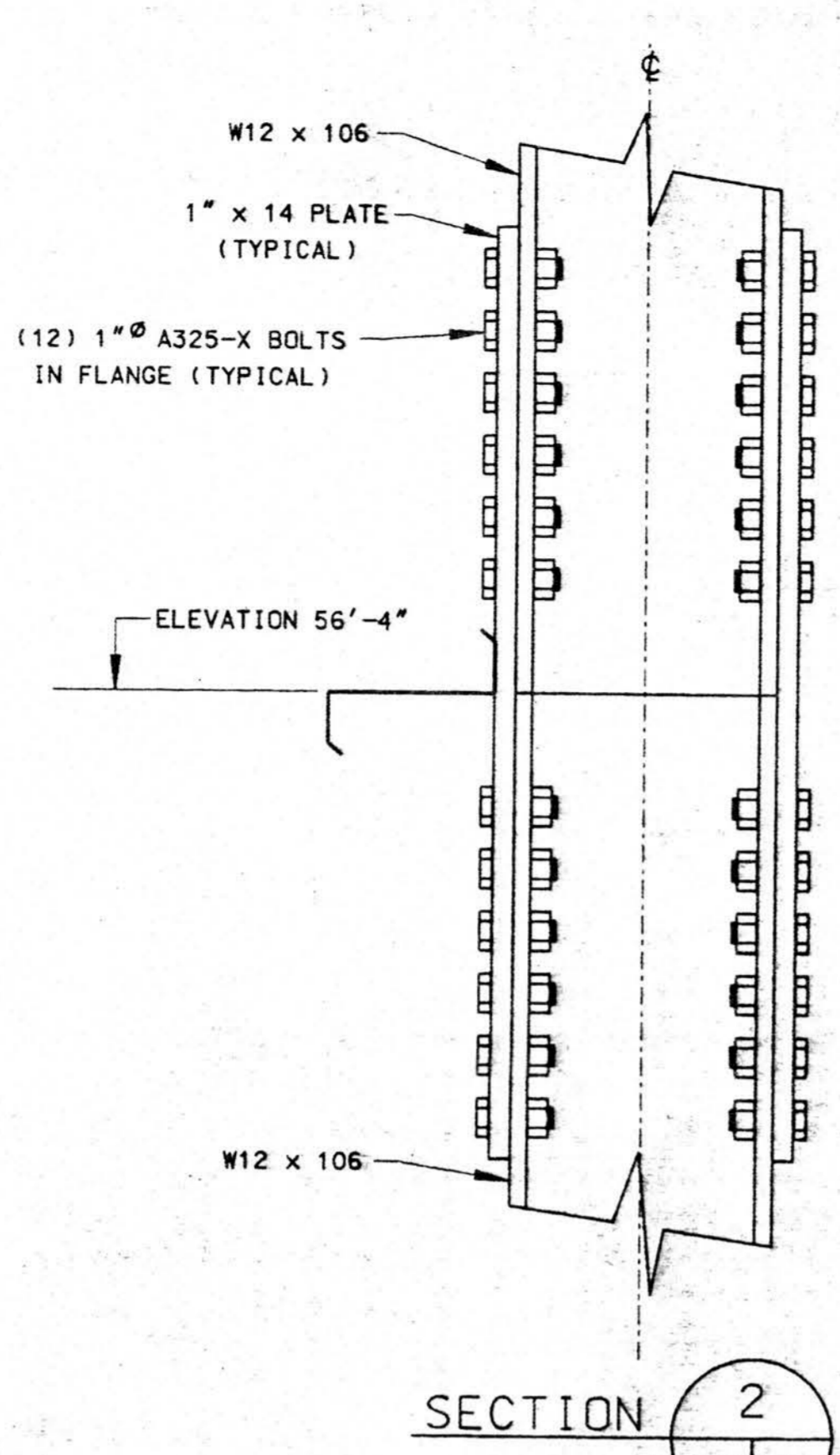
© Copyright 1994
American Buildings Company
All Rights Reserved

Builder: Seattle Construction Services, Inc.
Owner: Alaska Industrial Development and Export Authority
Building: Line Maintenance Hangar
Location: Anchorage, Alaska

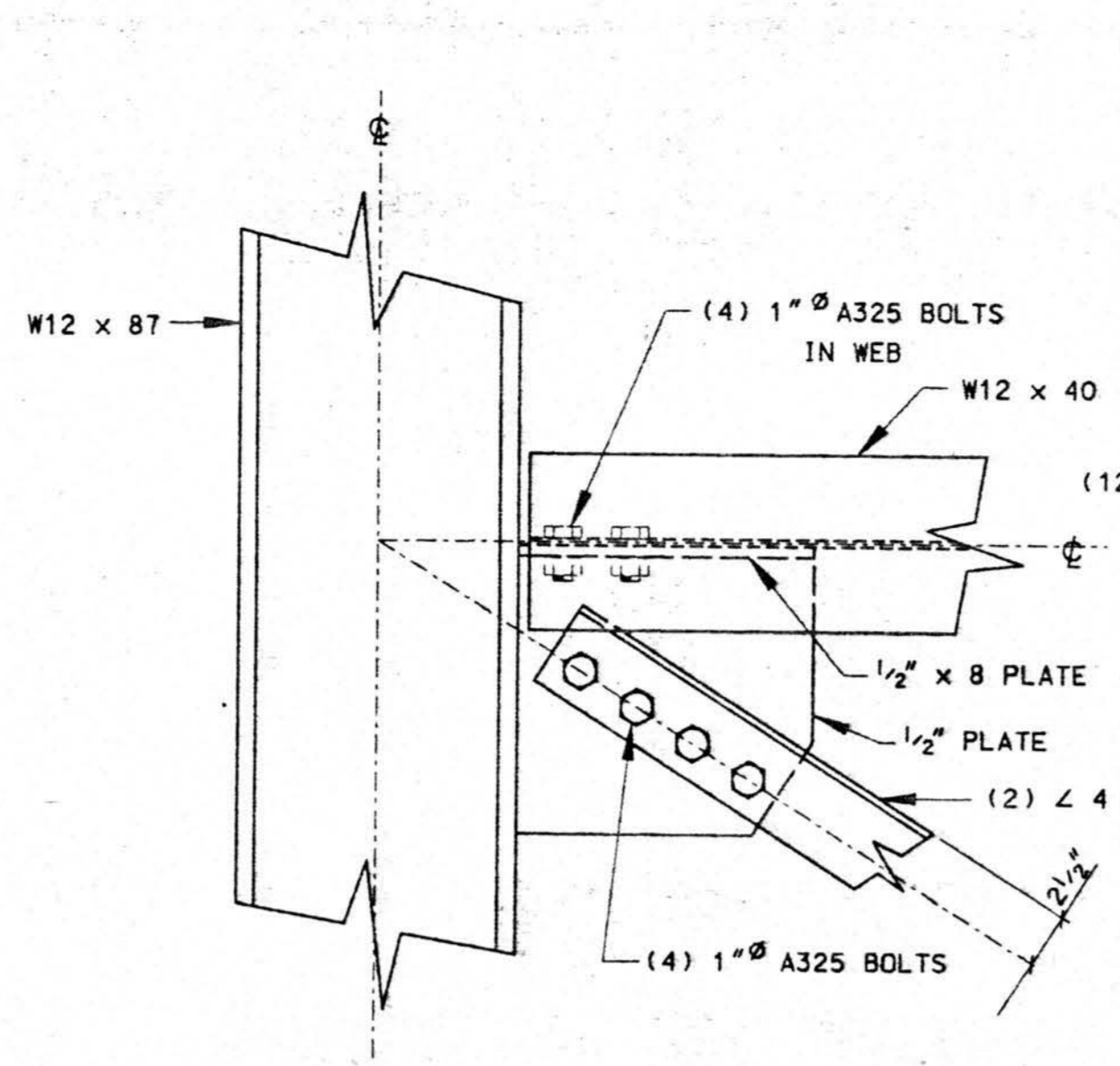
DRAWN BY: LMC JOB NO.: 51-9290
CHECKED BY: DATE 2/94 DWG. E47



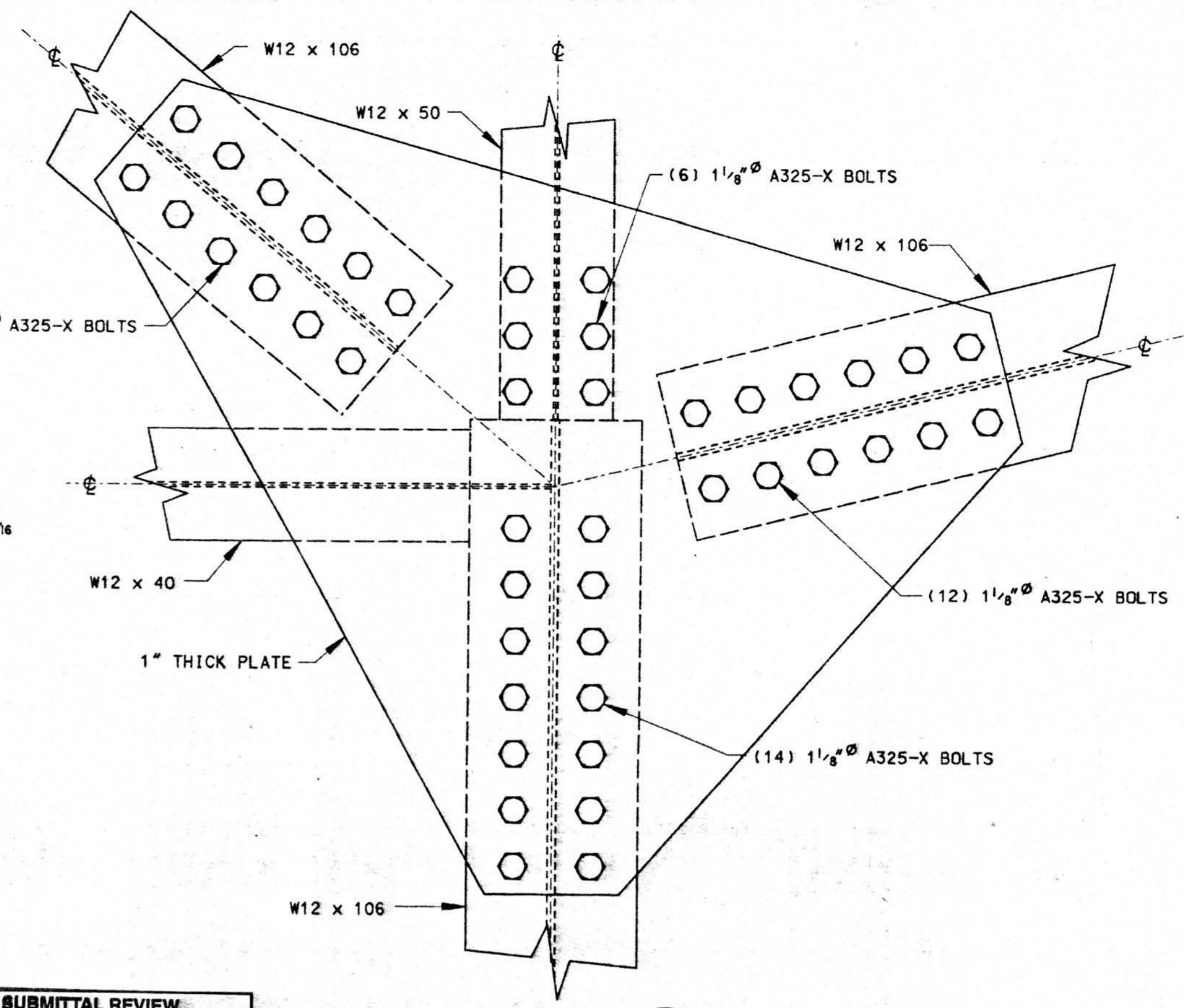
SECTION 1
VARIES E48



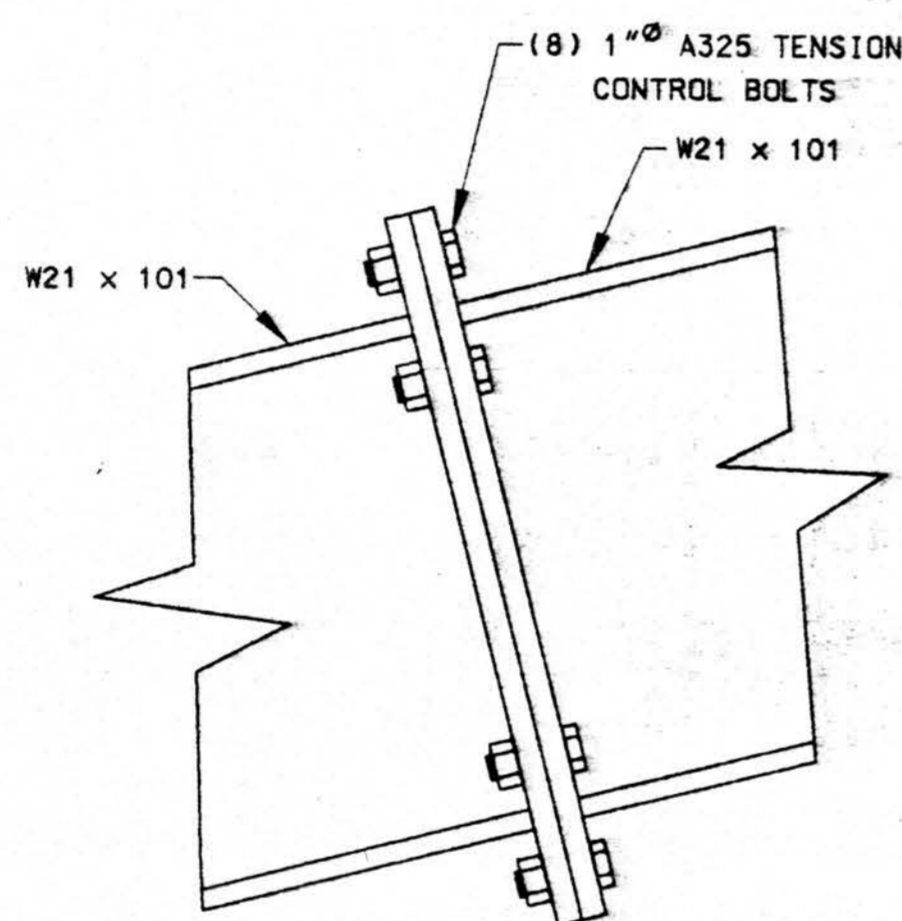
SECTION 2
VARIES E48



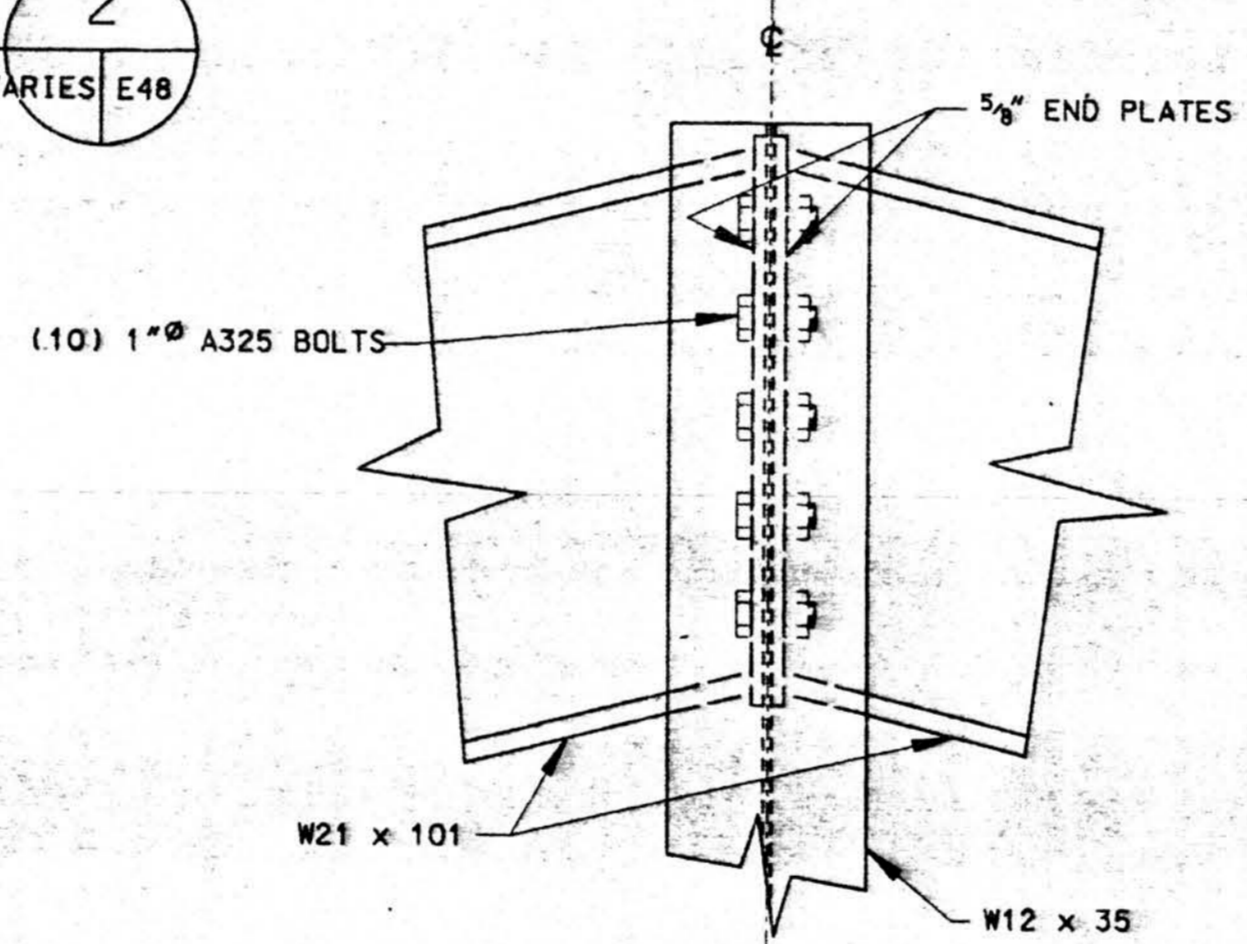
SECTION 3
VARIES E48



SECTION 4
VARIES E48



SECTION 6
VARIES E48

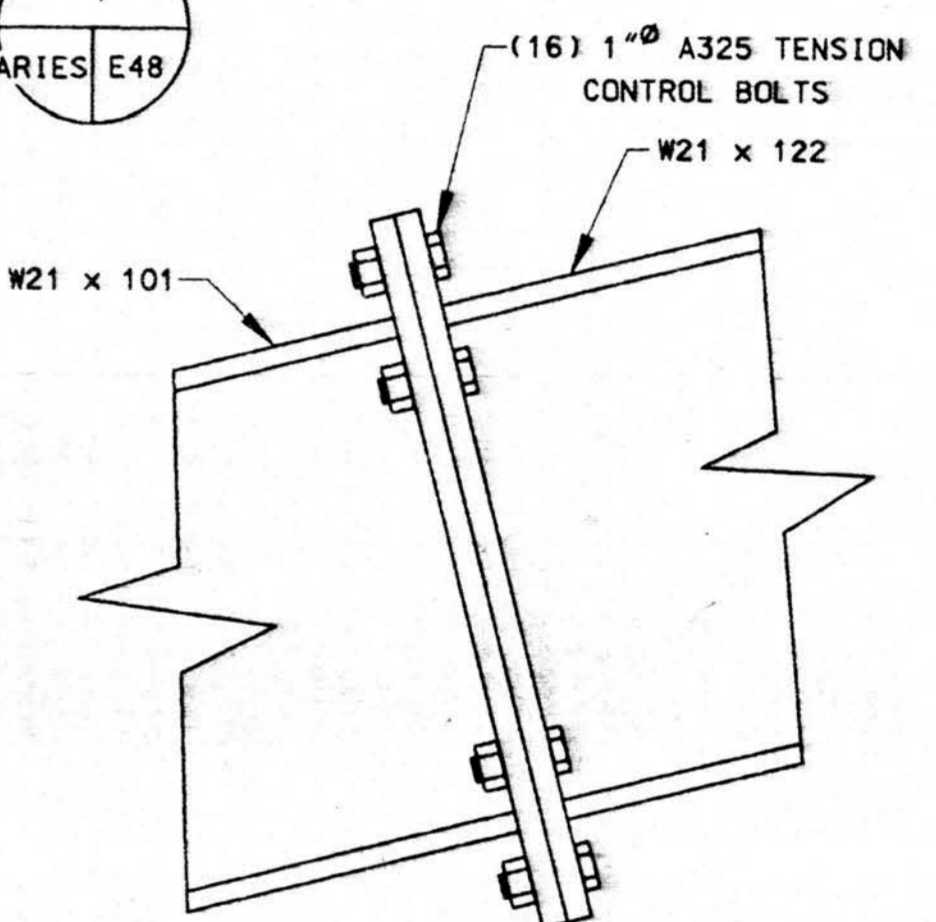


SECTION 7
VARIES E48

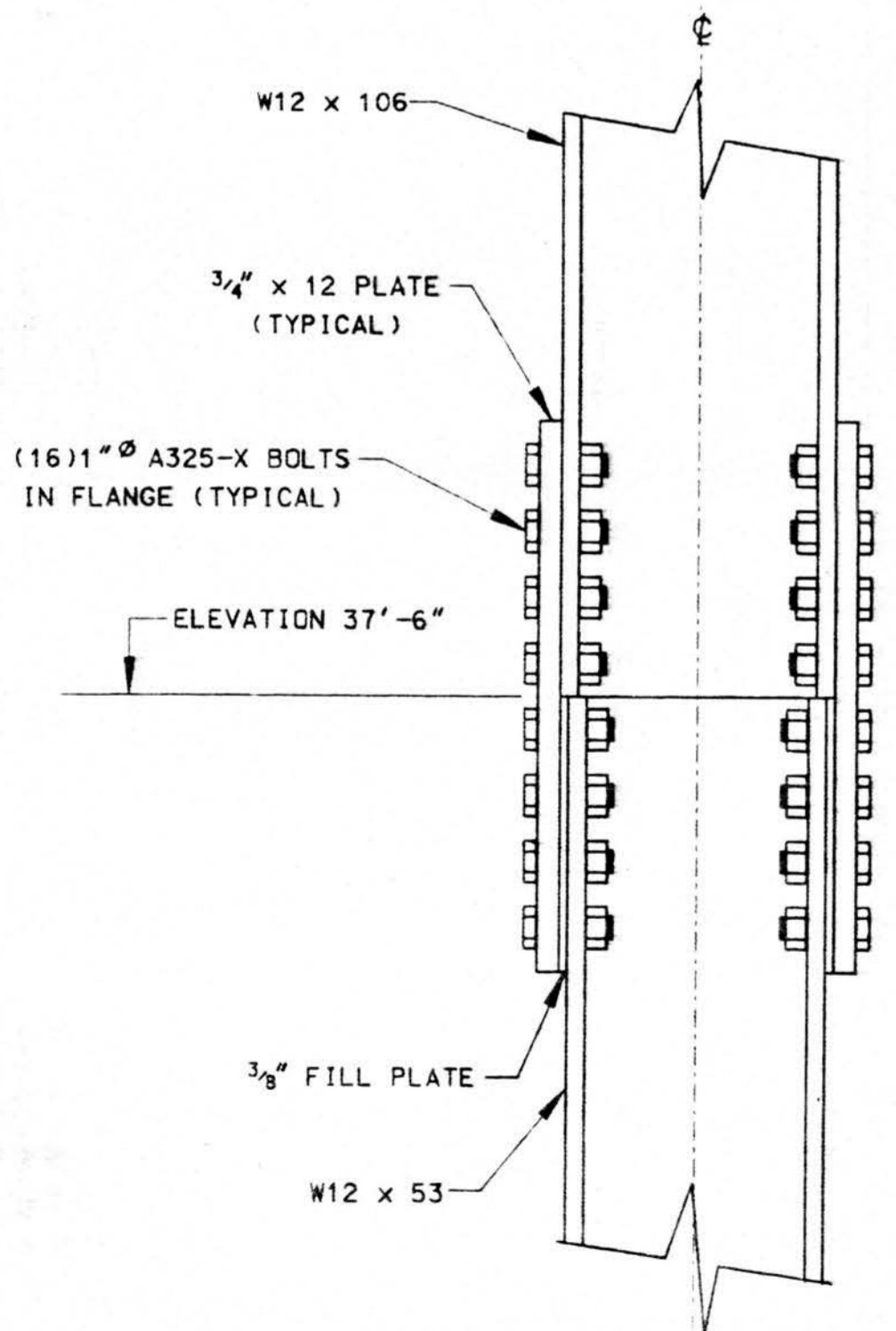
SUBMITTAL REVIEW	
APPROVED	
OTHER:	
APPROVED AS NOTED	
RETURN FOR RESUBMITTAL	
DISAPPROVED - SEE REMARKS	

Review is only for conformance with the design concept and with the information given in the contract documents. The contractor remains responsible for compliance with all requirements of the contract documents.

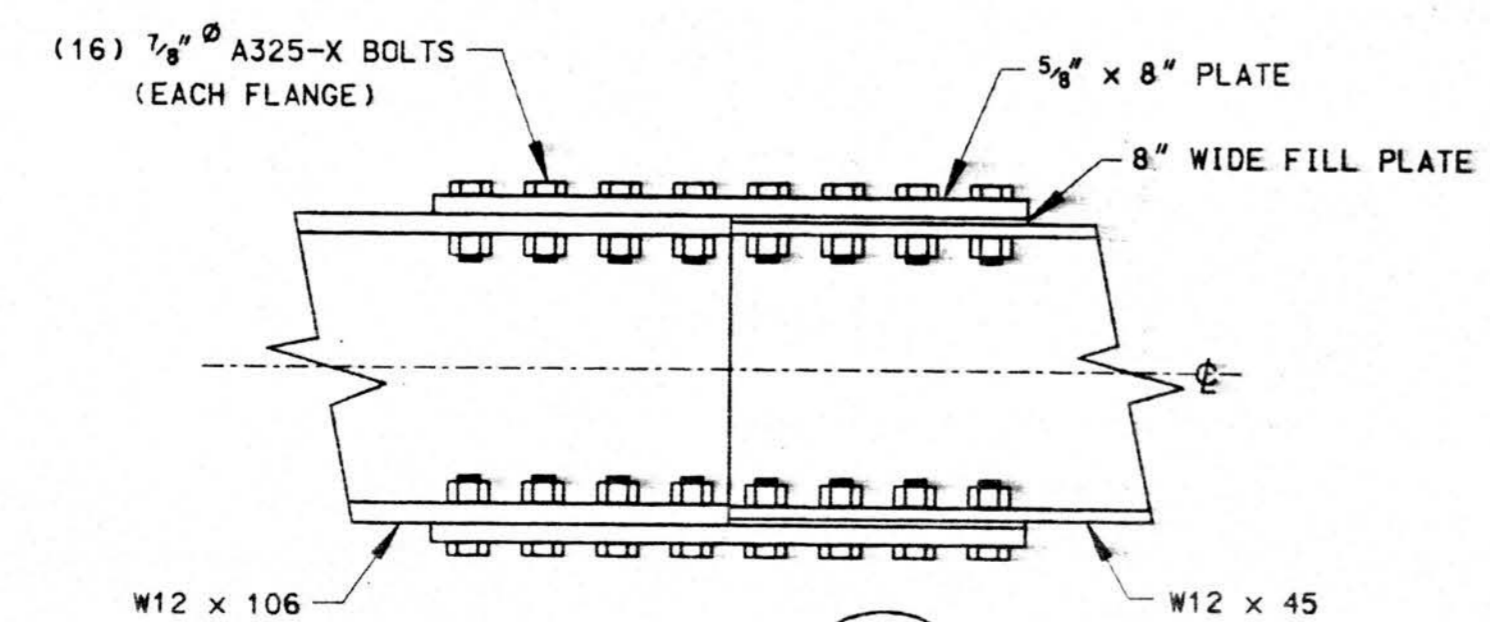
FRANKFURT, SHORT & BRUZA ASSOCIATES, P.C.
By: *[Signature]* Date: 3/26/94
SUBMITTAL NO. 15-9126-13120A-02-02



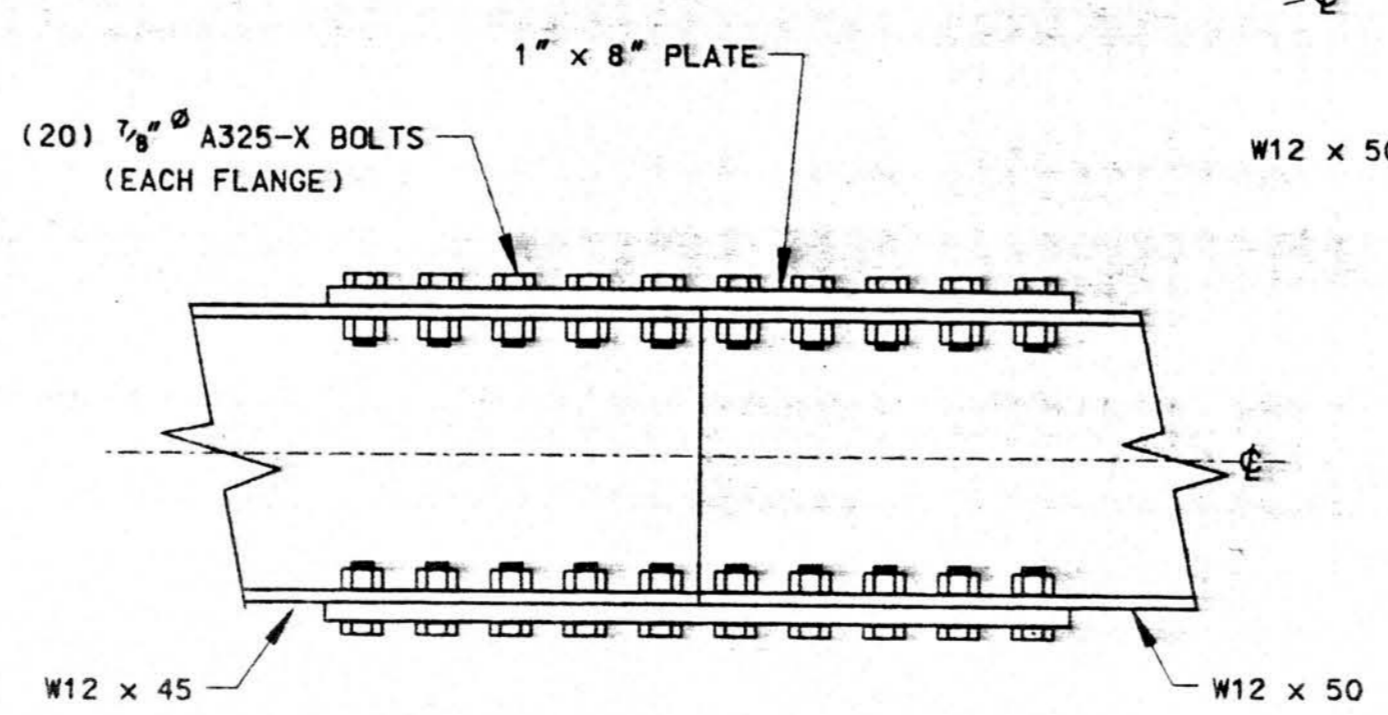
SECTION 1
VARIES E48



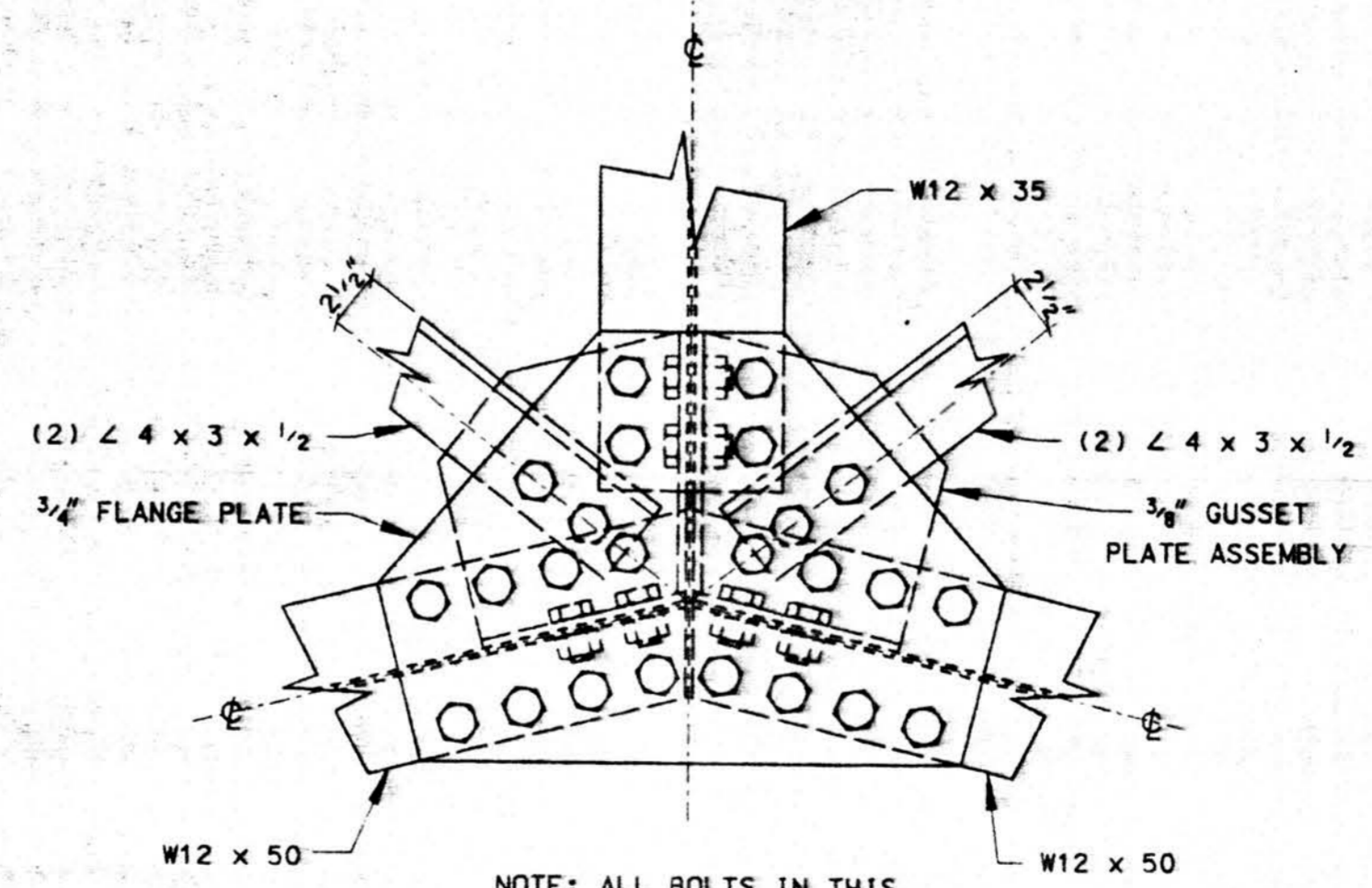
SECTION 5
VARIES E48



SECTION 8
VARIES E48



SECTION 9
VARIES E48



SECTION 10
VARIES E48

NOTE: ALL BOLTS IN THIS SECTION ARE 1" A325

NO.	REVISION	MADE	CHK'D	DATE
A	FOR APPROVAL	LMC		3/94
		LIL	85375	

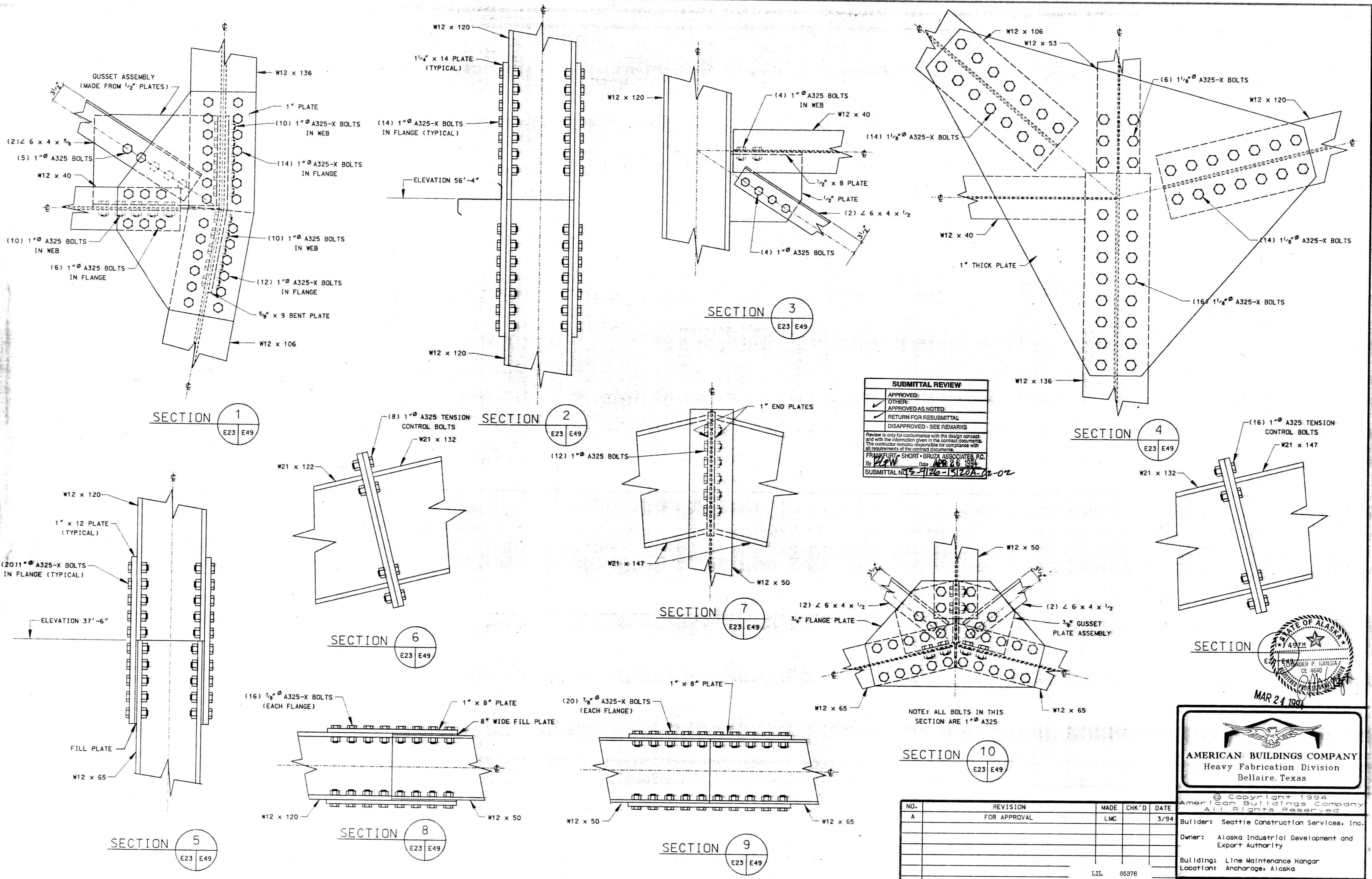
STATE OF ALASKA
MAR 24 1994

AMERICAN BUILDINGS COMPANY
Heavy Fabrication Division
Bellaire, Texas

© Copyright 1994 American Buildings Company All Rights Reserved

Builder: Seattle Construction Services, Inc.
Owner: Alaska Industrial Development and Export Authority
Building: Linc Maintenance Hangar
Location: Anchorage, Alaska

DRAWN BY	LMC	JOB NO.	51-9290
CHECKED BY		DATE	2/94 DWG. E48

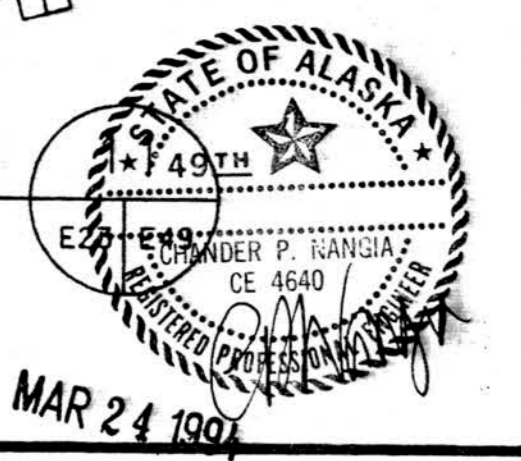


SUBMITTAL REVIEW

<input type="checkbox"/>	APPROVED
<input type="checkbox"/>	OTHER
<input type="checkbox"/>	APPROVED AS NOTED
<input type="checkbox"/>	RETURN FOR RESUBMITTAL
<input type="checkbox"/>	DISAPPROVED - SEE REMARKS

Review is only for conformance with the design concept and with the information given in the contract documents. The contractor remains responsible for compliance with all requirements of the contract documents.

FRANKFURT-SHORT-BRUZA ASSOCIATES, P.C.
 By: *[Signature]* Date: APR 26 1994
 SUBMITTAL NO. 9120-15120A-10-02



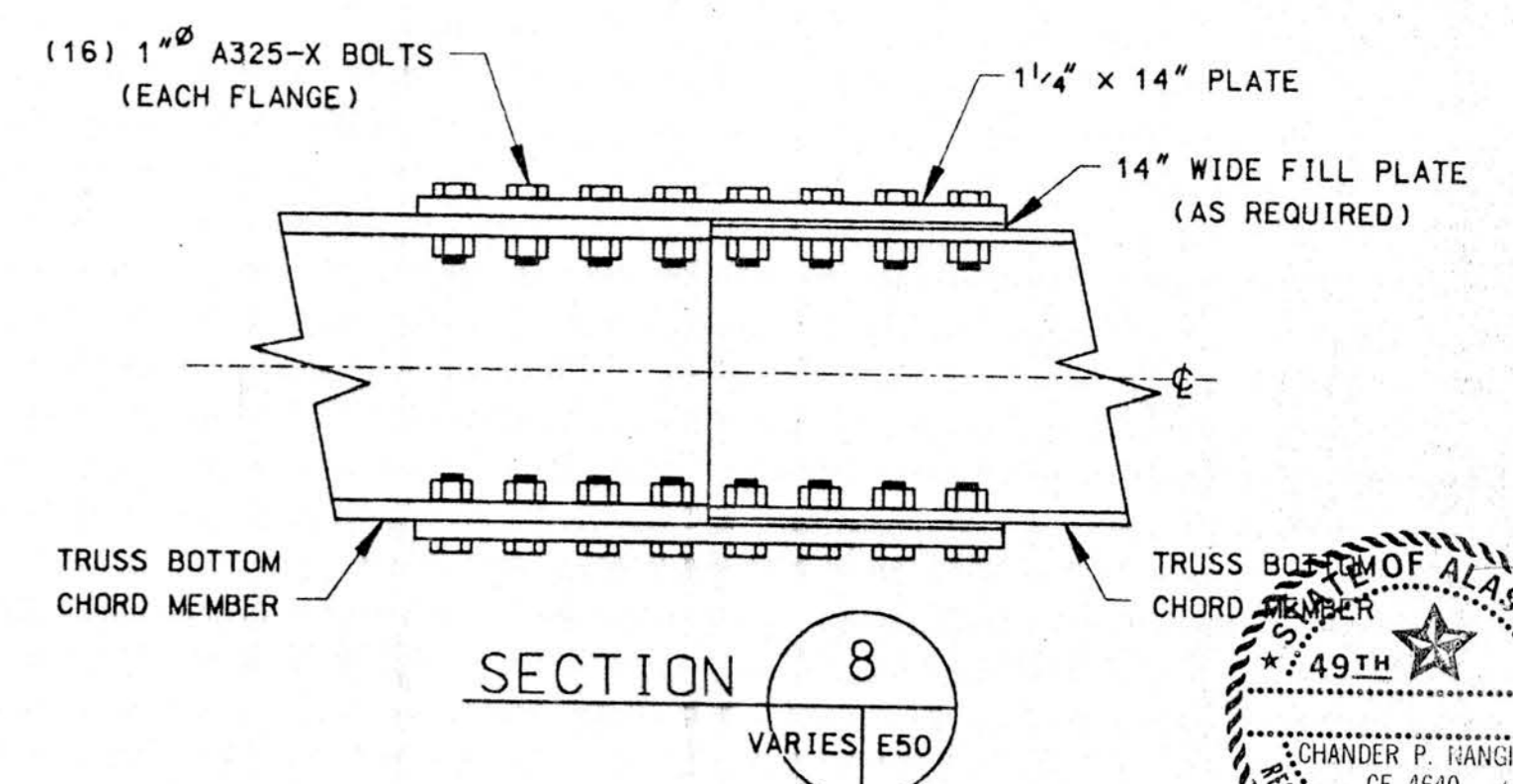
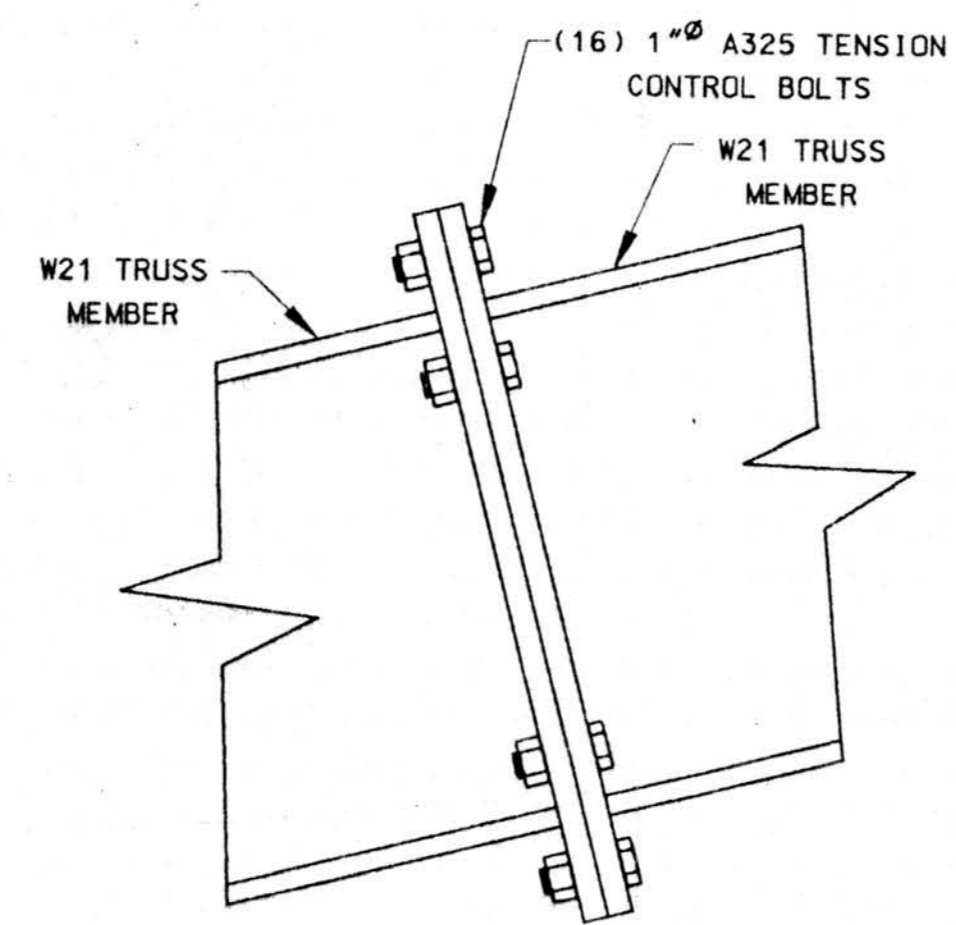
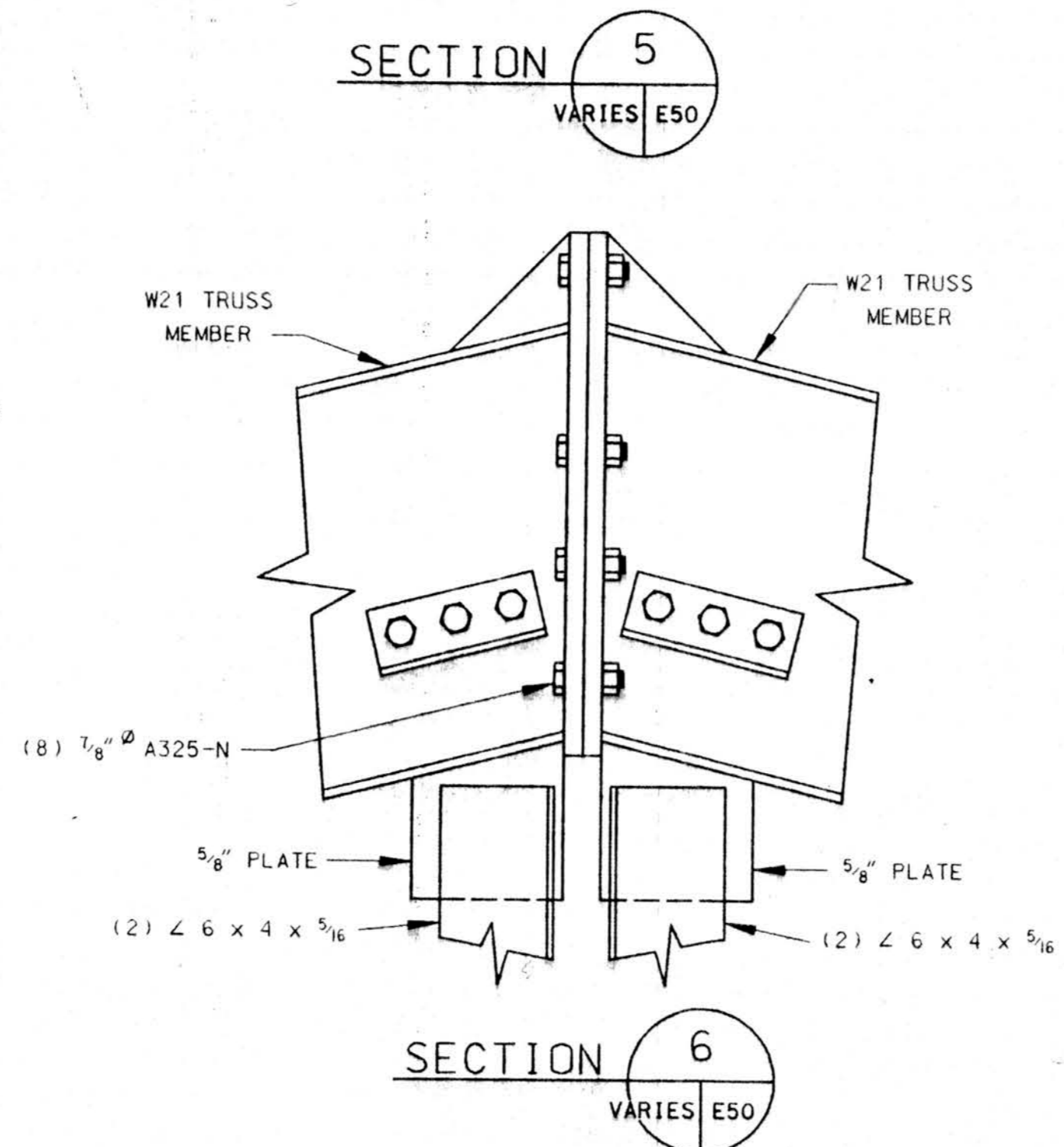
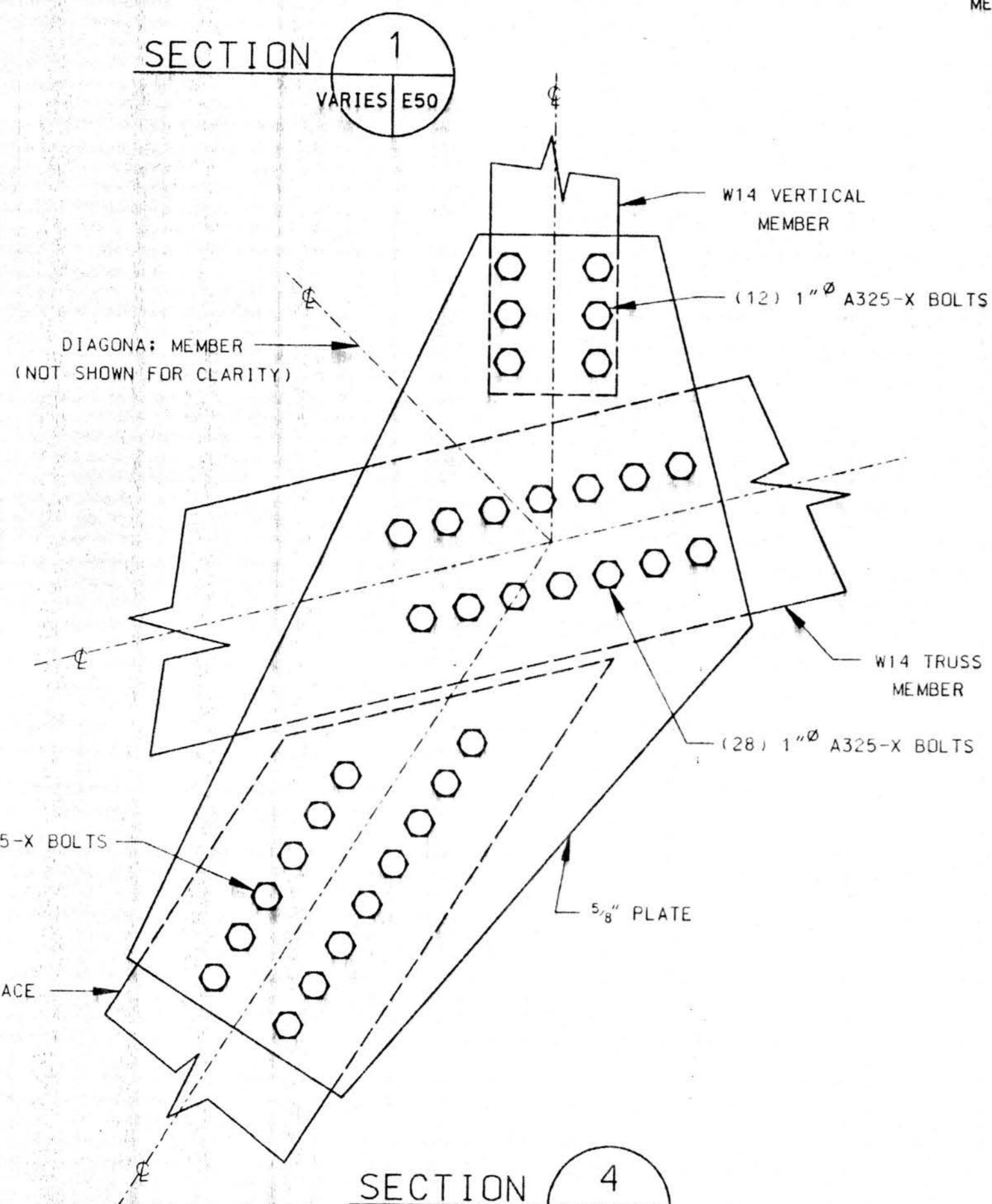
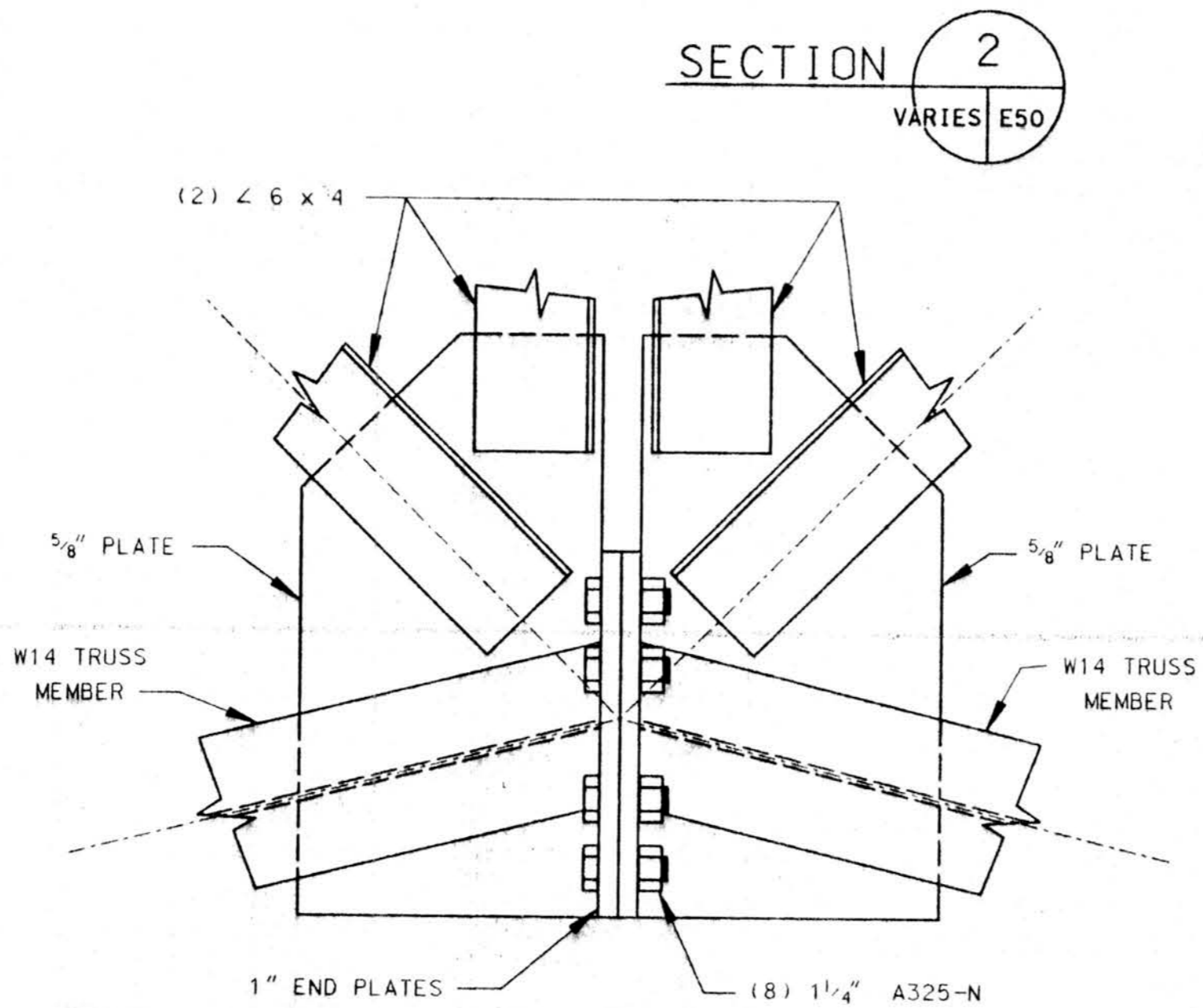
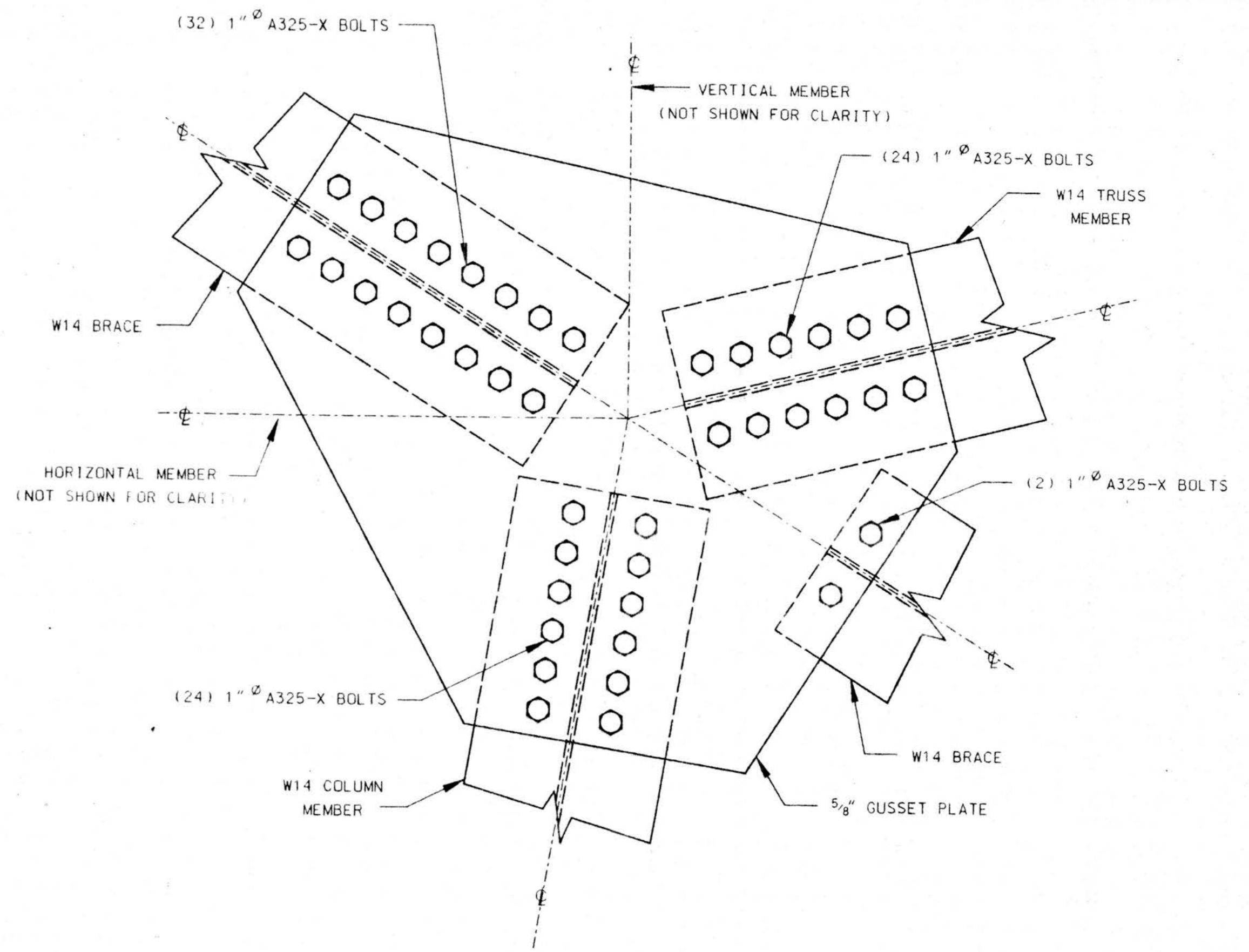
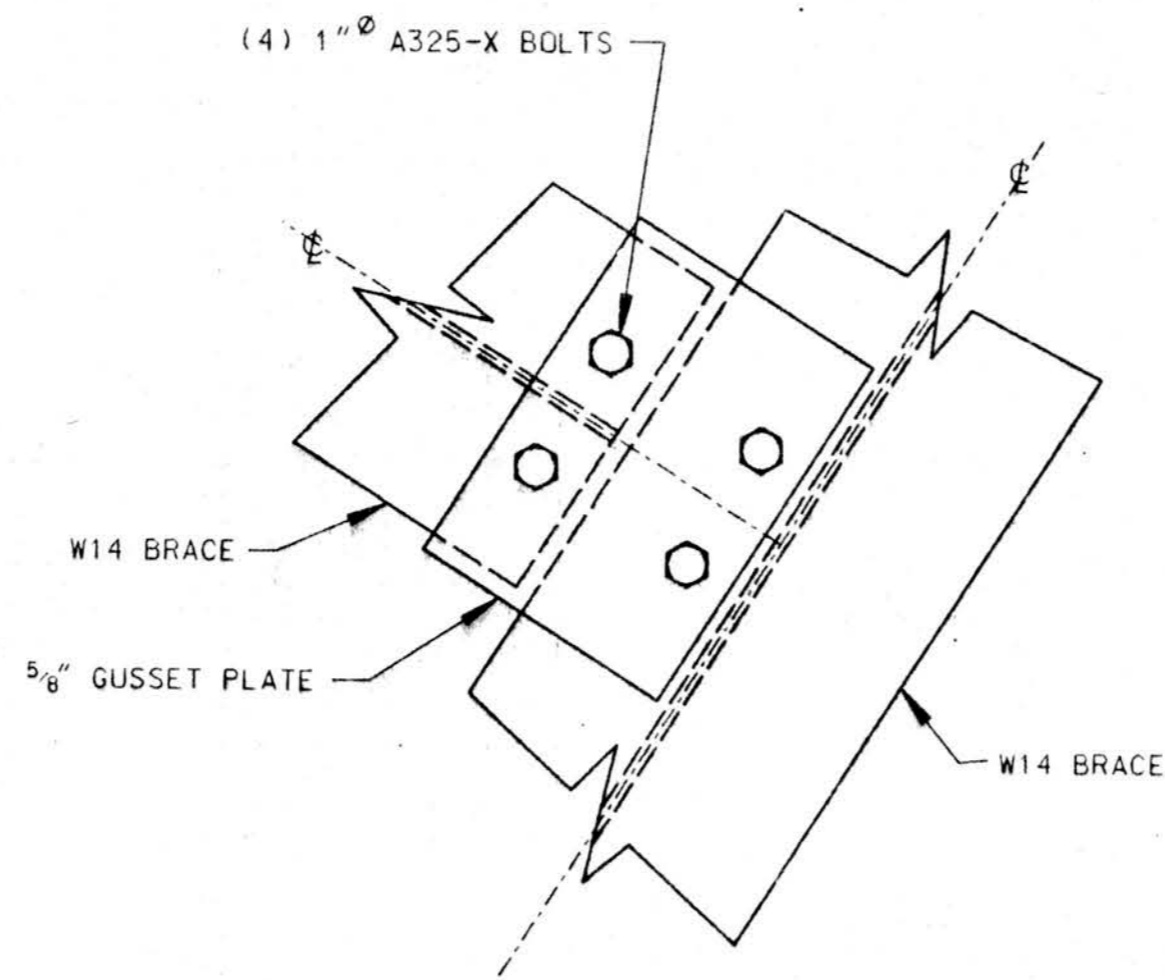
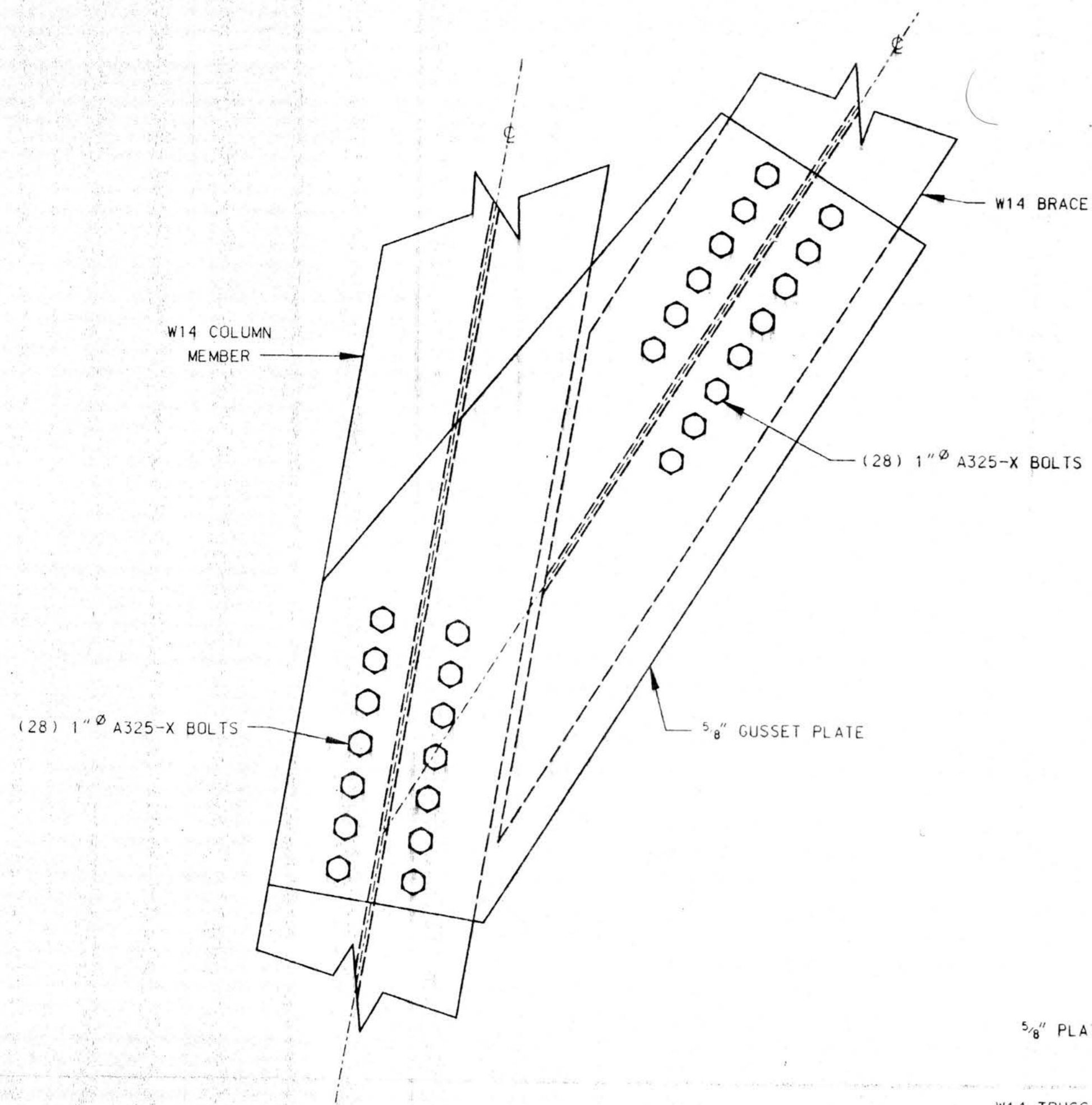
AMERICAN BUILDINGS COMPANY
 Heavy Fabrication Division
 Bellaire, Texas

© Copyright 1994 American Buildings Company All Rights Reserved

Builder: Seattle Construction Services, Inc.
 Owner: Alaska Industrial Development and Export Authority
 Building: Line Maintenance Hangar
 Location: Anchorage, Alaska

DRAWN BY	LMC	JOB NO.	51-9290
CHECKED BY		DATE	2/94 DWG. E49

NO.	REVISION	MADE	CHK'D	DATE
A	FOR APPROVAL	LMC		3/94
		LIL	85376	



SUBMITTAL REVIEW	
APPROVED	
OTHER:	
APPROVED AS NOTED	
RETURN FOR RESUBMITTAL	
DISAPPROVED - SEE REMARKS	

Review is only for conformance with this design concept and with the information given in the contract documents. The contractor remains responsible for compliance with all requirements of the contract documents.

FRANKFURT - SHORT - BRUNN ASSOCIATES, P.C.
By: [Signature] Date: MAR 26 1994
SUBMITTAL NO. 95-9120-5120A-02-02



NO.	REVISION	MADE	CHK'D	DATE
A	FOR APPROVAL	LMC		3/94

AMERICAN BUILDINGS COMPANY
Heavy Fabrication Division
Bellaire, Texas

© Copyright 1994
American Buildings Company
All Rights Reserved

Builder: Seattle Construction Services, Inc.
Owner: Alaska Industrial Development and Export Authority
Building: Line Maintenance Hangar
Location: Anchorage, Alaska

DRAWN BY: LMC JOB NO.: 51-9290
CHECKED BY: DATE 2/94 DWG. E50